



2VPRu15 200V (115V)

P17-A2 p



DATA SHEET

release. a - Revision 05-2017

Voltage	Frequency	Input Power	Input Current	Capacitor	Airflow	Rotation speed	Acoustic level	Direction rotation	Admissible Temperature
V	Hz	W	A	µF	m³/h	RPM	dBA		Min/Max
115	50	64	0,61	6,0	860	2465	56	R	-40°C / +70°C
115	60	75	0,66	6,0	935	2700	59	R	-40°C / +70°C
115	50				506 CFM				-40°F / 158°F
115	60				550 CFM				-40°F / 158°F



dBA : free blowing

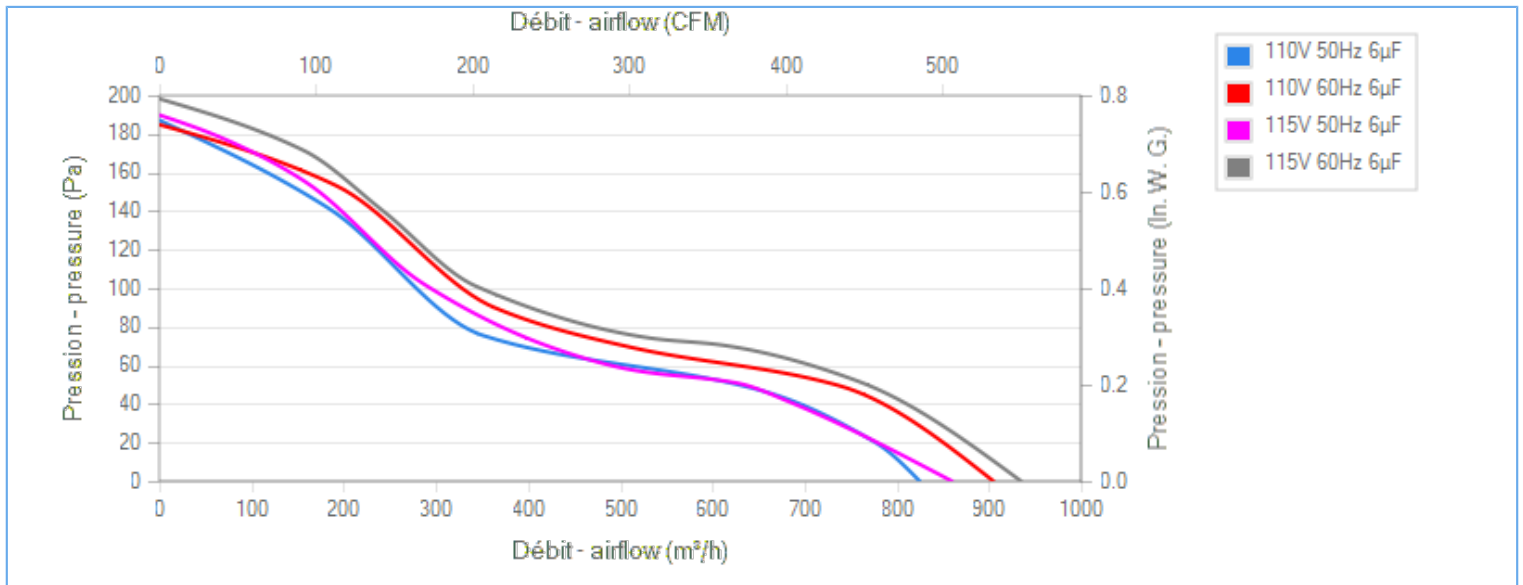
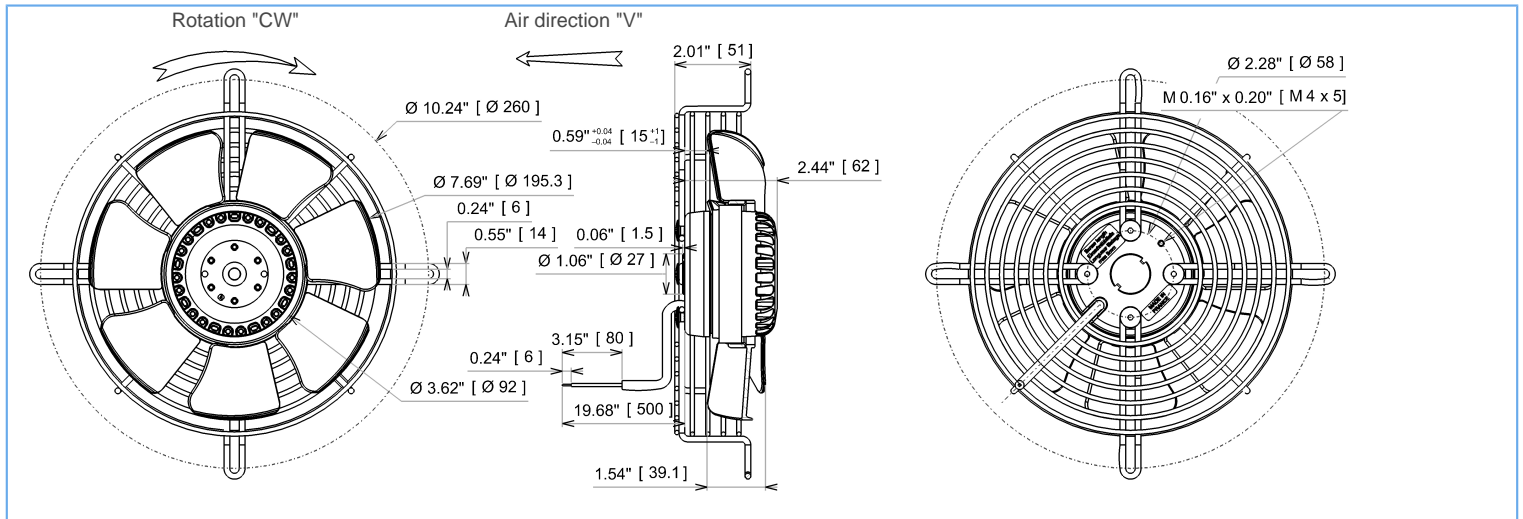
NA : not applicable

ErP 2013

NA

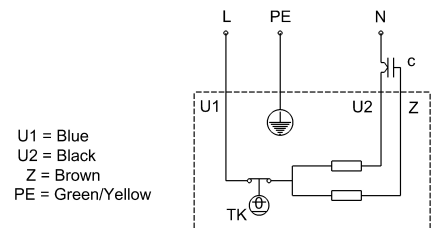
ErP 2015

NA



Description

- .Weight : 2,3 Kg
- .Ball bearing
- .Class F, thermally protected
- .IP44 protection depending on installation and position as per EN60034-5
- .G6.3 balancing
- .Plastic impeller PA 6/6
- .Rotor and impeller : black paint
- .Basket finger guard : black paint
- .Motor - UL Recognized component



Non contractual document. All specifications are subject to change without prior notice. Picture for information only.



2VPRu15 200V (115V)

P17-A2 p



DATA SHEET

release. a - Revision 05-2017

Data in accordance to ErP directive

Voltage	115	V
Frequency	50	Hz
Power	0,067	kW ⁽¹⁾
Airflow	626	m ³ /h ⁽¹⁾
Pressure	51	Pa ⁽¹⁾
Rotation speed	2402	RPM ⁽¹⁾
(1) at optimal efficiency point		

ErP directive (EU 2009/125/EC) not applicable :
Power at optimum energy efficiency point

Accessories

- 19221
- 19221
- 39658
- 09172

Measurement setup

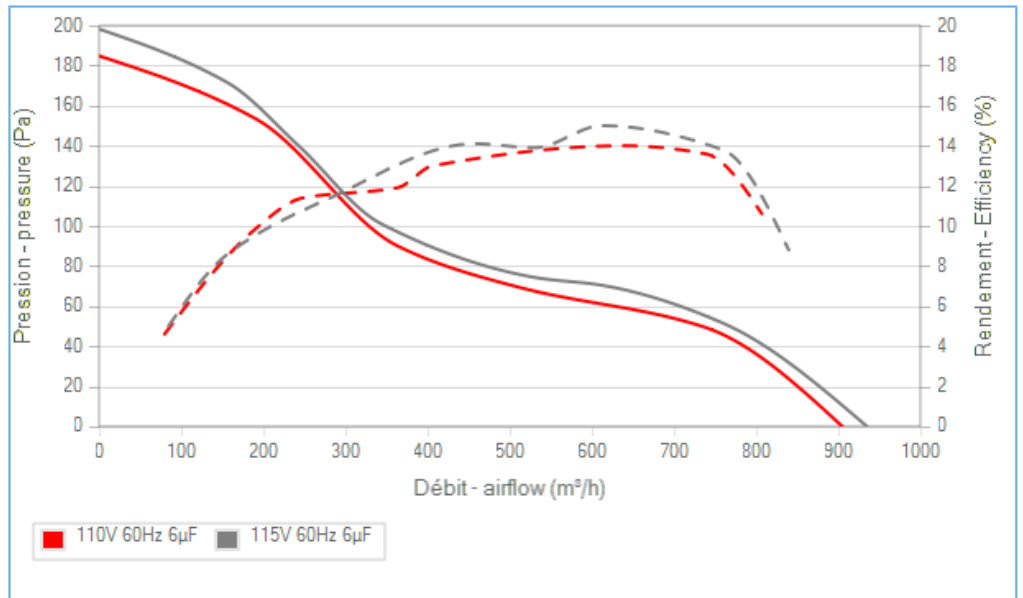
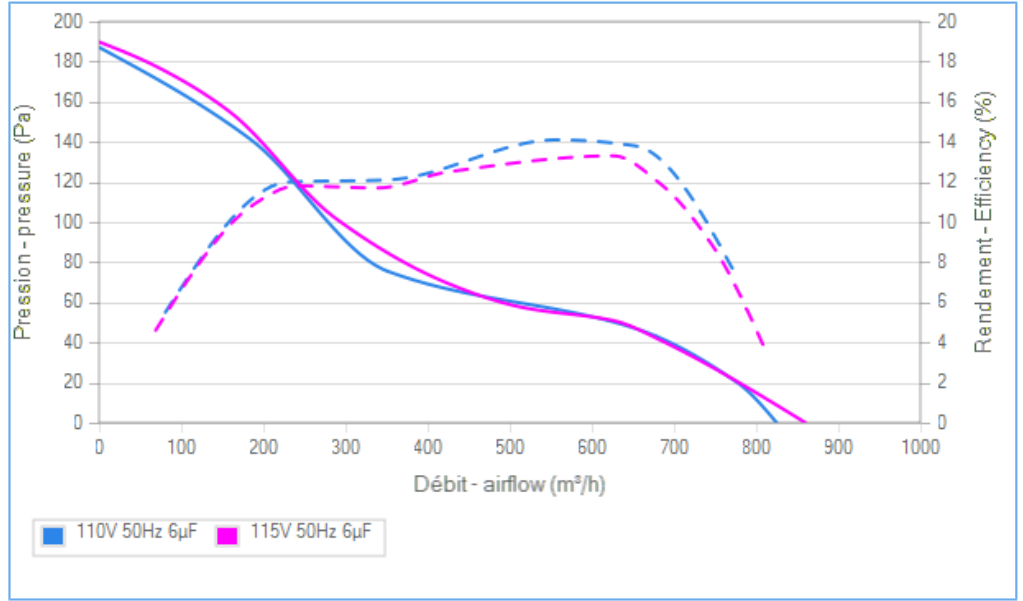
16084 VIROLE V200 RONDE

Documents

- Manuel d'utilisation
www.ecofit.com/site/normes
- Operating and recycling manual
www.ecofit.com/anglais/normes



UL2111 (XEWR2,8)
N° file E135223
2RS915



Non contractual document. All specifications are subject to change without prior notice. Picture for information only.