



2VGVu15 200V

J41-A2 p



**DATA SHEET**

release. c - Revision 04-2016

Voltage	Frequency	Input Power	Input Current	Capacitor	Airflow	Rotation speed	Acoustic level	Direction rotation	Admissible Temperature
V	Hz	W	A	µF	m³/h	RPM	dBA	↻	Min/Max
230	50	66	0,29	2,0	850	2520	57	R	-40°C / +70°C
230	60	80	0,36	2,0	940	2760	60	R	-40°C / +70°C
230	50				500 CFM				-40°F / 158°F
230	60				553 CFM				-40°F / 158°F



dBA : free blowing

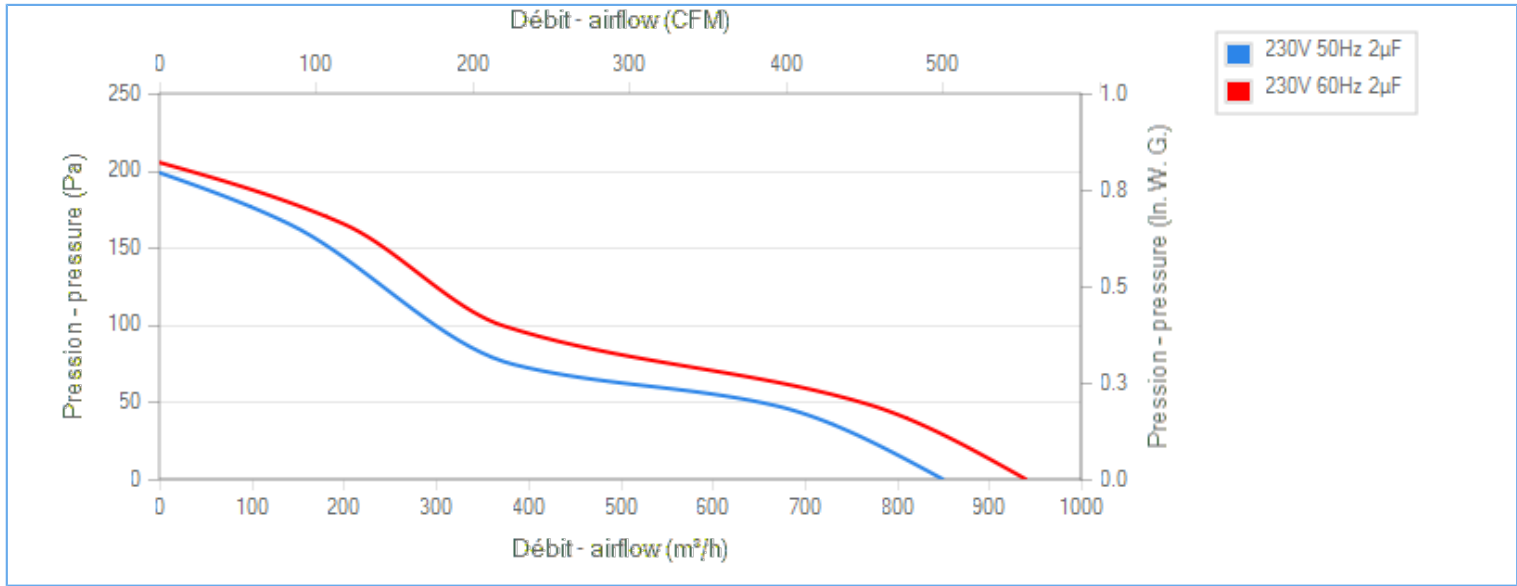
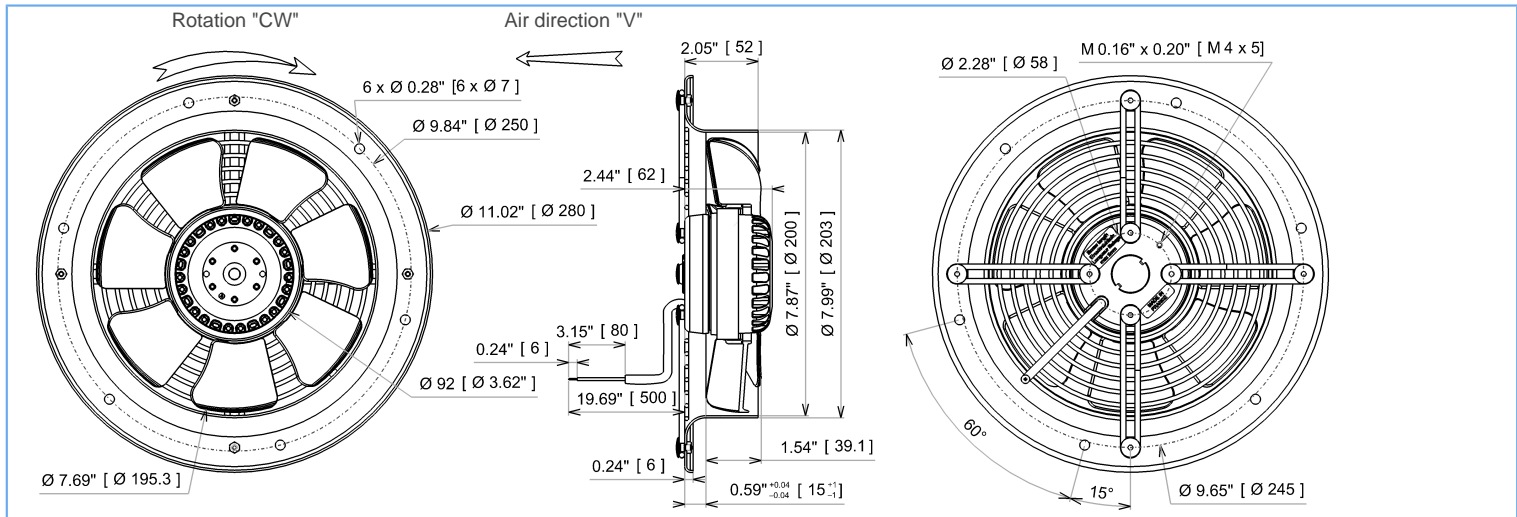
NA : not applicable

ErP 2013

NA

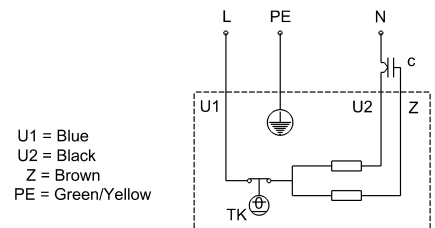
ErP 2015

NA



**Description**

- .Weight : 2,2 Kg
- .Ball bearing
- .Class F, thermally protected
- .IP44 protection depending on installation and position as per EN60034-5
- .G6.3 balancing
- .Plastic impeller PA 6/6 UL94 V0
- .Rotor : black paint
- .Finger guard and ring : black paint
- .Motor - UL Recognized component



Non contractual document. All specifications are subject to change without prior notice. Picture for information only.



2VGVu15 200V

J41-A2 p



# DATA SHEET

release. c - Revision 04-2016

## Data in accordance to ErP directive

Voltage	230	V
Frequency	50	Hz
Power	0,069	kW <sup>(1)</sup>
Airflow	597	m <sup>3</sup> /h <sup>(1)</sup>
Pressure	56	Pa <sup>(1)</sup>
Rotation speed	2460	RPM <sup>(1)</sup>

(1) at optimal efficiency point

ErP directive (EU 2009/125/EC) not applicable :  
Power at optimum energy efficiency point

## Accessories

- 19217
- 19217
- 39658
- 09172

## Measurement setup

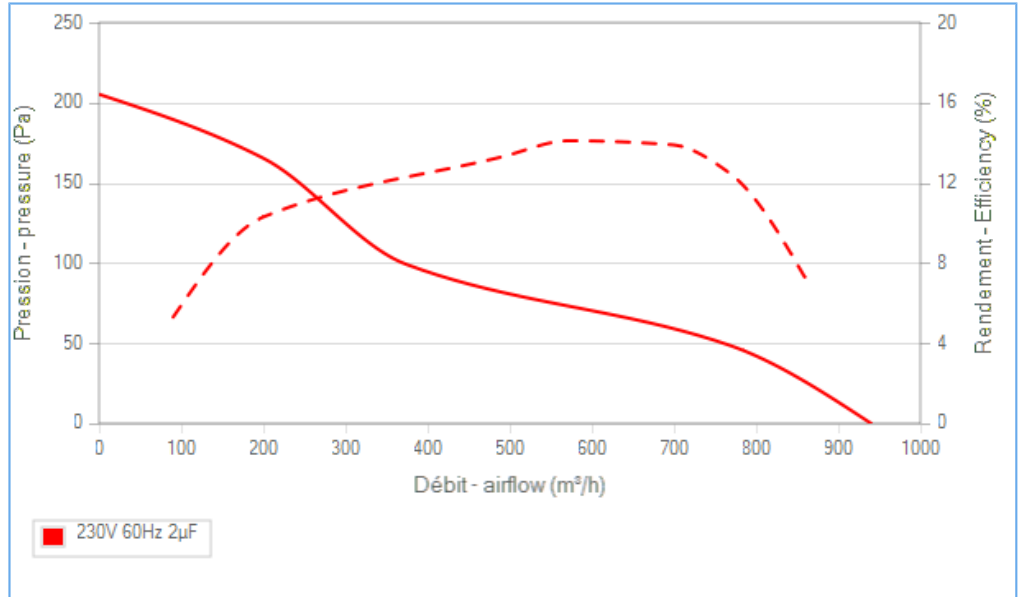
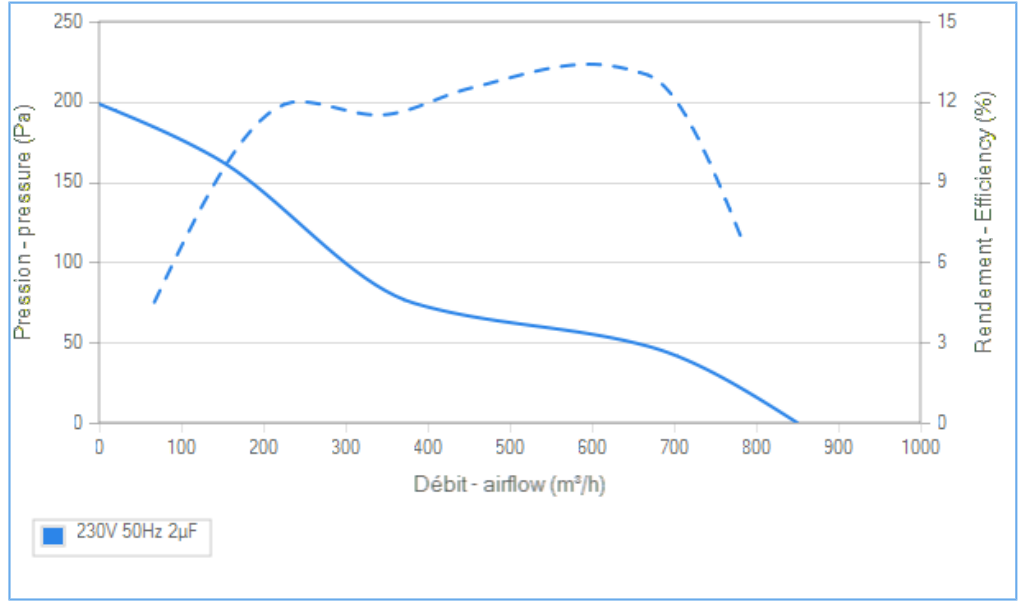
16084 VIROLE V200 RONDE

## Documents

- Manuel d'utilisation  
[www.ecofit.com/site/normes](http://www.ecofit.com/site/normes)
- Operating and recycling manual  
[www.ecofit.com/anglais/normes](http://www.ecofit.com/anglais/normes)



UL2111 (XEWR2,8)  
N° file E135223  
2RS915



Non contractual document. All specifications are subject to change without prior notice. Picture for information only.