



2TREuA3 108x52R

M35-A2



**DATA SHEET**

release. 0 - Revision 09-2017

Voltage	Frequency	Input Power	Input Current	Capacitor	Airflow	Rotation speed	Acoustic level	Direction rotation	Admissible Temperature
V	Hz	W	A	μF	m <sup>3</sup> /h	RPM	dBA	↻	Min/Max
230	50	40	0,18	1,5	185	2215	54	R	-40°C / +70°C
230	60	49	0,22	1,5	180	2255	55	R	-40°C / +70°C
230	50				108 CFM				-40°F / 158°F
230	60				105 CFM				-40°F / 158°F



dBA : free blowing

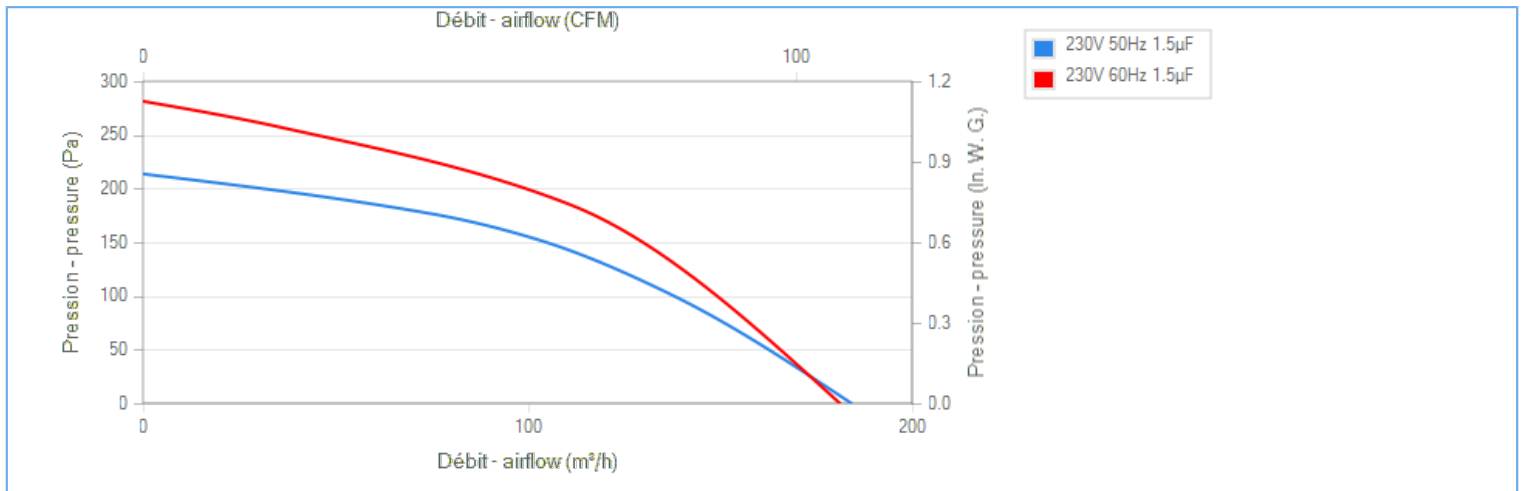
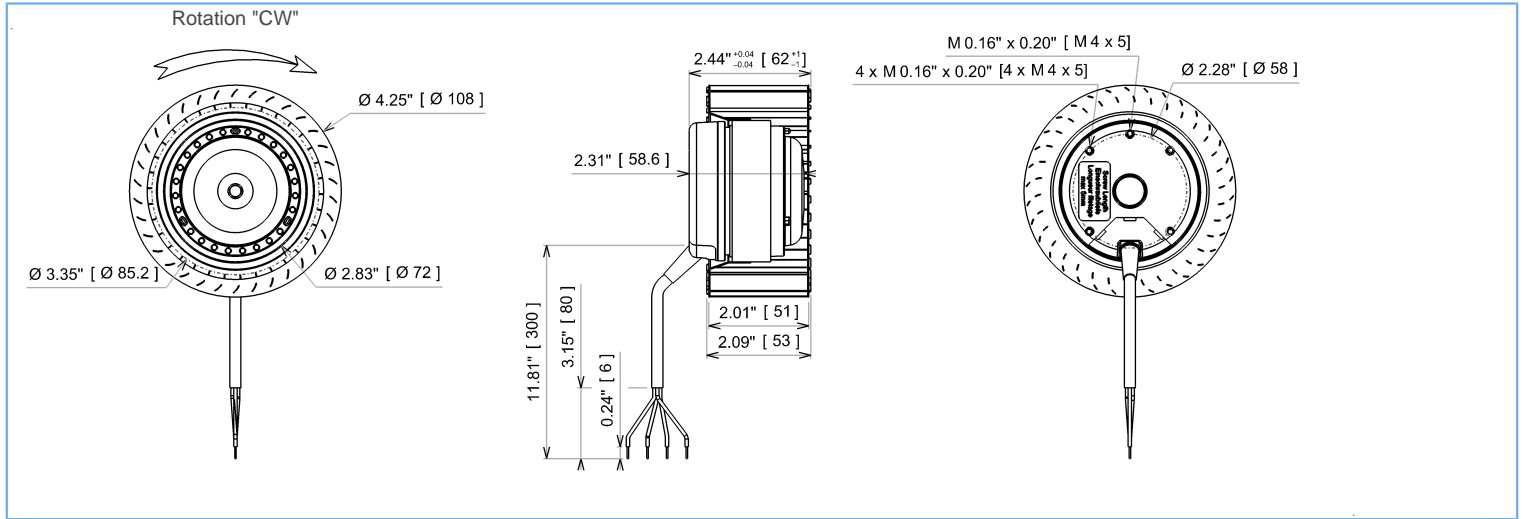
NA : not applicable

ErP 2013

NA

ErP 2015

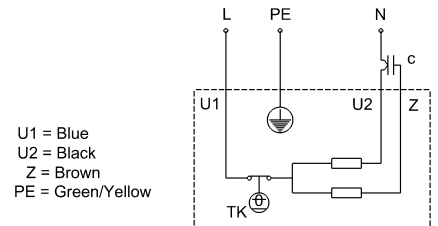
NA



Tested with ECOFIT ring

**Description**

- .Weight : 0,8 Kg
- .Ball bearing
- .Class F, thermally protected
- .IP44 protection depending on installation and position as per EN60034-5
- .G2.5 balancing
- .Galvanized steel impeller
- .Rotor : black paint
- .Motor - UL Recognized component



Non contractual document. All specifications are subject to change without prior notice. Picture for information only.



2TREuA3 108x52R

M35-A2



# DATA SHEET

release. 0 - Revision 09-2017

## Data in accordance to ErP directive

Voltage	230	V
Frequency	50	Hz
Power	0,035	kW <sup>(1)</sup>
Airflow	103	m <sup>3</sup> /h <sup>(1)</sup>
Pressure	152	Pa <sup>(1)</sup>
Rotation speed	2553	RPM <sup>(1)</sup>
(1) at optimal efficiency point		

ErP directive (EU 2009/125/EC) not applicable :  
Power at optimum energy efficiency point

## Accessories

- 19208
- 19208
- 21237
- 16203

## Measurement setup

Contact ECOFIT

## Documents

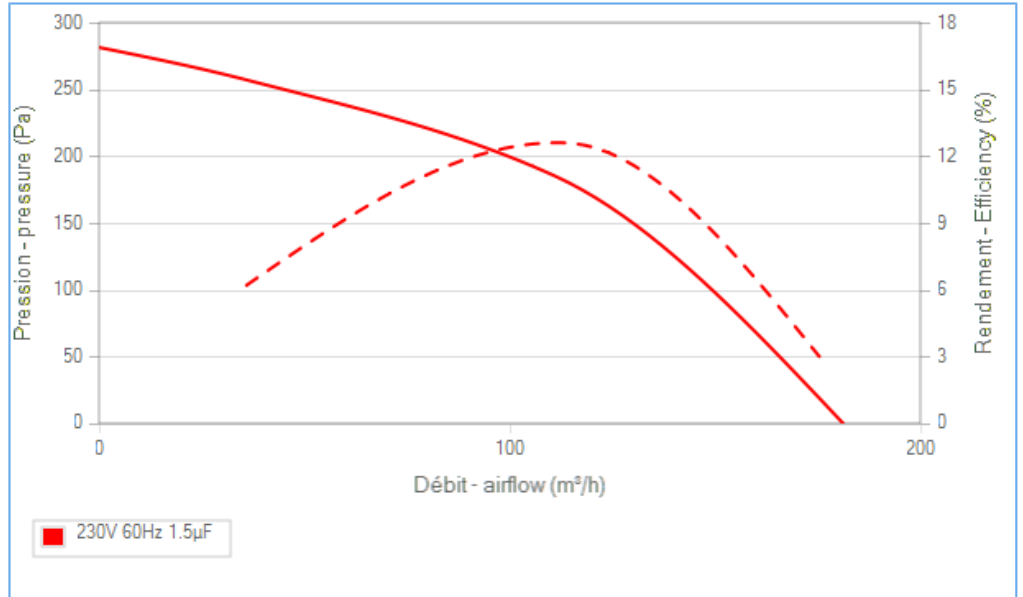
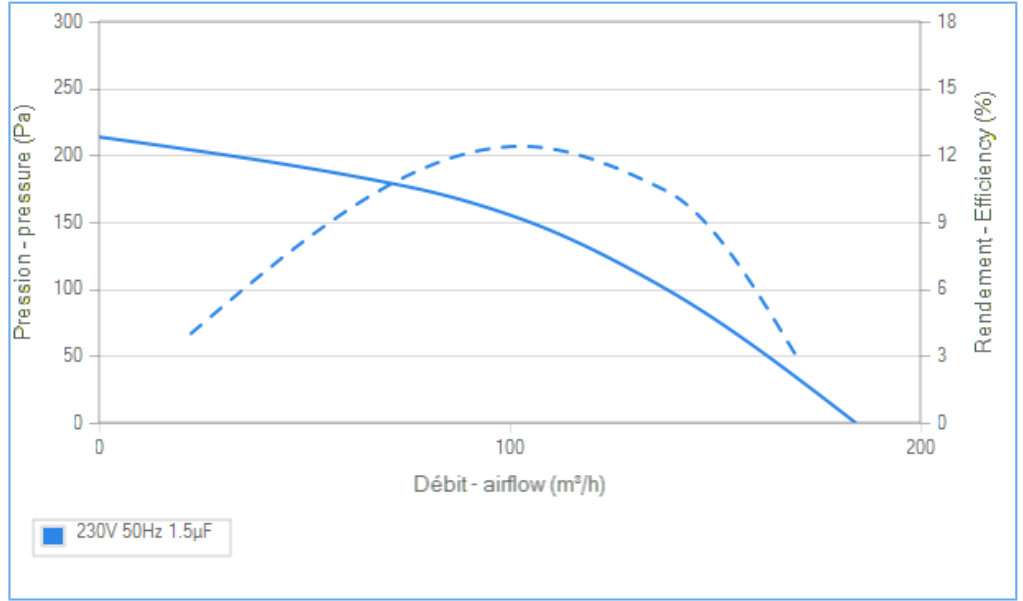
- Manuel d'utilisation  
[www.ecofit.com/site/normes](http://www.ecofit.com/site/normes)
- Operating and recycling manual  
[www.ecofit.com/anglais/normes](http://www.ecofit.com/anglais/normes)



UL2111 (XEWR2,8)  
N° file E135223  
2RS73



A041865  
2RS73CN



Non contractual document. All specifications are subject to change without prior notice. Picture for information only.