

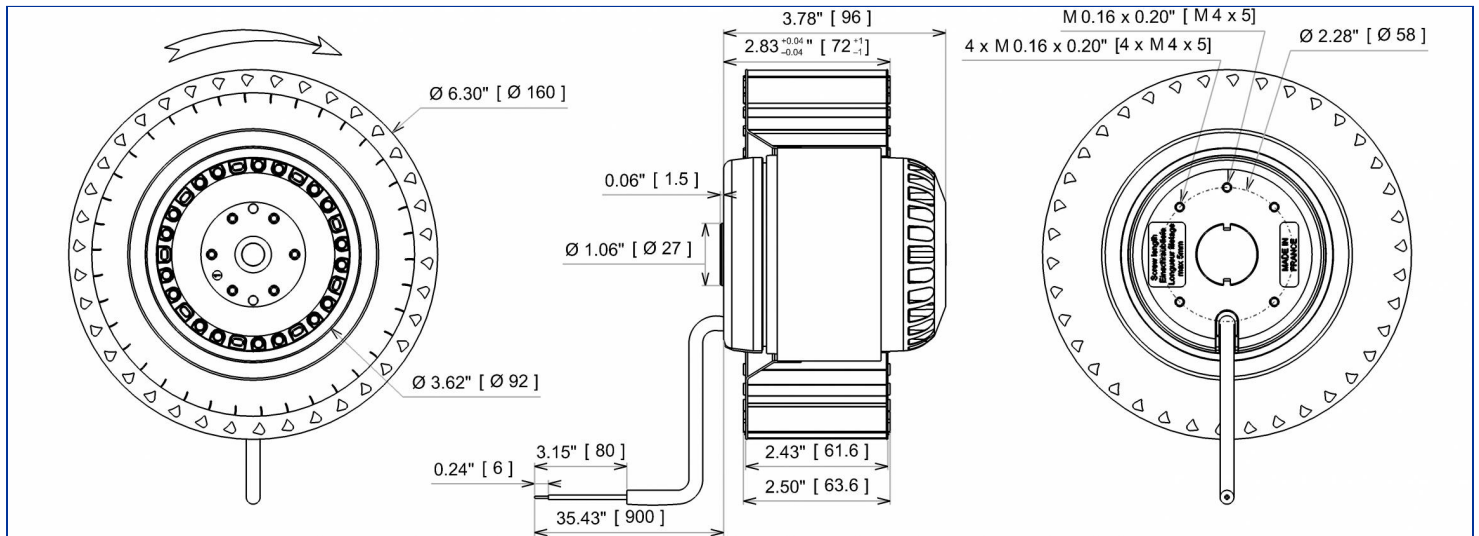


Designation **2TREu45 160x62R**

Range Single inlet centrifugal fans with single phase asynchronous motor

ELECTRICAL DATA

Speed	GV	GV
Tension (V)	230	230
Frequency (Hz)	50	60
Current (A)	1.19	1.29
Maximum current (A)	1.31	1.54
Power (W)	268	296
Maximum power (W)	268	320
Rotation (RPM)	2125	2355
Cos Φ	0.979	0.998
Temperature min/max (°C)	-40/+70	-40/+50
Capacitor (µF)	5.00	5.00
U_condo (V)	400	400



MARKING & STANDARDS

Conformity

- CE
- UL 2RS945 2111 REC92 MonoPhase (XEW2,8)
File number E135223

C45-B9 2TREu45 160x62R ECOFIT CE RoHS
230V 50/60Hz CL F 5µF 400V enar1235
11817-294-265228V 2125/2355RPM IP44 Inva.Aqua
2RS945 Thermally Protected Inar:1.31/1.54A 13-20-0004 E135223

The product is manufactured in accordance with EN 60335-1, UL2111, and RoHS directive 2015/863/CE
IP class according to EN 60034-5 to be checked with operation and installation

Issued: 24/03/2020 at 14:37 Documentations and pictures are non contractual, all the data of the technical file and the drawing are subject to change.

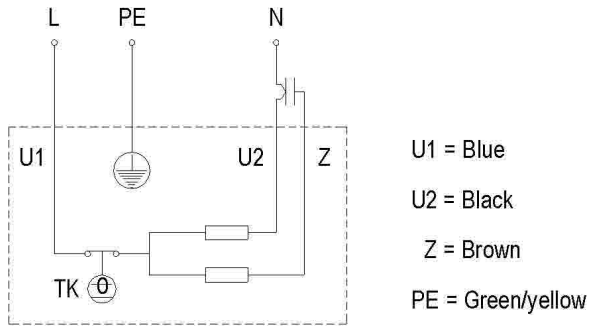
EN - Page 1 / 4

TECHNICAL DATA

Description

- Weight: 3.00 kg
- Class F
- Protection level: 44 | Protection against ingress of solid with diameter ≥ 1 mm / Protection against ingress of water : splashing
- Motor's protection T150° C UL Automatic reset
- Bearing type: 2 ball bearings 608ZZ
- Balance level: G2.5

Wiring diagram



Finishes

- Motor - UL Recognized component
- Rotor : black paint
- Galvanized steel impeller

The product is manufactured in accordance with EN 60335-1, UL2111, and RoHS directive 2015/863/CE
IP class according to EN 60034-5 to be checked with operation and installation

Issued: 24/03/2020 at 14:37 Documentations and pictures are non contractual, all the data of the technical file and the drawing are subject to change.

EN - Page 2 / 4

ADDITIONAL DATA

Accessories

- 19216 | Capacitor
- 21291 | Finger guard
- 16154 | Inlet cone

Documentations

- Operating and recycling manual
<http://www.ecofit.com/anglais/normes>

Measurement setup

- Scroll 15327-a VOL VV98D XC PN O135

ERP DATA

Data according to ErP directive

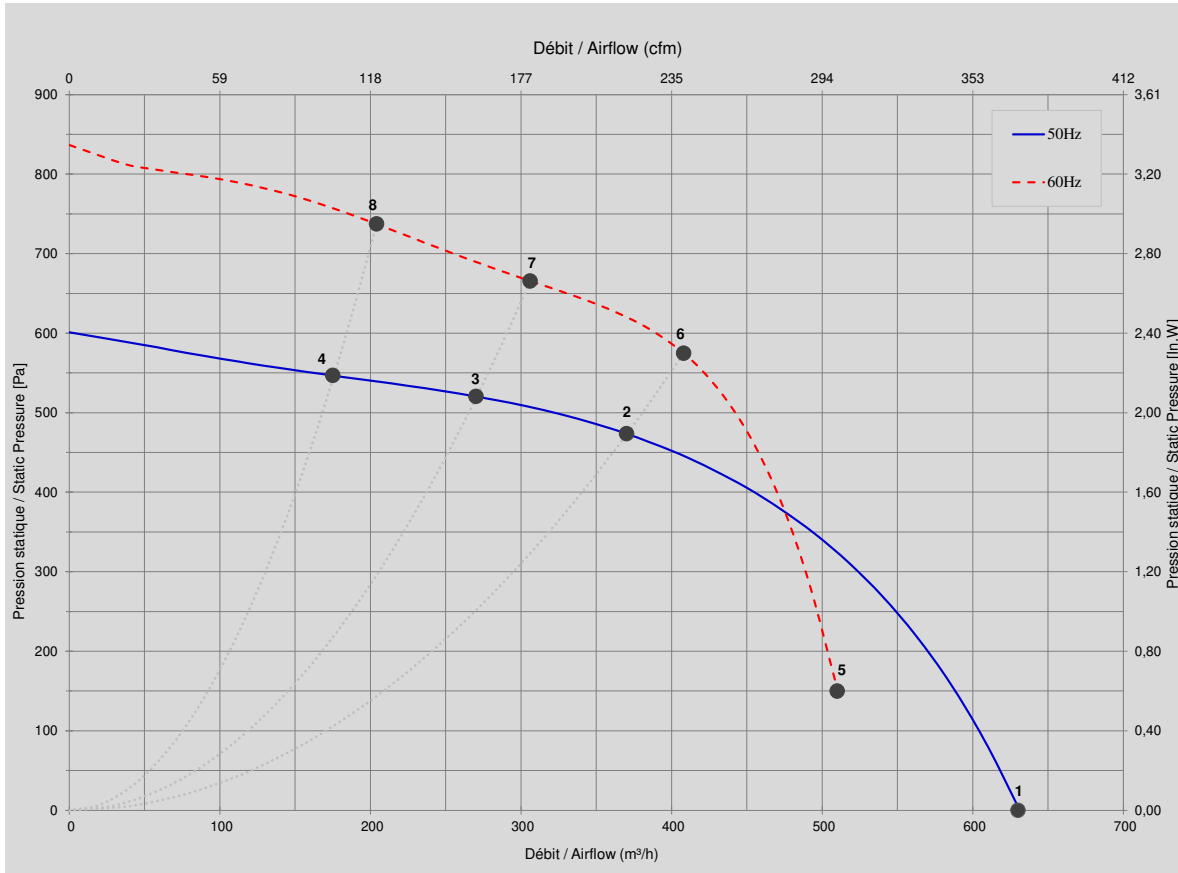
Tension	230 V
Frequency	50 Hz
Power ¹	0.147 kW
Airflow ¹	350 m3/h
Pressure ¹	490 Pa
Rotation ¹	2734 RPM
Catégorie de mesure	A
Catégorie de rendement	total
Variateur de vitesse	No
Rapport spécifique	1.00

- Designed for standard applications according to the directive EU 2009/125/EC

	Actual	2015
Rendement global	32.5	32.4
Niveau de rendement	44	44

¹ at optimum energy efficiency point

TECHNICAL DATA



Mesures / Measured Values *

	Un (V)	F (Hz)	C (µF)	P (W)	n (RPM)	Q (m³/h)	P (Pa)	Q (cfm)	P (In.W)	Lp _n (dBA)
1	230	50	5	268	2125	630	0	371	0,000	78,0
2	230	50	5	155	2707	370	474	218	1,898	75,5
3	230	50	5	128	2799	270	521	159	2,086	74,6
4	230	50	5	108	2829	175	547	103	2,191	74,9
5	230	60	5	305	2180	510	150	300	0,601	75,7
6	230	60	5	229	2981	408	575	240	2,303	78,8
7	230	60	5	190	3174	306	666	180	2,667	79,3
8	230	60	5	160	3297	204	737	120	2,954	79,3

* Air performance measured according to: ISO 5801, installation category C.
Intake-side sound level: according to ISO 3744, LpA measured at 1 m distance from fan axis. The values given are only applicable under the specified measuring conditions and may differ depending on the installation conditions. In the event of deviation

The product is manufactured in accordance with EN 60335-1, UL2111, and RoHS directive 2015/863/CE
IP class according to EN 60034-5 to be checked with operation and installation