

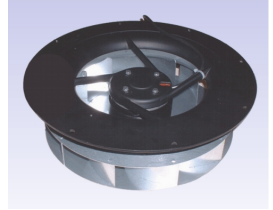


2RREu45 250x56R (115V-Inv) C45-A8

DATA SHEET

release. d - Revision 11-2015

Voltage	Frequency	Input Power	Input Current	Capacitor	Airflow	Rotation speed	Acoustic level	Direction rotation	Admissible Temperature
V	Hz	W	A	µF	m³/h	RPM	dBA	↻	Min/Max
115	50	233	2,03	30,0	1470	2500	71	R	-40°C / +70°C
115	60	318	2,77	30,0	1520	2610	73	R	-40°C / +70°C
115	50				865 CFM				-40°F / 158°F
115	60				894 CFM				-40°F / 158°F



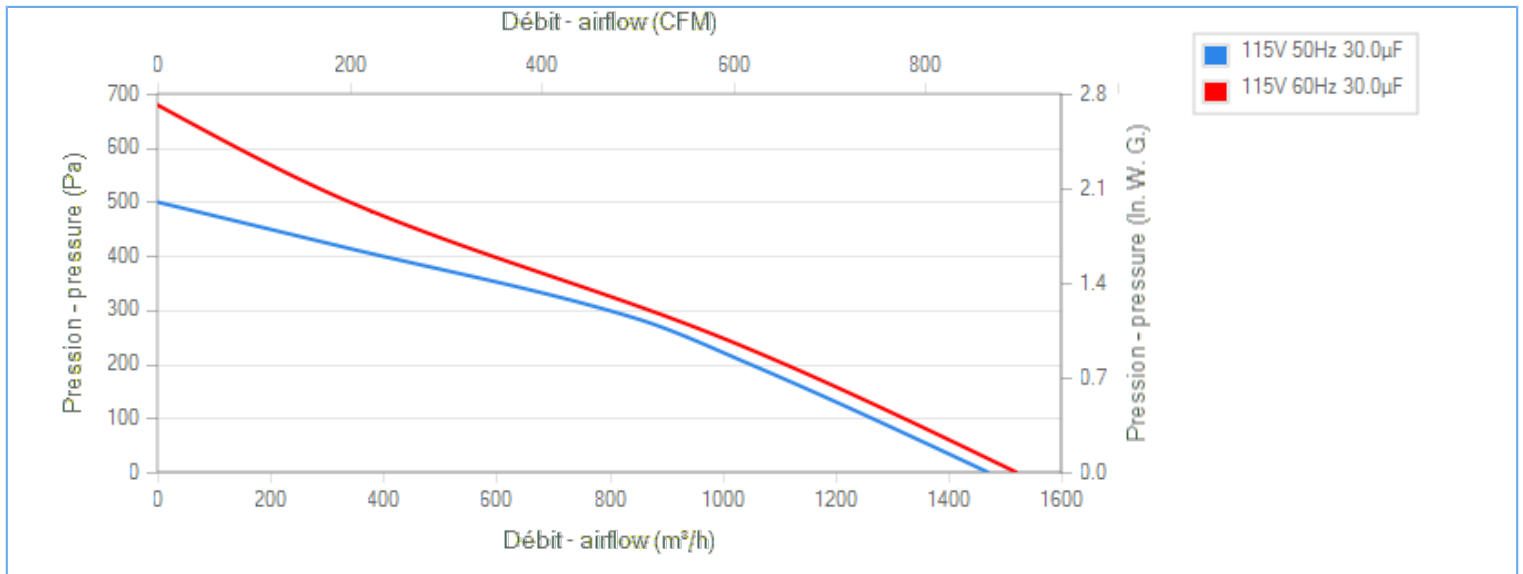
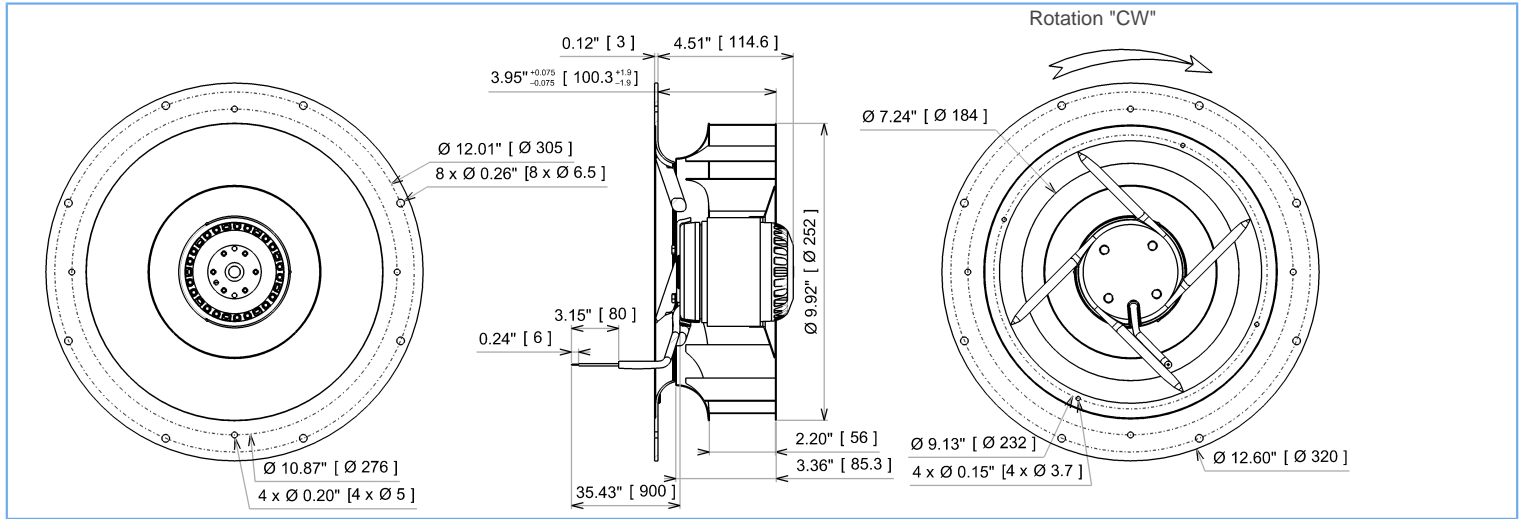
dBA : free blowing

ErP 2013

NOK

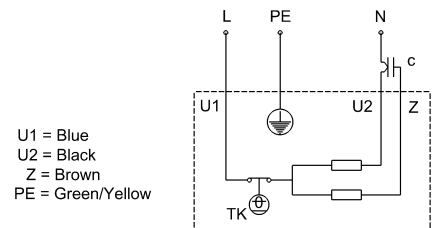
ErP 2015

NOK



Description

- .Weight : 3,5 Kg
- .Ball bearing
- .Class F, thermally protected
- .IP44 protection depending on installation and position as per EN60034-5
- .G2.5 balancing
- .Rotor : black paint
- .Galvanized steel impeller
- .Black painted aluminium reversed-inletcone
- .Motor - UL Recognized component





2RREu45 250x56R (115V-Inv) C45-A8

DATA SHEET

release. d - Revision 11-2015

Data in accordance to ErP directive

Voltage	115	V
Frequency	50	Hz
Power	0,248	kW ⁽¹⁾
Airflow	845	m ³ /h ⁽¹⁾
Pressure	285	Pa ⁽¹⁾
Rotation speed	2393	RPM ⁽¹⁾
(1) at optimal efficiency point		

For service use only in Europe according ErP directive EU 2009/125/EC

Accessories

- 19256
- 19256
- 21360

Measurement setup

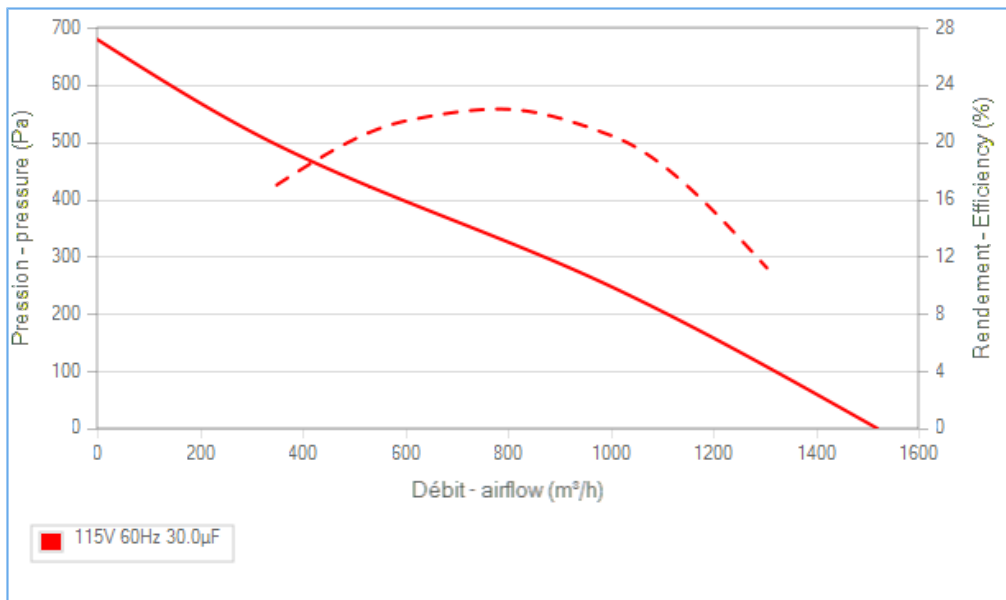
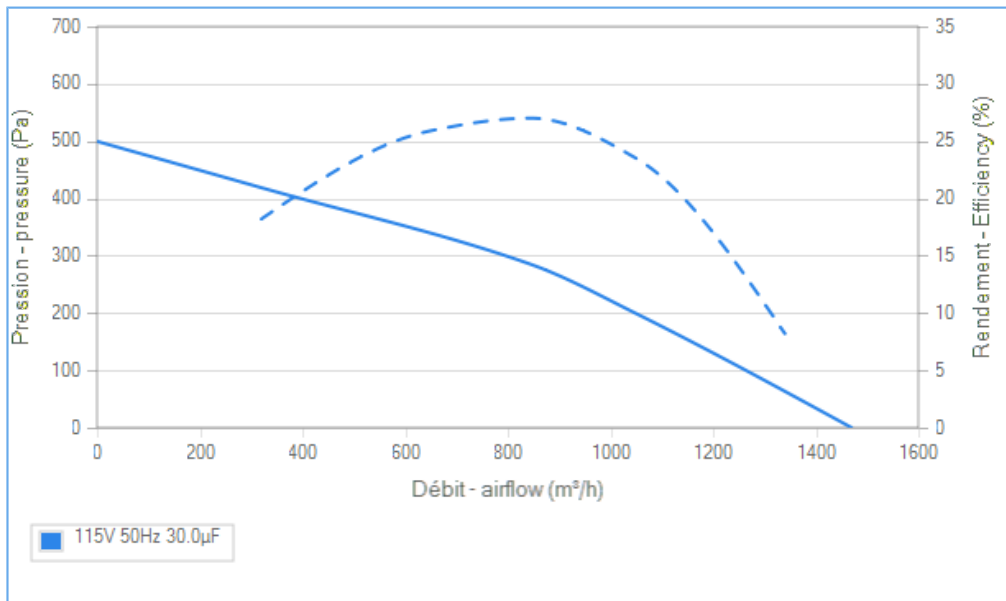
16192 M05-020 Ouie support moteur Ø184inter Ø320ext moulée Alu NOIRE

Documents

- Manuel d'utilisation
www.ecofit.com/site/normes
- Operating and recycling manual
www.ecofit.com/anglais/normes



UL2111 (XEW2,8)
N° file E135223
2RS945



Non contractual document. All specifications are subject to change without prior notice. Picture for information only.