

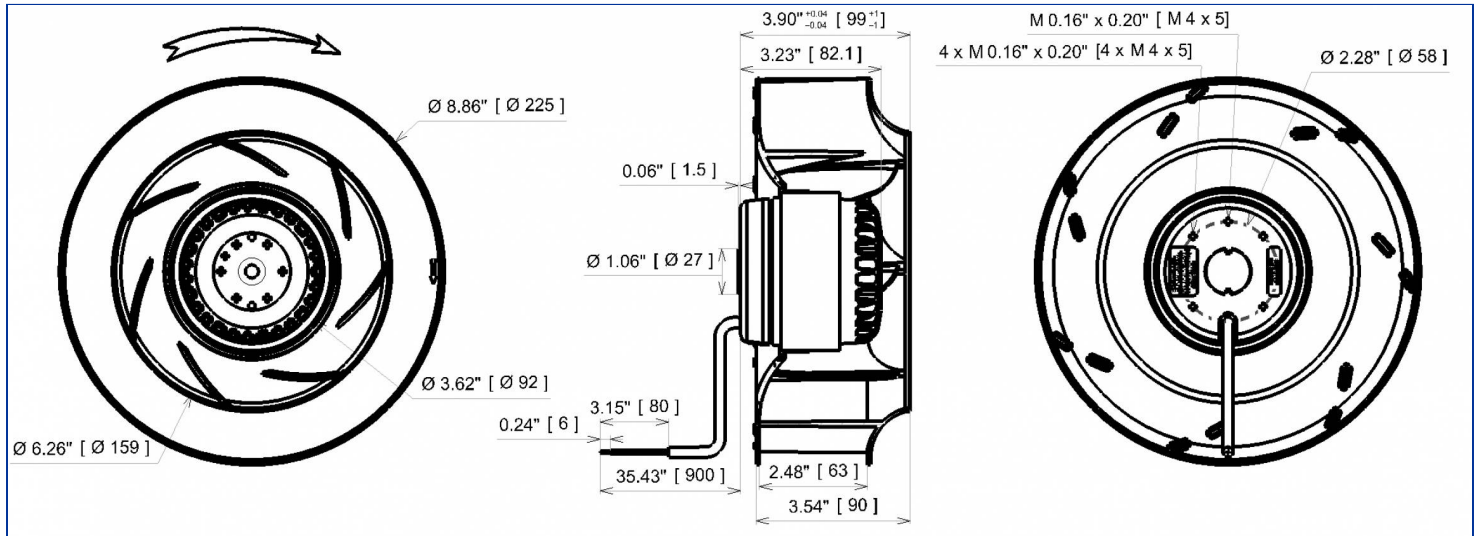


Designation **2RREu35 225x63R**

Range Backward curved centrifugal fans with single phase asynchronous motor

ELECTRICAL DATA

Speed		
Tension (V)	230	230
Frequency (Hz)	50	60
Current (A)	0.63	0.86
Maximum current (A)	0.77	1.00
Power (W)	143	197
Maximum power (W)	160	211
Rotation (RPM)	2505	2640
Cos Φ	0.987	0.996
Temperature min/max (°C)	-40/+70	-40/+70
Capacitor (µF)	4.00	4.00
U_condo (V)	400	400



MARKING & STANDARDS

Conformity

- **UL 2RS935 2111 REC92 MonoPhasé**
(XEW2,8)
File number E135223



The product is manufactured in accordance with EN 60335-1, UL2111, and RoHS directive 2015/863/CE
IP class according to EN 60034-5 to be checked with operation and installation

Issued: 2022-11-15 at 15:27 Documentations and pictures are non contractual, all the data of the technical file and the drawing are subject to change.

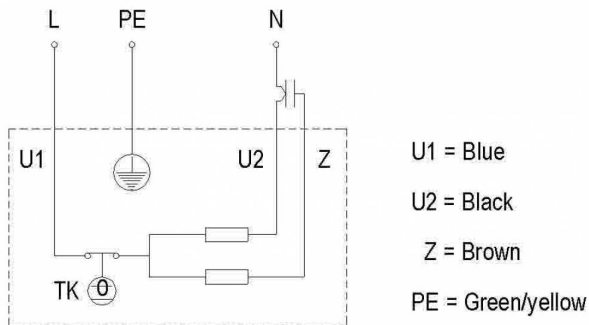
EN - Page 1 / 4

TECHNICAL DATA

Description

- Weight: 2.30 kg
- With Condensat Drain Holes
- Class F
- Protection level: 44 | Protection against ingress of solid with diameter ≥ 1 mm / Protection against ingress of water : splashing
- Motor's protection T150° C UL Automatic reset
- Bearing type: 2 ball bearings 608ZZ
- Balance level: G2.5

Wiring diagram



Finishes

- Rotor : black paint
- PA 6/6 UL 94 V-0 plastic impeller
- Motor - UL Recognized component

The product is manufactured in accordance with EN 60335-1, UL2111, and RoHS directive 2015/863/CE
IP class according to EN 60034-5 to be checked with operation and installation

Issued: 2022-11-15 at 15:27 Documentations and pictures are non contractual, all the data of the technical file and the drawing are subject to change.

EN - Page 2 / 4



by



ADDITIONAL DATA

Accessories

- 19220 | Capacitor
- 16214 | Inlet cone

Documentations

- Operating and recycling manual
<http://www.ecofit.com/anglais/normes>

Measurement setup

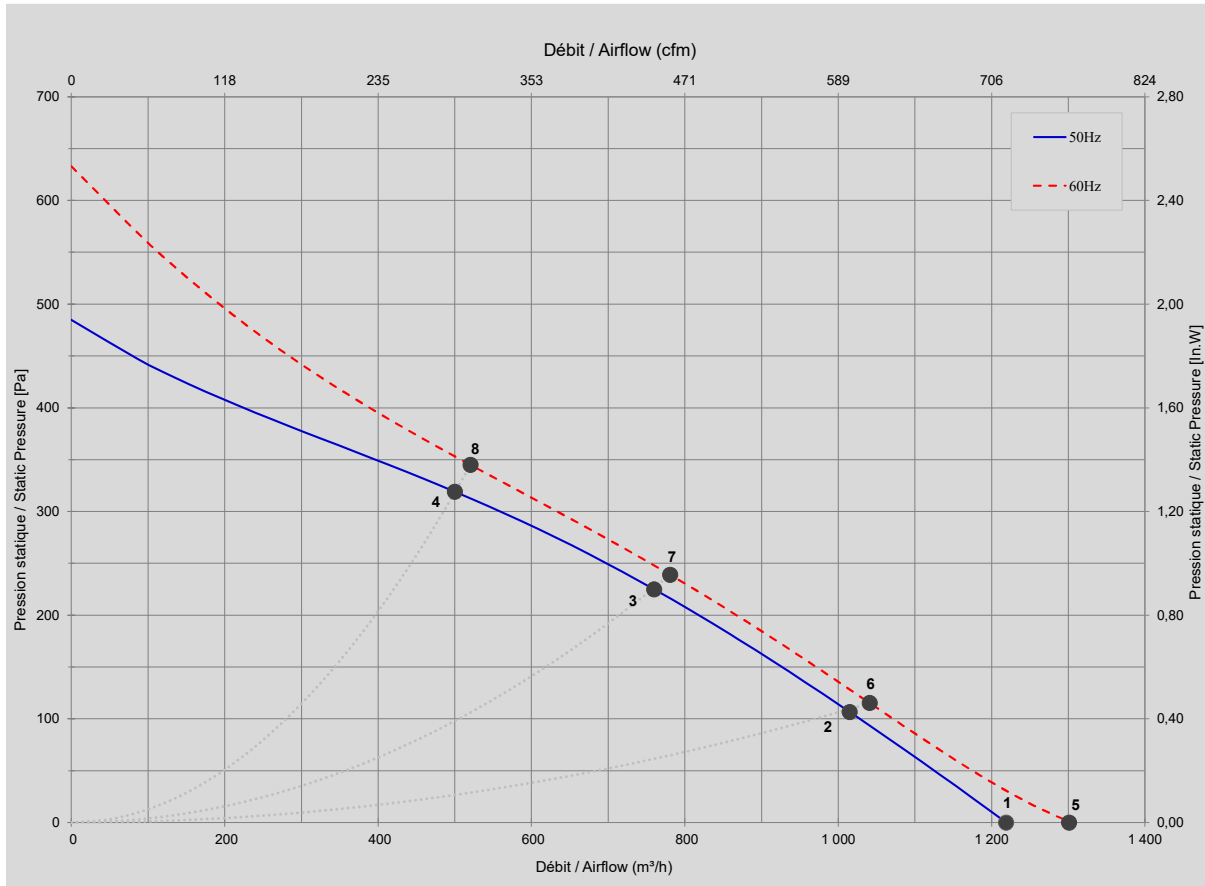
- Ouie 16214-a Ouie Ø252 ext Ø155 int GALVA

ERP DATA



- For maintenance usage only in Europe according to the directive EU 2009/125/EC

TECHNICAL DATA



Mesures / Measured Values *

	Un (V)	F (Hz)	C (µF)	P (W)	n (RPM)	Q (m³/h)	P (Pa)	Q (cfm)	P (in.W)	Lp _{in} (dBA)
1	230	50	4	143	2505	1 219	0	717	0,000	
2	230	50	4	154	2408	1 015	107	597	0,427	
3	230	50	4	160	2368	760	225	447	0,901	
4	230	50	4	151	2444	500	319	294	1,278	
5	230	60	4	197	2640	1 301	0	766	0,000	
6	230	60	4	207	2485	1 041	115	613	0,462	
7	230	60	4	209	2409	781	239	460	0,957	
8	230	60	4	201	2523	520	345	306	1,382	

* Air performance measured according to: ISO 5801, installation category C.
Intake-side sound level: according to ISO 3744, LpA measured at 1 m distance from fan axis. The values given are only applicable under the specified measuring conditions and may differ depending on the installation conditions. In the event of deviation

The product is manufactured in accordance with EN 60335-1, UL2111, and RoHS directive 2015/863/CE
IP class according to EN 60034-5 to be checked with operation and installation