



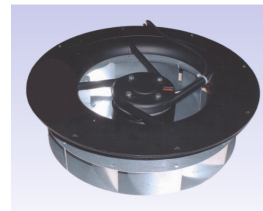
2RREu35 225x63R (Inv)

C36-B5 p

DATA SHEET

release. h - Revision 07-2016

Voltage	Frequency	Input Power	Input Current	Capacitor	Airflow	Rotation speed	Acoustic level	Direction rotation	Admissible Temperature
V	Hz	W	A	µF	m³/h	RPM	dBA		Min/Max
230	50	148	0,65	3,5	965	2500	68	R	-40°C / +70°C
230	60	203	0,89	3,5	1005	2630	70	R	-40°C / +70°C
230	50				568 CFM				-40°F / 158°F
230	60				591 CFM				-40°F / 158°F



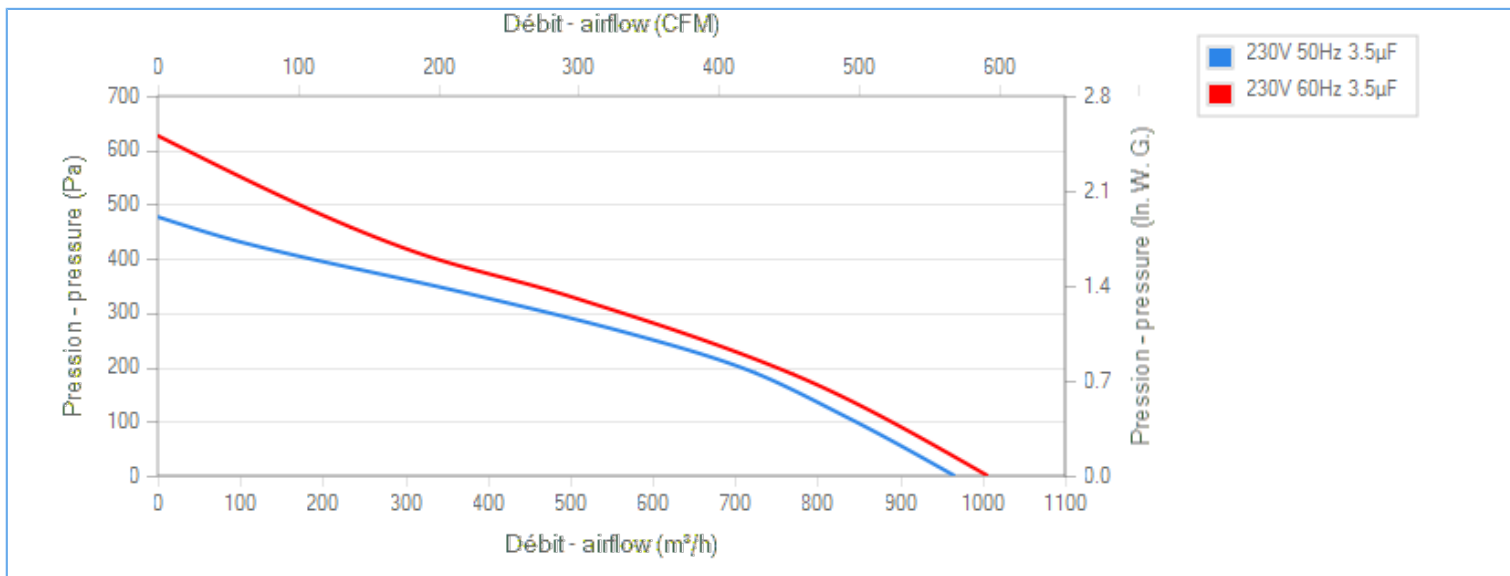
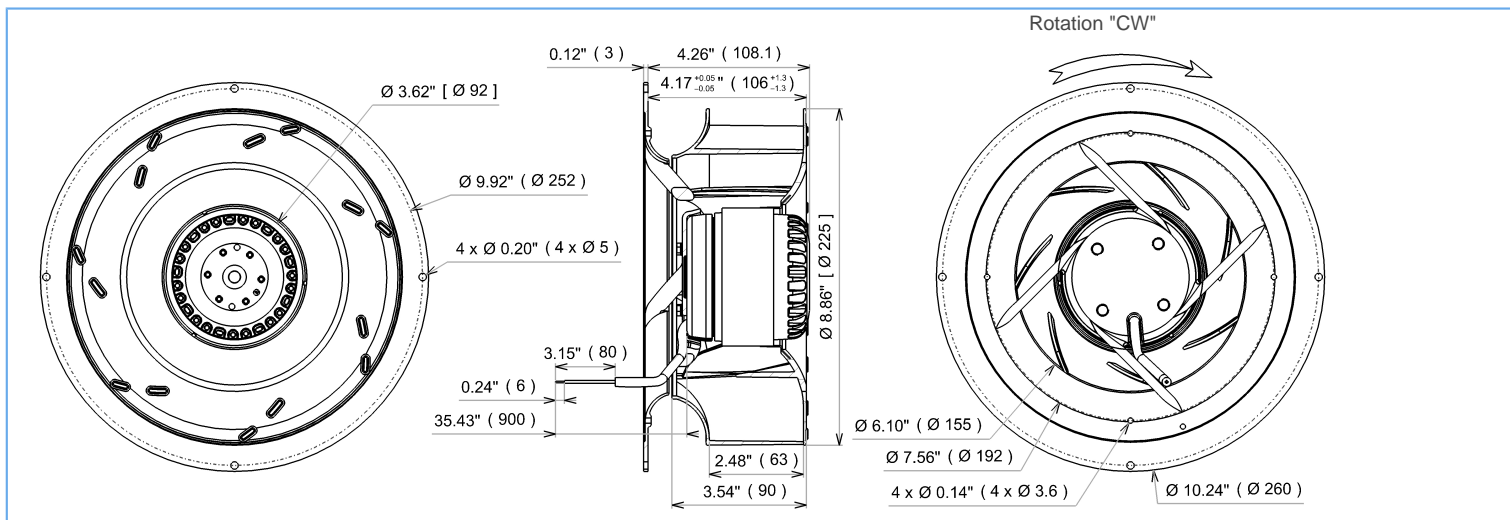
dBA : free blowing

ErP 2013

NOK

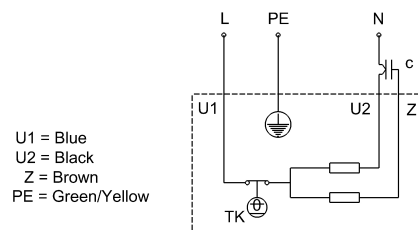
ErP 2015

NOK



Description

- .Weight : 2,5 Kg
- .Ball bearing
- .Class F, thermally protected
- .IP44 protection depending on installation and position as per EN60034-5
- .G2.5 balancing
- .PA 6/6 UL 94 V-0 plastic impeller
- .Rotor : black paint
- .Black painted aluminium reversed-inletcone
- .Motor - UL Recognized component



Non contractual document. All specifications are subject to change without prior notice. Picture for information only.



2RREu35 225x63R (Inv)

C36-B5 p

DATA SHEET

release. h - Revision 07-2016

Data in accordance to ErP directive

Voltage	230	V
Frequency	50	Hz
Power	0,151	kW ⁽¹⁾
Airflow	575	m ³ /h ⁽¹⁾
Pressure	261	Pa ⁽¹⁾
Rotation speed	2481	RPM ⁽¹⁾

(1) at optimal efficiency point

For service use only in Europe according ErP directive EU 2009/125/EC

Accessories

- 19232
- 19232
- 21194

Measurement setup

16195 M05-022 Ouie support moteur Ø155inter Ø260ext moulée Alu NOIRE

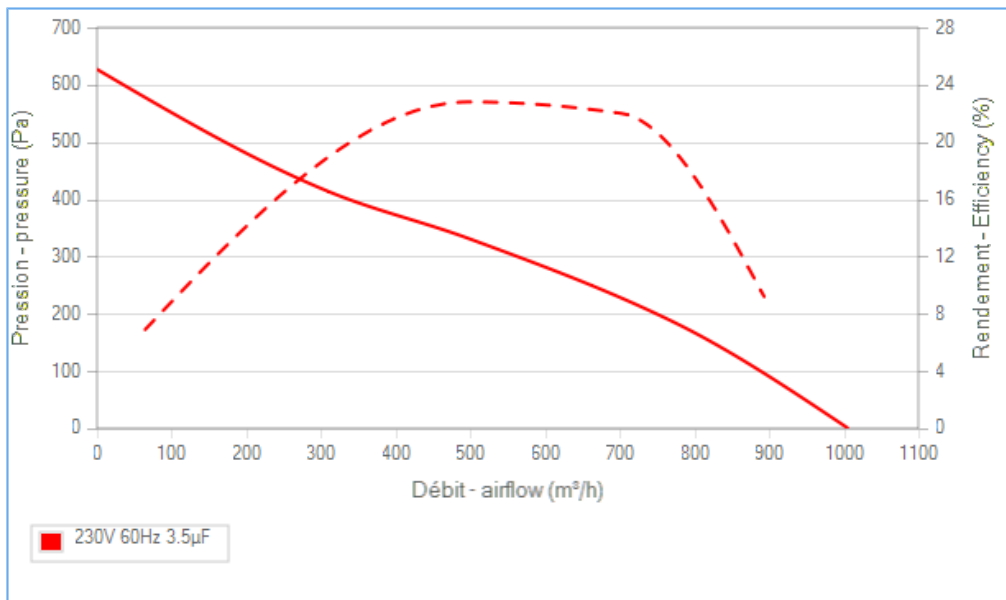
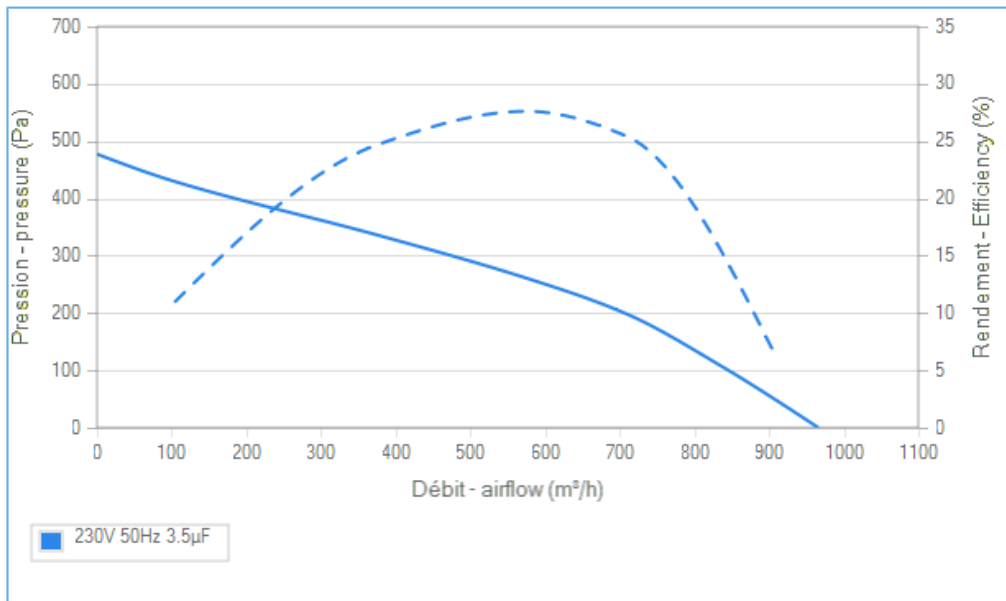
Documents

Manuel d'utilisation
www.ecofit.com/site/normes

Operating and recycling manual
www.ecofit.com/anglais/normes



UL2111 (XEW2,8)
 N° file E135223
 2RS935



Non contractual document. All specifications are subject to change without prior notice. Picture for information only.