



2RREu15 180x35R (Inv)

C36-B2 p



DATA SHEET

release. f - Revision 04-2017

Voltage	Frequency	Input Power	Input Current	Capacitor	Airflow	Rotation speed	Acoustic level	Direction rotation	Admissible Temperature
V	Hz	W	A	µF	m³/h	RPM	dBA		Min/Max
230	50	44	0,2	1,5	385	2540	60	R	-40°C / +70°C
230	60	52	0,24	1,5	435	2835	63	R	-40°C / +70°C
230	50				226 CFM				-40°F / 158°F
230	60				256 CFM				-40°F / 158°F



dBA : free blowing

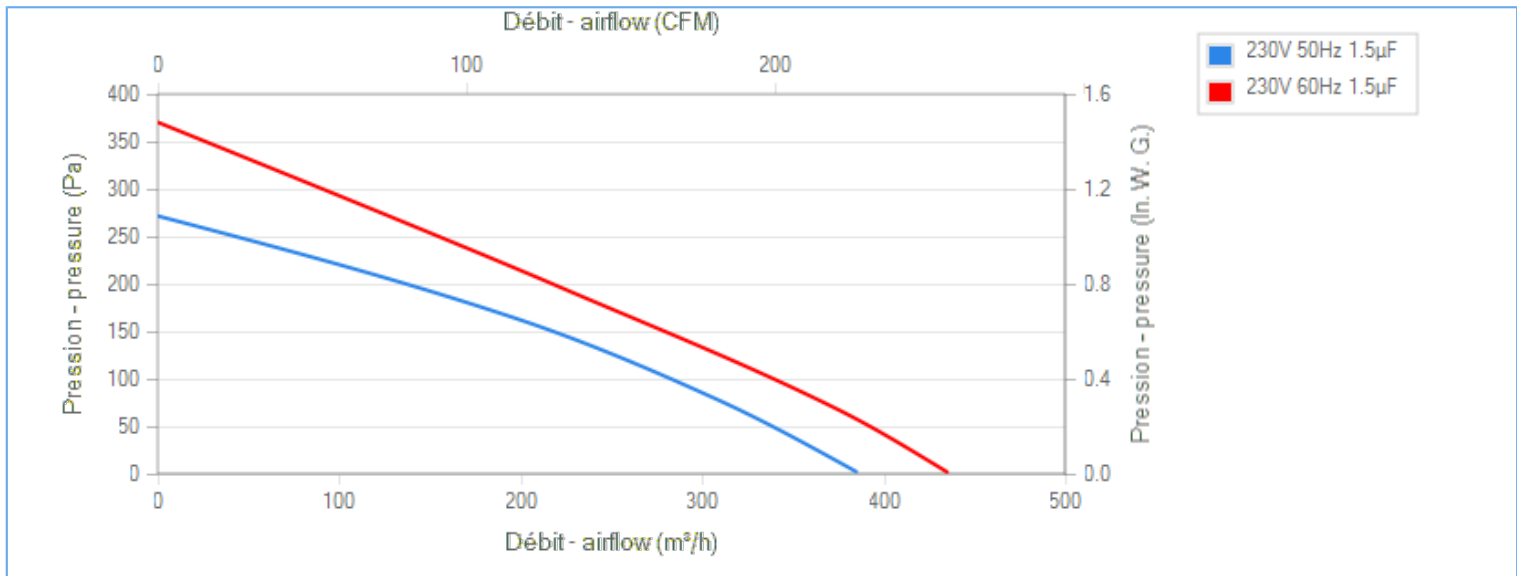
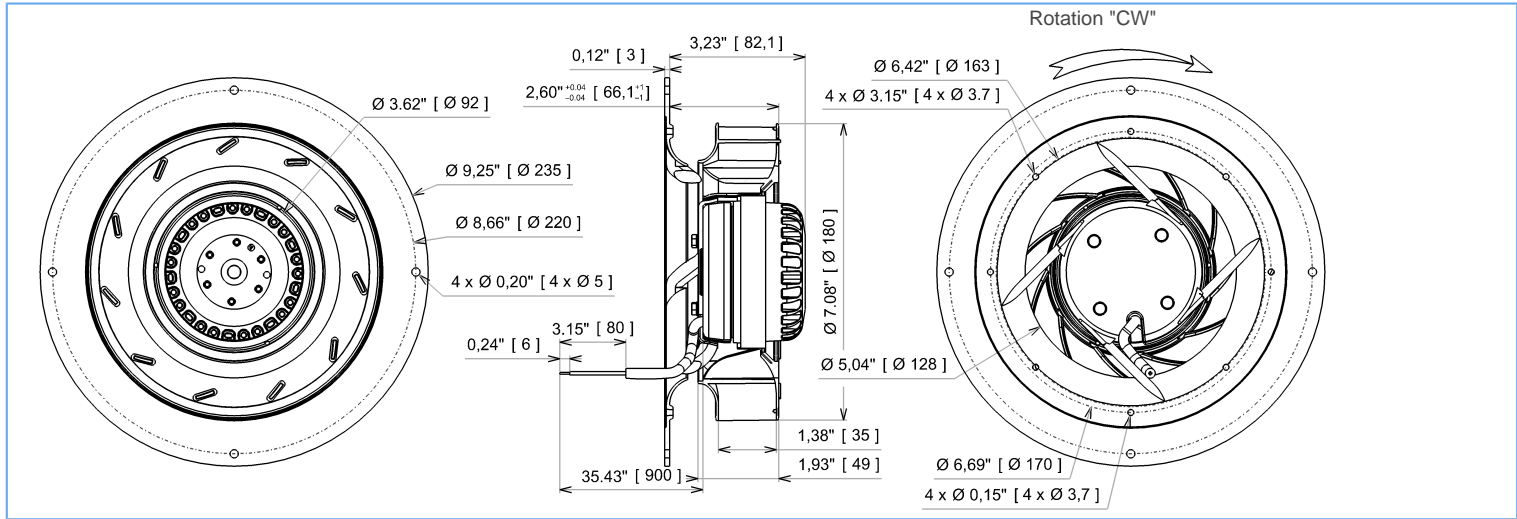
NA : not applicable

ErP 2013

NA

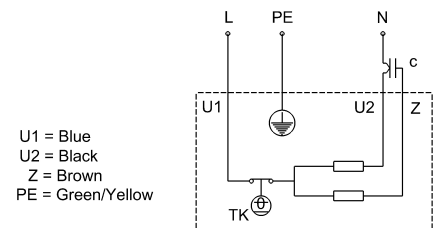
ErP 2015

NA



Description

- .Weight : 1,5 Kg
- .Ball bearing
- .Class F, thermally protected
- .IP44 protection depending on installation and position as per EN60034-5
- .G2.5 balancing
- .Rotor : black paint
- .PA 6/6 UL 94 V-0 plastic impeller
- .Black painted aluminium reversed-inletcone
- .Motor - UL Recognized component



U1 = Blue
 U2 = Black
 Z = Brown
 PE = Green/Yellow

Non contractual document. All specifications are subject to change without prior notice. Picture for information only.



2RREu15 180x35R (Inv)

C36-B2 p



DATA SHEET

release. f - Revision 04-2017

Data in accordance to ErP directive

Voltage	230	V
Frequency	50	Hz
Power	0,045	kW ⁽¹⁾
Airflow	200	m ³ /h ⁽¹⁾
Pressure	161,9	Pa ⁽¹⁾
Rotation speed	2482	RPM ⁽¹⁾

(1) at optimal efficiency point

ErP directive (EU 2009/125/EC) not applicable :
Power at optimum energy efficiency point

Accessories

19208

19208

21366

Measurement setup

16193 M05-021 Ouie support moteur Ø128inter
Ø235ext moulée Alu NOIRE

Documents

Manuel d'utilisation
www.ecofit.com/site/normes

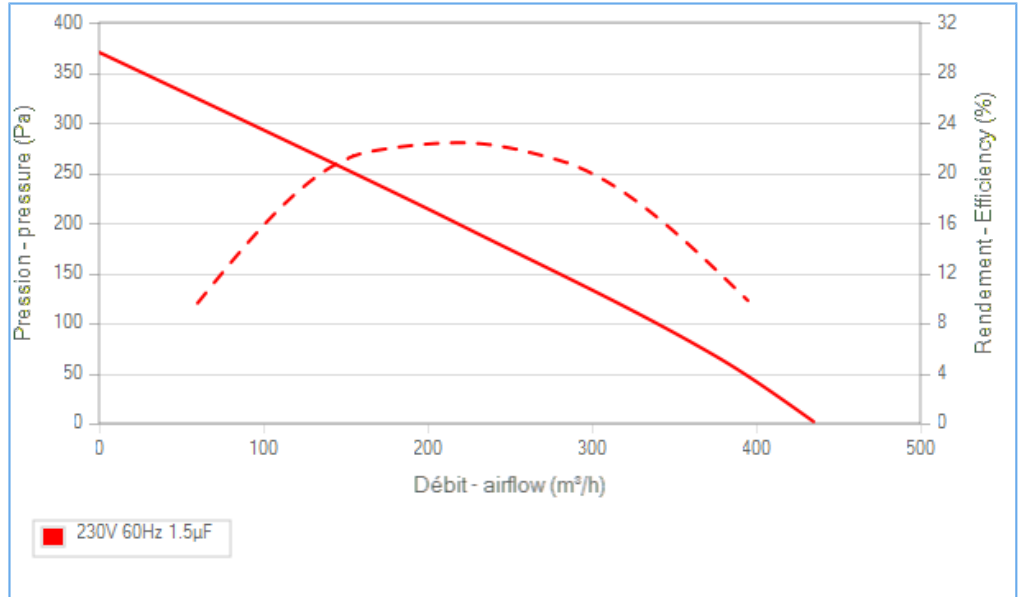
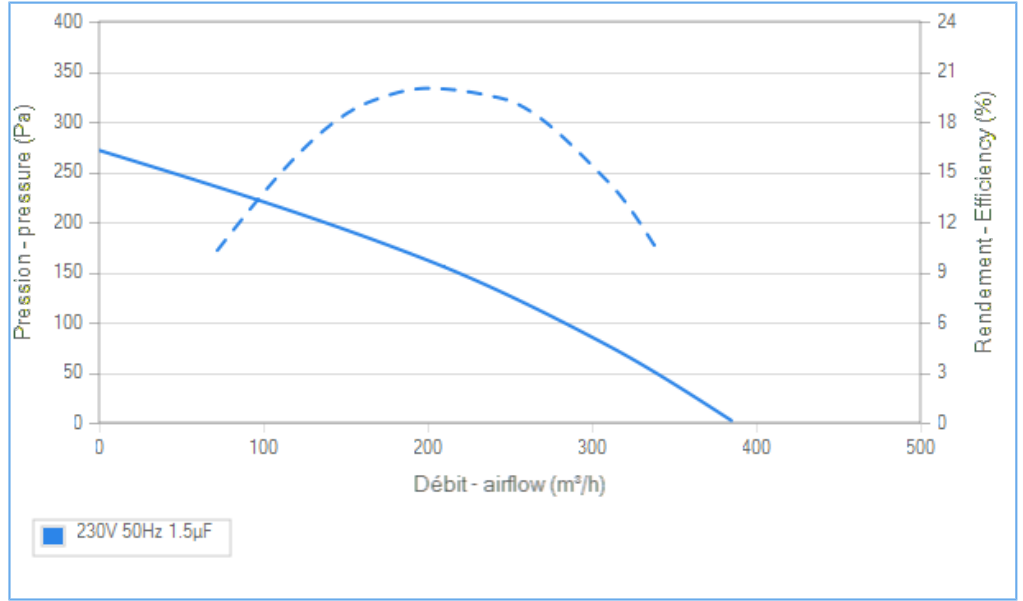
Operating and recycling manual
www.ecofit.com/anglais/normes



UL2111 (XEWR2,8)
N° file E135223
2RS915



A041865
2RS915CN



Non contractual document. All specifications are subject to change without prior notice. Picture for information only.