



2RREA4 192x40R

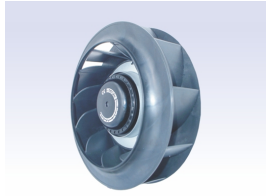
D04-A7



DATA SHEET

release. c - Revision 03-2015

Voltage	Frequency	Input Power	Input Current	Capacitor	Airflow	Rotation speed	Acoustic level	Direction rotation	Admissible Temperature
V	Hz	W	A	µF	m³/h	RPM	dBA	↻	Min/Max
230	50	59	0,26	2,0	590	2495	62	R	-20°C / +70°C
230	60	73	0,32	2,0	655	2740	64	R	-20°C / +70°C
230	50				347 CFM				-4°F / 158°F
230	60				385 CFM				-4°F / 158°F



dBA : free blowing

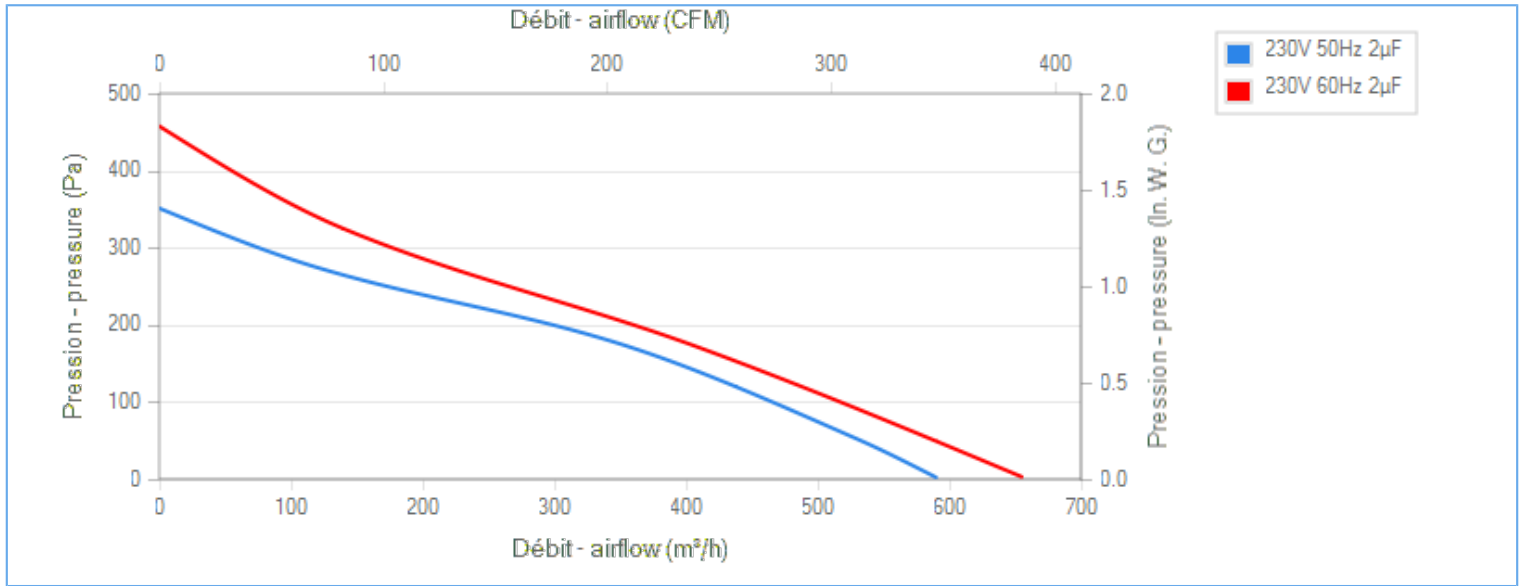
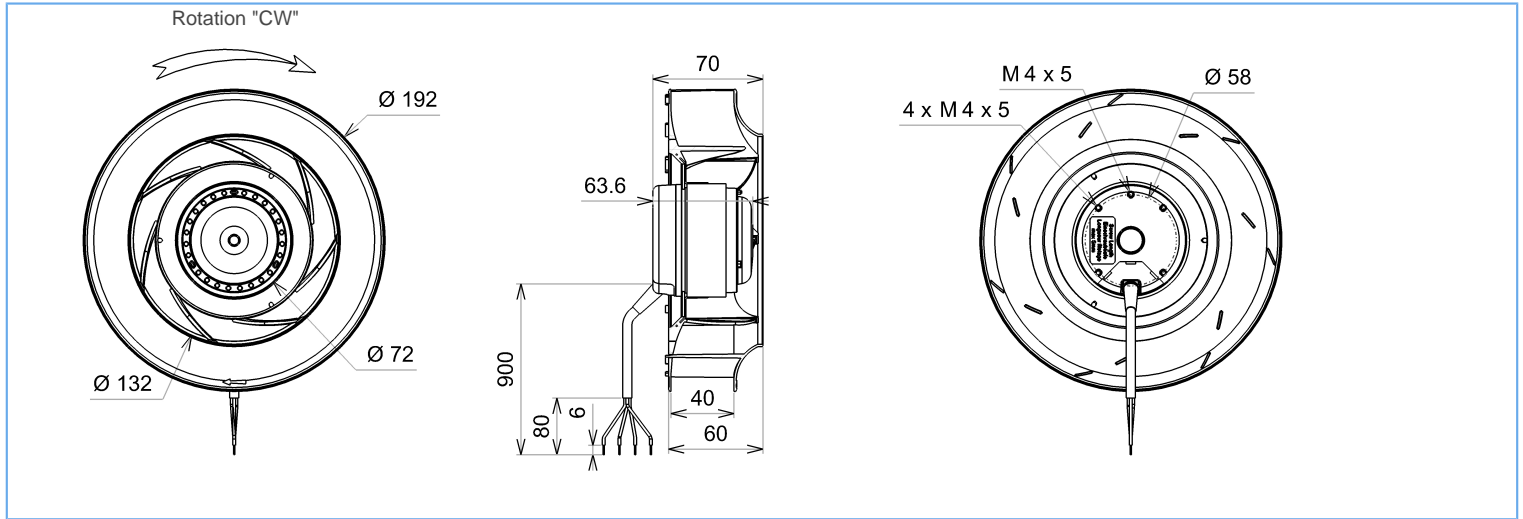
NA : not applicable

ErP 2013

NA

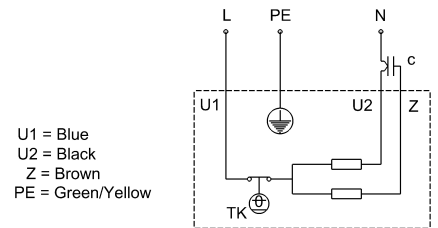
ErP 2015

NA



Description

- .Weight : 1,0 Kg
- .Ball bearing
- .Class F, thermally protected
- .IP44 protection depending on installation and position as per EN60034-5
- .G2.5 balancing
- .Rotor : black paint
- .PP plastic impeller



Non contractual document. All specifications are subject to change without prior notice. Picture for information only.



2RREA4 192x40R

D04-A7



DATA SHEET

release. c - Revision 03-2015

Data in accordance to ErP directive

Voltage	230	V
Frequency	50	Hz
Power	0,064	kW ⁽¹⁾
Airflow	345	m ³ /h ⁽¹⁾
Pressure	177,9	Pa ⁽¹⁾
Rotation speed	2381	RPM ⁽¹⁾

(1) at optimal efficiency point

ErP directive (EU 2009/125/EC) not applicable :
Power at optimum energy efficiency point

Accessories

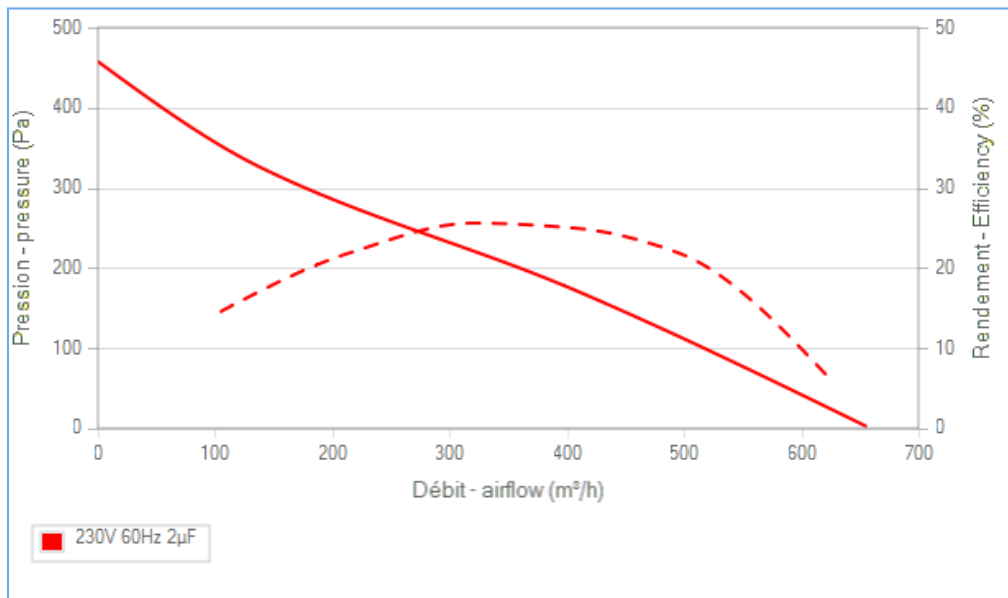
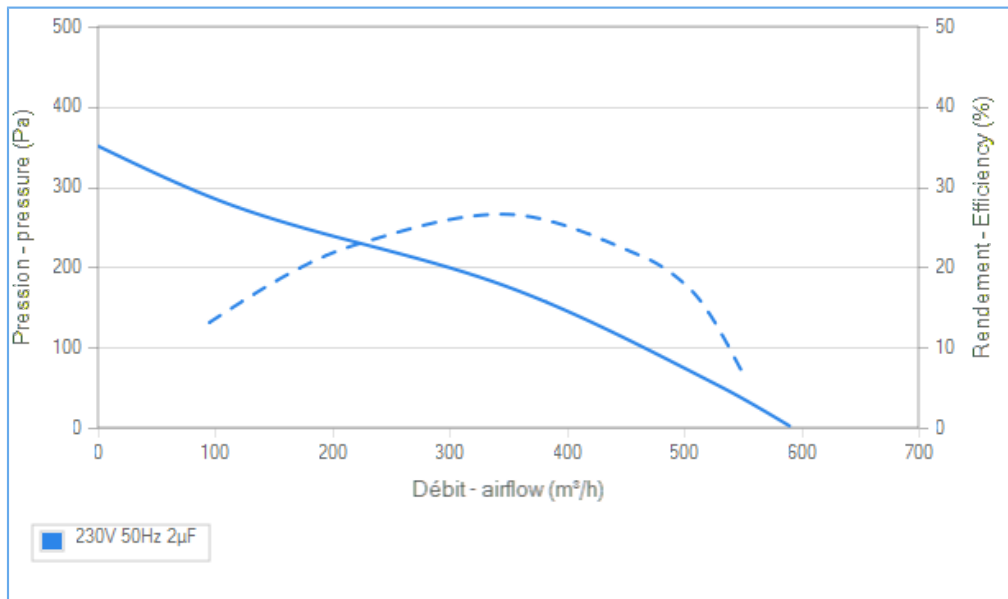
- 19008
- 19008
- 21181
- 16043

Measurement setup

16064 OUIE OG 128 3 CISAIL.TOLE XC

Documents

- Manuel d'utilisation
www.ecofit.com/site/normes
- Operating and recycling manual
www.ecofit.com/anglais/normes



Non contractual document. All specifications are subject to change without prior notice. Picture for information only.