

Technical data sheet

Revision j
Revision 06/2022

ECOFIT

by



Model
Q11-06 p

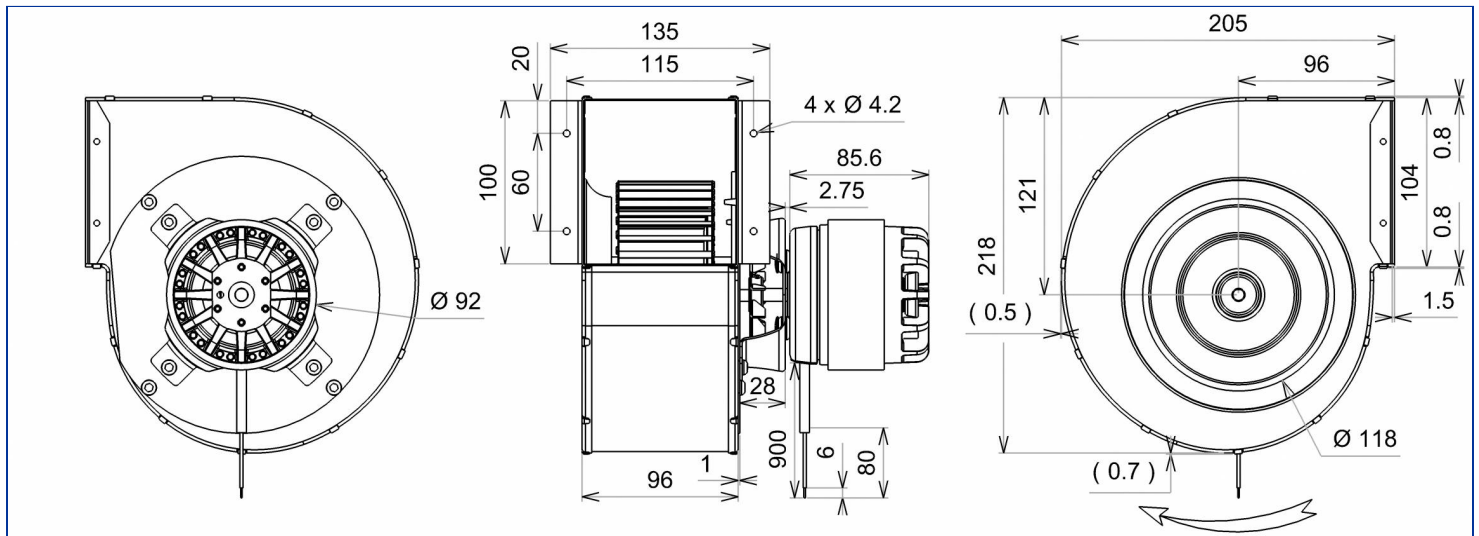


Designation **2GTA35 140x59R**

Range Fans for hot gases with single phase asynchronous motor

ELECTRICAL DATA

Speed		
Tension (V)	230	230
Frequency (Hz)	50	60
Current (A)	0.66	0.71
Maximum current (A)	0.73	0.78
Power (W)	150	161
Maximum power (W)	150	161
Rotation (RPM)	1830	1670
Cos Φ	0.988	0.986
Temperature min/max (°C)	-20/+70	-20/+60
Capacitor (µF)	4.00	3.50
U_condo (V)	400	400



MARKING & STANDARDS

Conformity

- CE
- UKCA

ECOFIT
2GTAS 140x59R
230V 50/60Hz Cl. F 403µF 400V
0.66/0.71A 150/161W 1830/1670RPM IP20
BLACK-BROWN CAPACITOR
BLACK-BLUE SECTOR
Imax: 0.73/0.78 A



Thermally Protected 23-22-0000
Q11-06

The product is manufactured in accordance with EN 60335-1, and RoHS directive 2015/863/CE
IP class according to EN 60034-5 to be checked with operation and installation

Issued: 2022-06-29 at 07:36 Documentations and pictures are non contractual, all the data of the technical file and the drawing are subject to change.

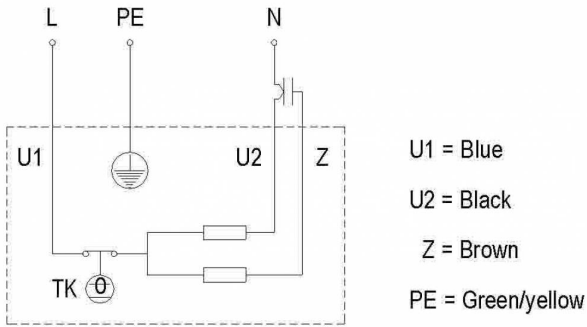
EN - Page 1 / 4

TECHNICAL DATA

Description

- Weight: 3.30 kg
- Class F
- Protection level: 20 | Protection against ingress of solid with diameter $\geq 12,5$ mm / No protection
- Motor's protection T150° C Automatic reset
- Bearing type: 2 ball bearings 608ZZ
- Balance level: G2.5

Wiring diagram



Finishes

- Rotor : black paint
- Maximum temperature on steel impeller 220°C.
- Galvanized steel impeller
- Galvanized steel scroll housing

The product is manufactured in accordance with EN 60335-1, and RoHS directive 2015/863/CE
IP class according to EN 60034-5 to be checked with operation and installation

Issued: 2022-06-29 at 07:36 Documentations and pictures are non contractual, all the data of the technical file and the drawing are subject to change.

EN - Page 2 / 4



by



ADDITIONAL DATA

Accessories

- 19019 | Capacitor
- 19049 | Capacitor
- 21197 | Finger guard

Documentations

- Operating and recycling manual
<http://www.ecofit.com/anglais/normes>

Measurement setup

- Scroll 15186-0 VOLUTE VH98 4F/126 GALVA

ERP DATA

ErP Directive ErP (EU 2009/125/EC) not applicable:

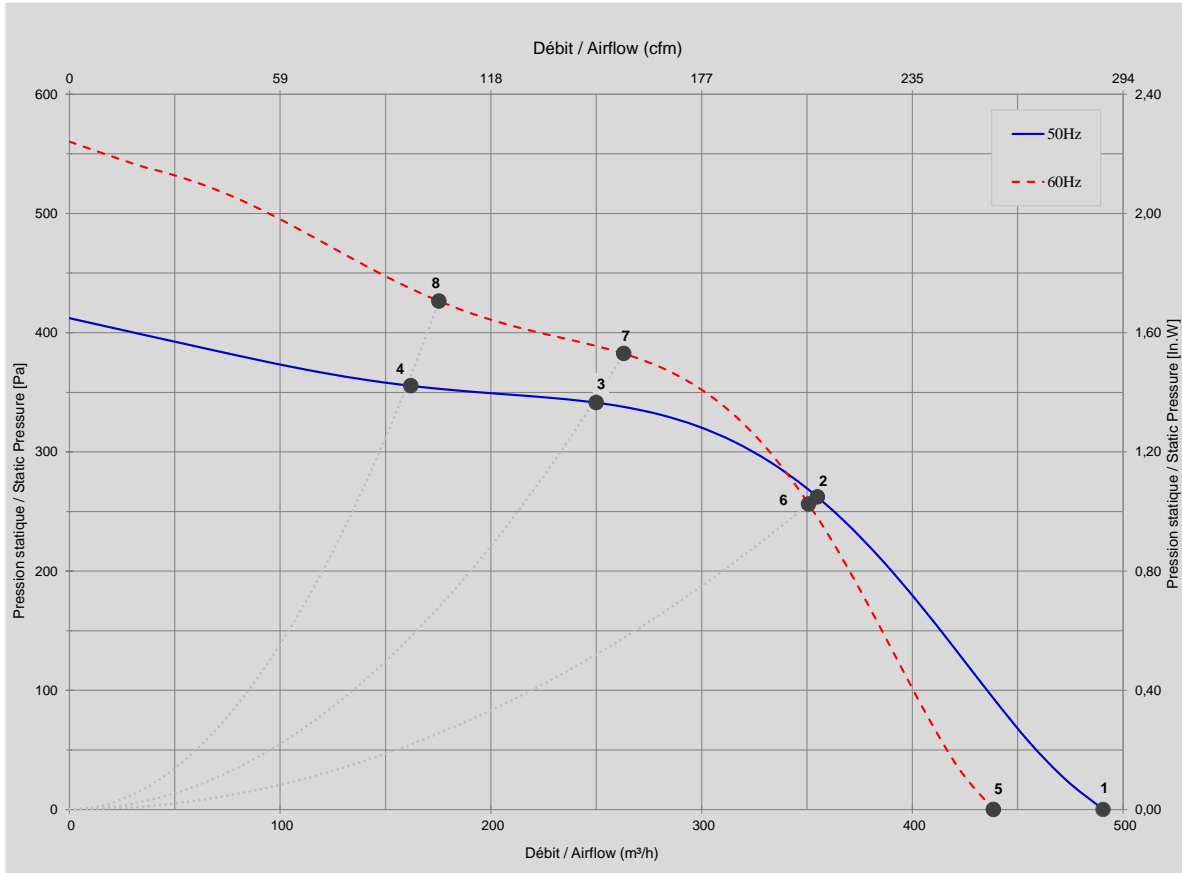
- Designed specifically where operating temperatures of the gas being moved exceed 100 °C

*The product is manufactured in accordance with EN 60335-1, and RoHS directive 2015/863/CE
IP class according to EN 60034-5 to be checked with operation and installation*

Issued: 2022-06-29 at 07:36 Documentations and pictures are non contractual, all the data of the technical file and the drawing are subject to change.

EN - Page 3 / 4

TECHNICAL DATA



Mesures / Measured Values *

	Un (V)	F (Hz)	C (µF)	P (W)	n (RPM)	Q (m³/h)	P (Pa)	Q (cfm)	P (In.W)	Lp _m (dBA)
1	230	50	4	150	1830	491	0	289	0,000	62
2	230	50	4	126	2336	355	262	209	1,050	63
3	230	50	4	108	2562	250	341	147	1,367	61
4	230	50	4	96	2686	162	355	95	1,424	61
5	230	60	3,5	161	1670	439	0	258	0,000	60
6	230	60	3,5	150	2348	351	256	206	1,027	62
7	230	60	3,5	135	2703	263	382	155	1,532	62
8	230	60	3,5	122	2991	175	426	103	1,708	63

* Air performance measured according to: ISO 5801, installation category C.
Intake-side sound level: according to ISO 3744, LpA measured at 1 m distance from fan axis. The values given are only applicable under the specified measuring conditions and may differ depending on the installation conditions. In the event of deviation

The product is manufactured in accordance with EN 60335-1, and RoHS directive 2015/863/CE
IP class according to EN 60034-5 to be checked with operation and installation