



2GRFu65 180x52R

J18-A3-3



**DATA SHEET**

release. a - Revision 12-2018

Voltage	Frequency	Input Power	Input Current	Capacitor	Airflow	Rotation speed	Acoustic level	Direction rotation	Admissible Temperature
V	Hz	W	A	µF	m³/h	RPM	dBA	↻	Min/Max
230	50	411	1,79	8,0	685	2145	68	R	-40°C / +60°C
230	60	413	1,8	8,0	525	2580	64	R	-40°C / +40°C
230	50				403 CFM				-40°F / 140°F
230	60				309 CFM				-40°F / 104°F



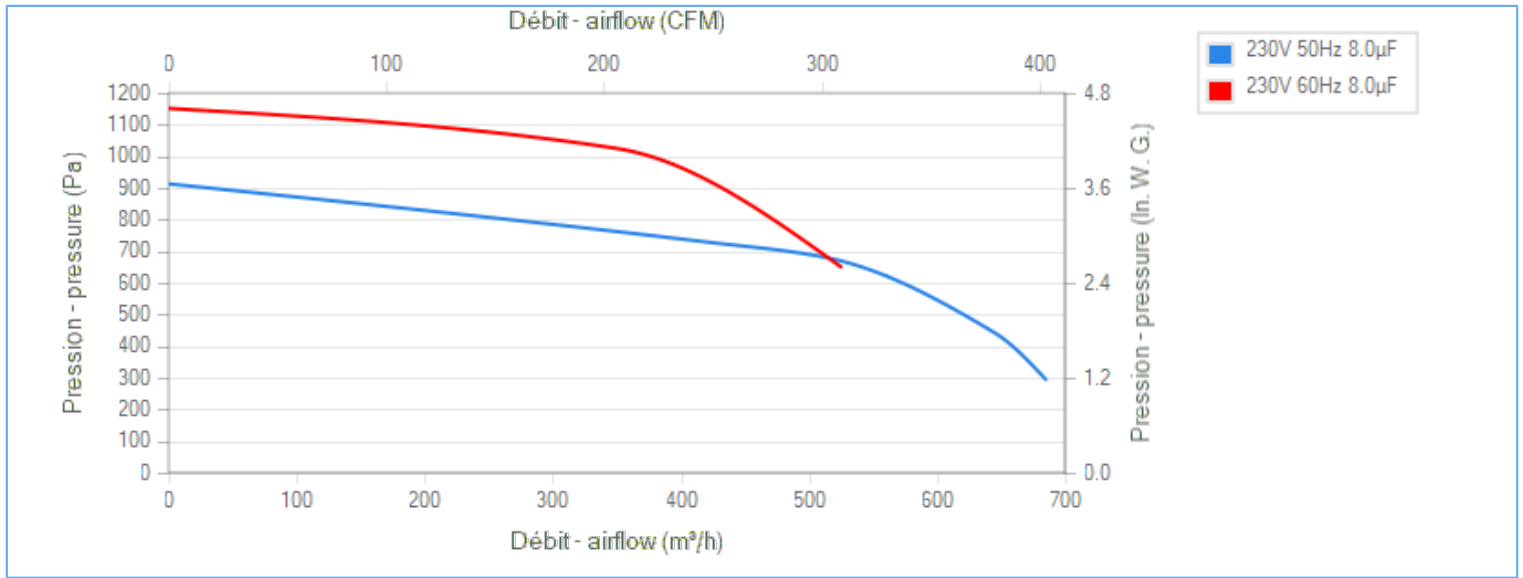
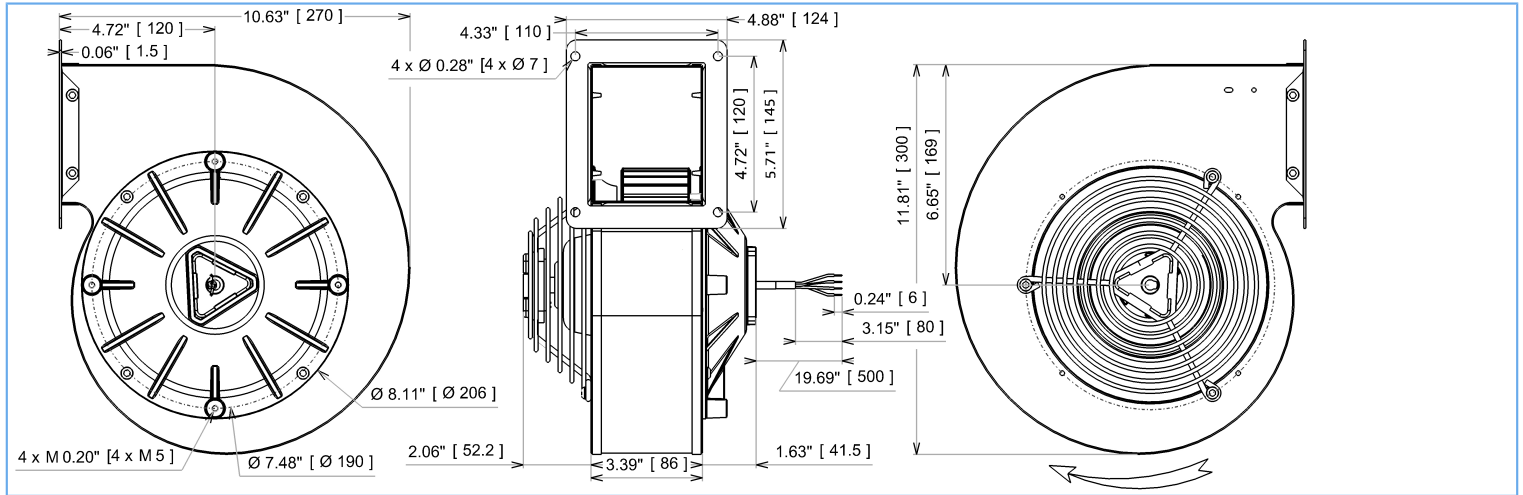
dBA : free blowing

ErP 2013

OK

ErP 2015

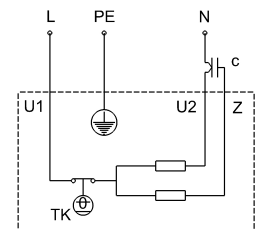
OK



**Description**

- .Weight : 6,3 Kg
- .Ball bearing
- .Class F, thermally protected
- .IP54 protection depending on installation and position as per EN60034-5
- .G2.5 balancing
- .Galvanized steel impeller
- .Scroll housing : black paint
- .Motor - UL Recognized component

U1 = Blue  
 U2 = Black  
 Z = Brown  
 PE = Green/Yellow



Non contractual document. All specifications are subject to change without prior notice. Picture for information only.



2GRFu65 180x52R

J18-A3-3



# DATA SHEET

release. a - Revision 12-2018

## Data in accordance to ErP directive

Voltage	230	V
Frequency	50	Hz
Power	0,280	kW <sup>(1)</sup>
Airflow	515	m <sup>3</sup> /h <sup>(1)</sup>
Pressure	678,7	Pa <sup>(1)</sup>
Rotation speed	2571	RPM <sup>(1)</sup>

(1) at optimal efficiency point

	Actual	Request 2013	Request 2015
Overall efficiency ( $\eta$ )	34,7	27,2	34,2
Efficiency grade	45	37	44
Installation category	A		
Efficiency category	static		
Variable speed drive	No		
Specific ratio	1,00		

Designed for regular application according ErP directive EU 2009/125/EC

## Accessories

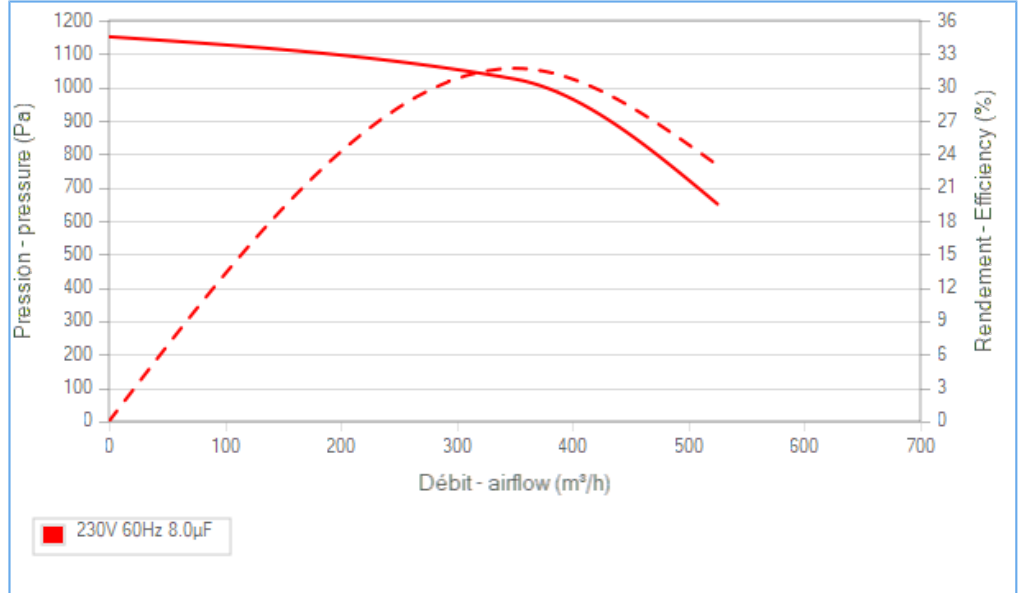
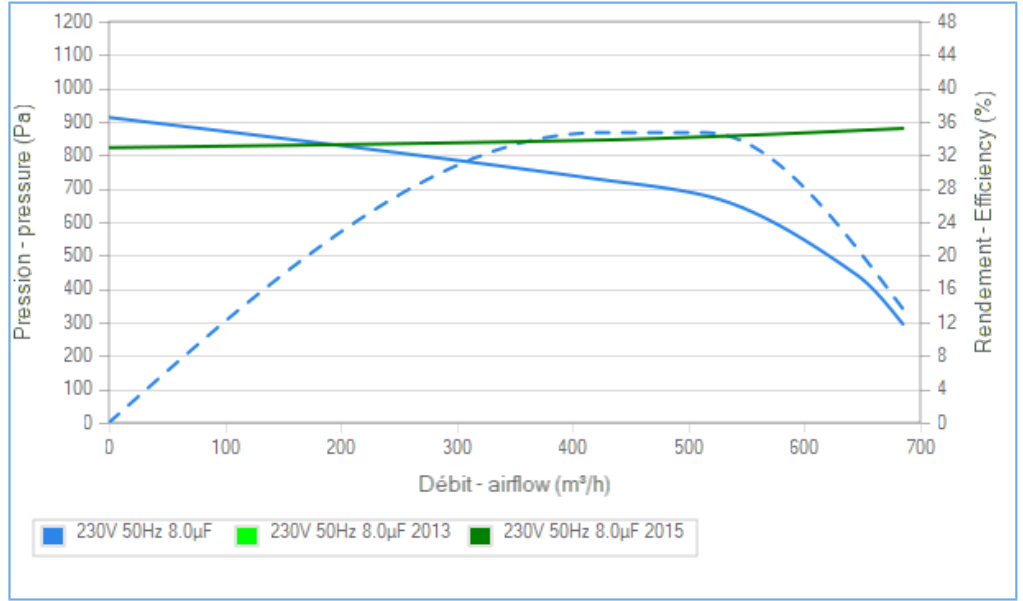
- 19222
- 19222

## Measurement setup

Contact ECOFIT

## Documents

- Manuel d'utilisation [www.ecofit.com/site/normes](http://www.ecofit.com/site/normes)
- Operating and recycling manual [www.ecofit.com/anglais/normes](http://www.ecofit.com/anglais/normes)



Non contractual document. All specifications are subject to change without prior notice. Picture for information only.



UL2111 (XEW2,8)  
N° file E135223  
2GS965