



2GREu25 140x59R

C45-B8 p



DATA SHEET

release. e - Revision 07-2016

Voltage	Frequency	Input Power	Input Current	Capacitor	Airflow	Rotation speed	Acoustic level	Direction rotation	Admissible Temperature
V	Hz	W	A	µF	m³/h	RPM	dBA		Min/Max
230	50	174	0,78	4,0	540	2270	65	R	-40°C / +70°C
230	60	216	0,94	4,0	495	2100	63	R	-40°C / +60°C
230	50				317 CFM				-40°F / 158°F
230	60				291 CFM				-40°F / 140°F



dBa : free blowing

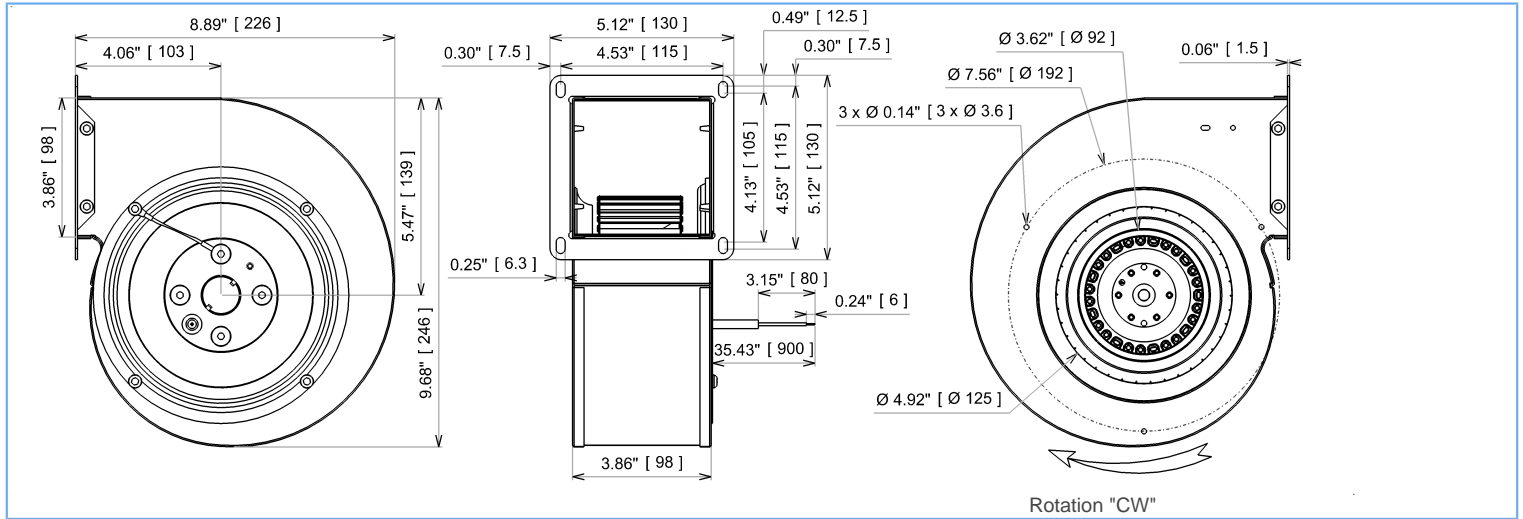
NA : not applicable

ErP 2013

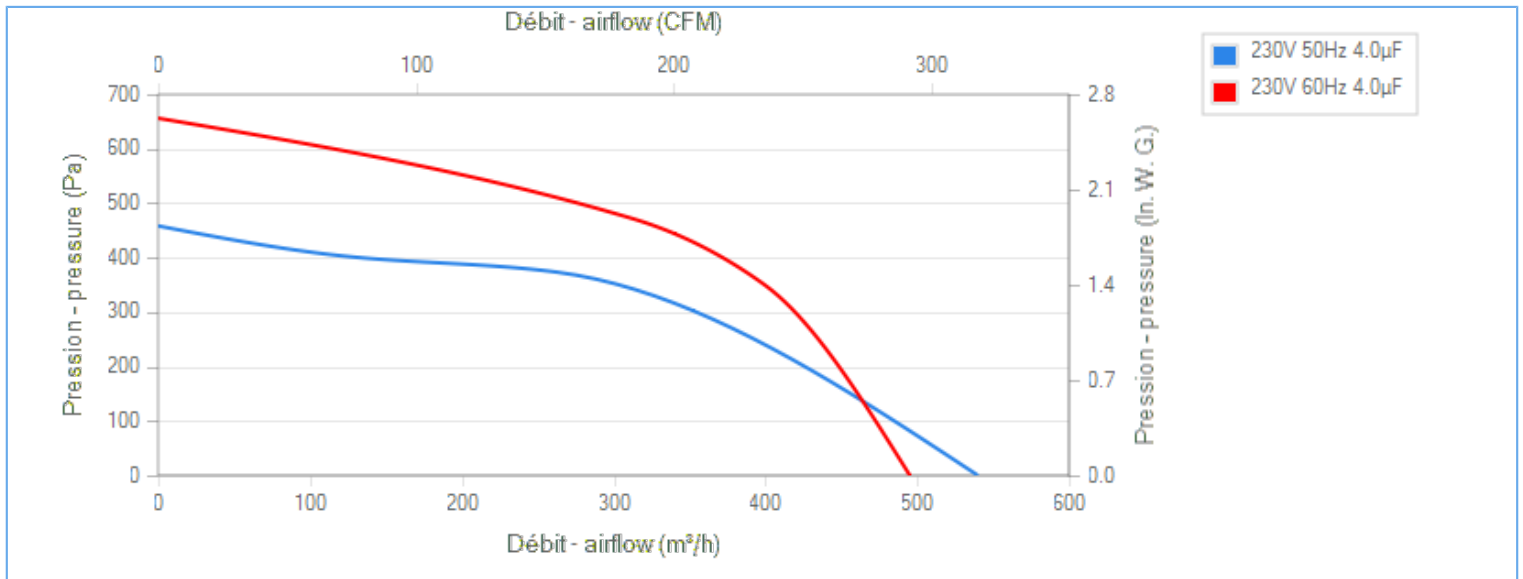
NA

ErP 2015

NA

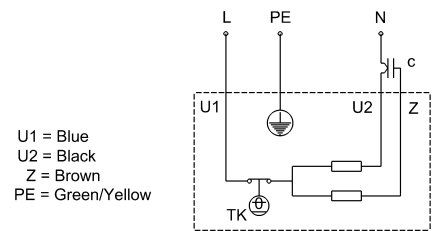


Rotation "CW"



Description

- .Weight : 2,9 Kg
- .Ball bearing
- .Class F, thermally protected
- .IP44 protection depending on installation and position as per EN60034-5
- .G2.5 balancing
- .Galvanized steel impeller
- .Rotor : black paint
- .Scroll housing : black paint
- .Motor - UL Recognized component



Non contractual document. All specifications are subject to change without prior notice. Picture for information only.



2GREu25 140x59R

C45-B8 p



DATA SHEET

release. e - Revision 07-2016

Data in accordance to ErP directive

Voltage	230	V
Frequency	50	Hz
Power	0,109	kW ⁽¹⁾
Airflow	263	m ³ /h ⁽¹⁾
Pressure	373	Pa ⁽¹⁾
Rotation speed	2714	RPM ⁽¹⁾

(1) at optimal efficiency point

ErP directive (EU 2009/125/EC) not applicable :
Power at optimum energy efficiency point

Accessories

- 19220
- 19220
- 21325

Measurement setup

Contact ECOFIT

Documents

Manuel d'utilisation
www.ecofit.com/site/normes

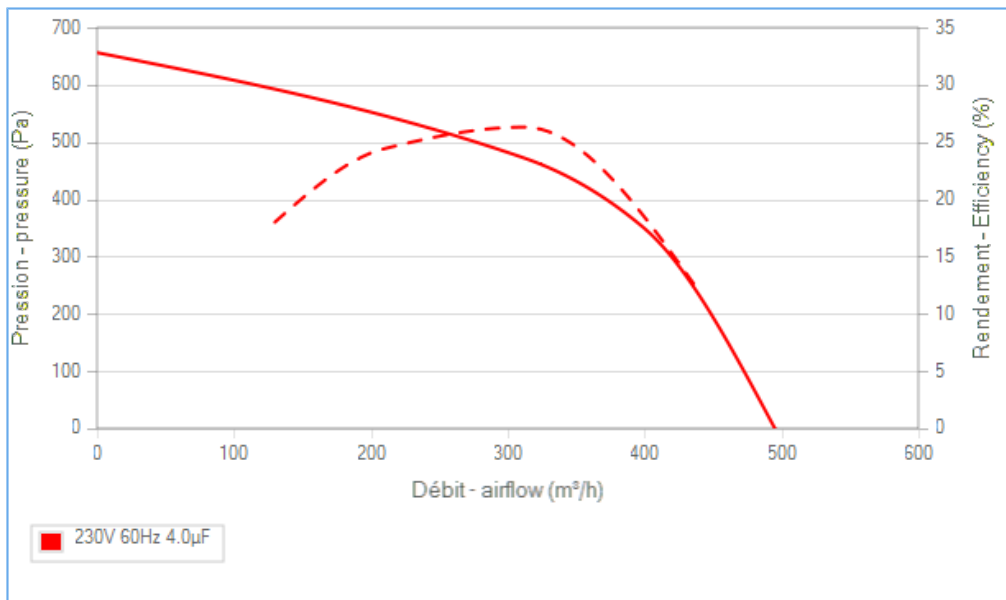
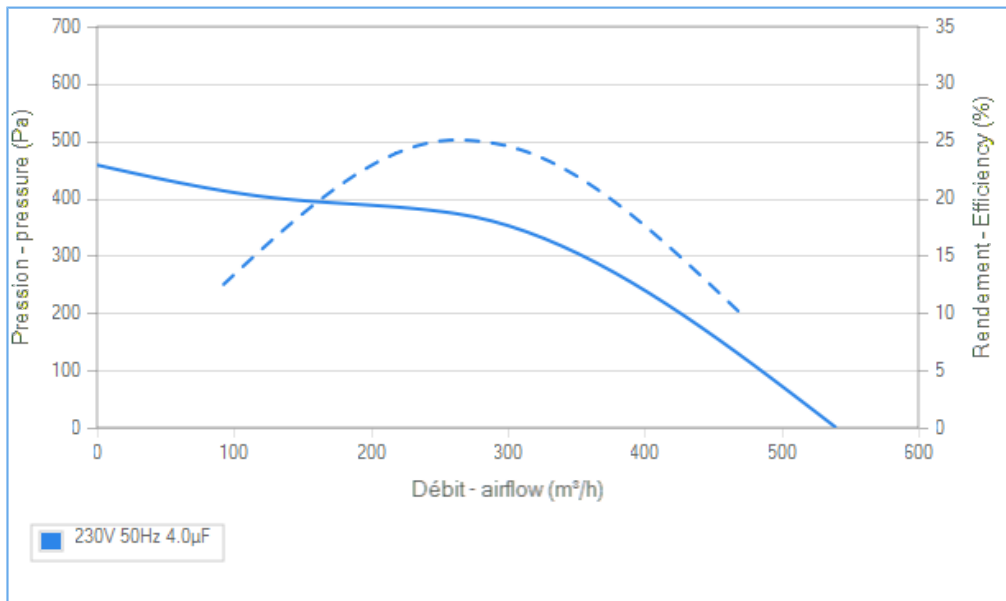
Operating and recycling manual
www.ecofit.com/anglais/normes



UL2111 (XEW2,8)
N° file E135223
2RS925



A041865
2RS925CN



Non contractual document. All specifications are subject to change without prior notice. Picture for information only.