



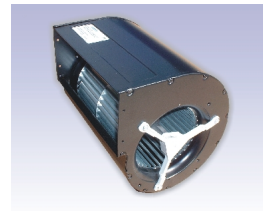
2GDSu35 133x190L

C50-A9 p

**DATA SHEET**

release. c - Revision 08-2018

Voltage	Frequency	Input Power	Input Current	Capacitor	Airflow	Rotation speed	Acoustic level	Direction rotation	Admissible Temperature
V	Hz	W	A	µF	m³/h	RPM	dBA	↻	Min/Max
230	50	225	0,98	5,0	790	1745		L	-40°C / +50°C
230	60	218	0,95	4,0	605	1905		L	-40°C / +50°C
230	50				465 CFM				-40°F / 122°F
230	60				356 CFM				-40°F / 122°F



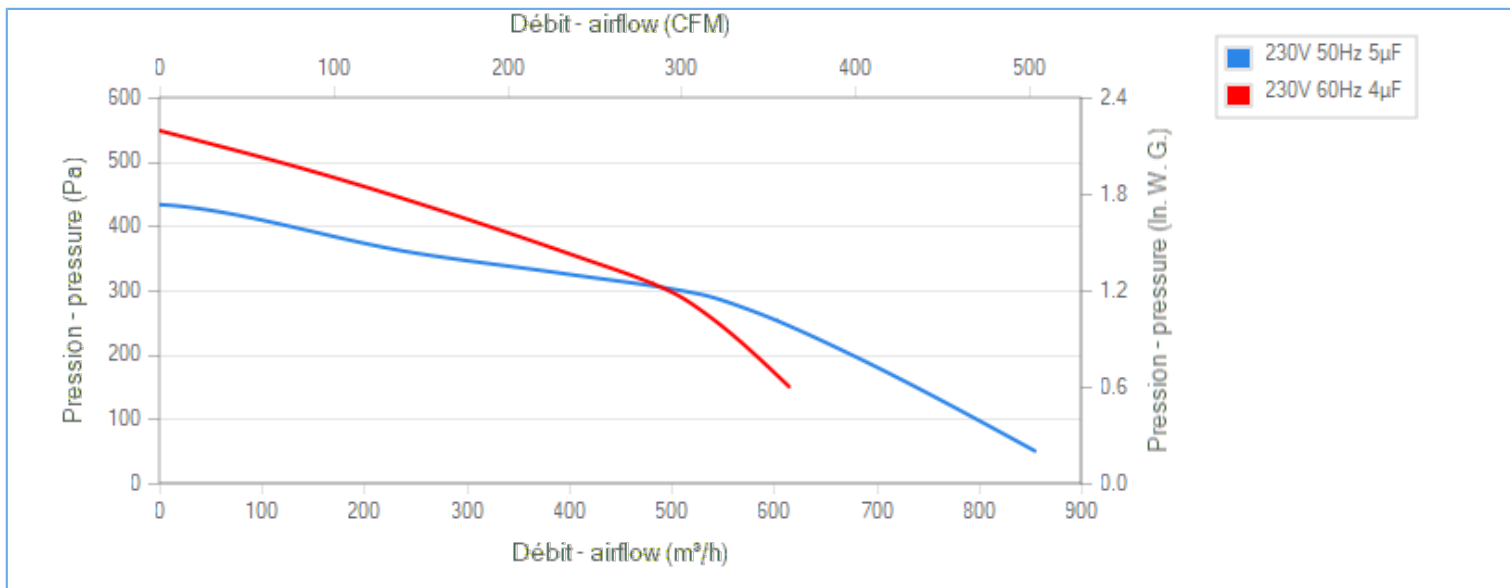
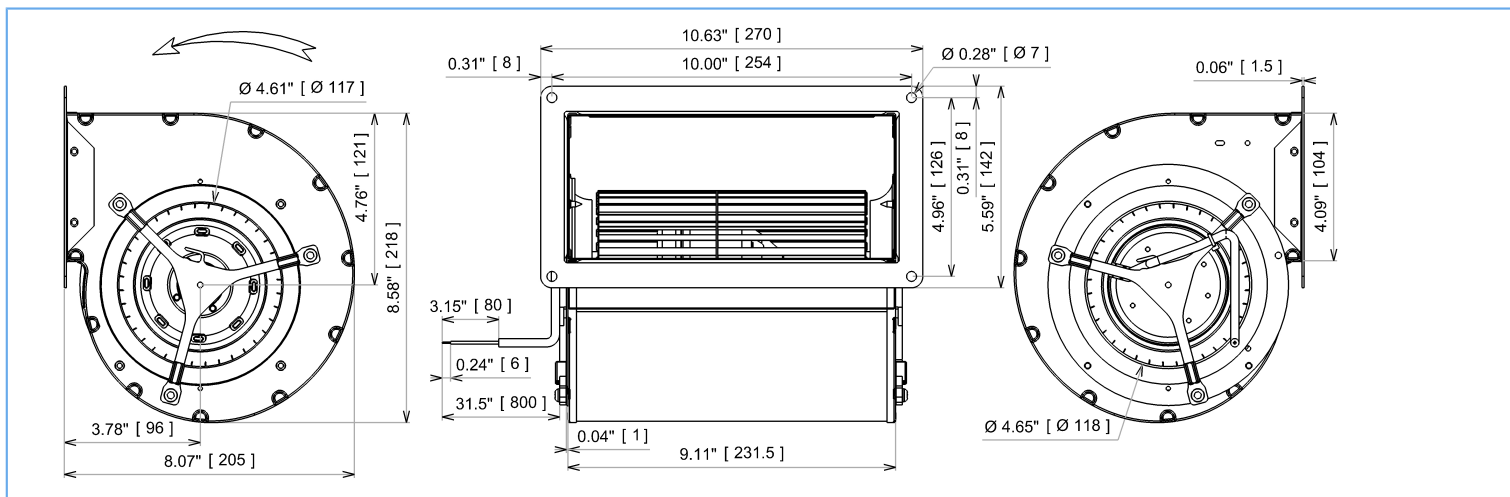
dBA : free blowing

ErP 2013

**NOK**

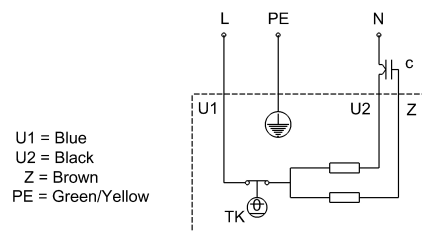
ErP 2015

**NOK**



**Description**

- .Weight : 4,0 Kg
- .Ball bearing
- .Class F, thermally protected
- .IP44 protection depending on installation and position as per EN60034-5
- .G2.5 balancing
- .Scroll housing : black paint
- .Galvanized steel impeller
- .Motor - UL Recognized component





2GDSu35 133x190L

C50-A9 p

# DATA SHEET

release. c - Revision 08-2018

## Data in accordance to ErP directive

Voltage	230	V
Frequency	50	Hz
Power	0,177	kW <sup>(1)</sup>
Airflow	526	m <sup>3</sup> /h <sup>(1)</sup>
Pressure	294	Pa <sup>(1)</sup>
Rotation speed	2377	RPM <sup>(1)</sup>
(1) at optimal efficiency point		

For service use only in Europe according ErP directive EU 2009/125/EC

## Accessories

- 19216
- 19220
- 21338

## Measurement setup

Contact ECOFIT

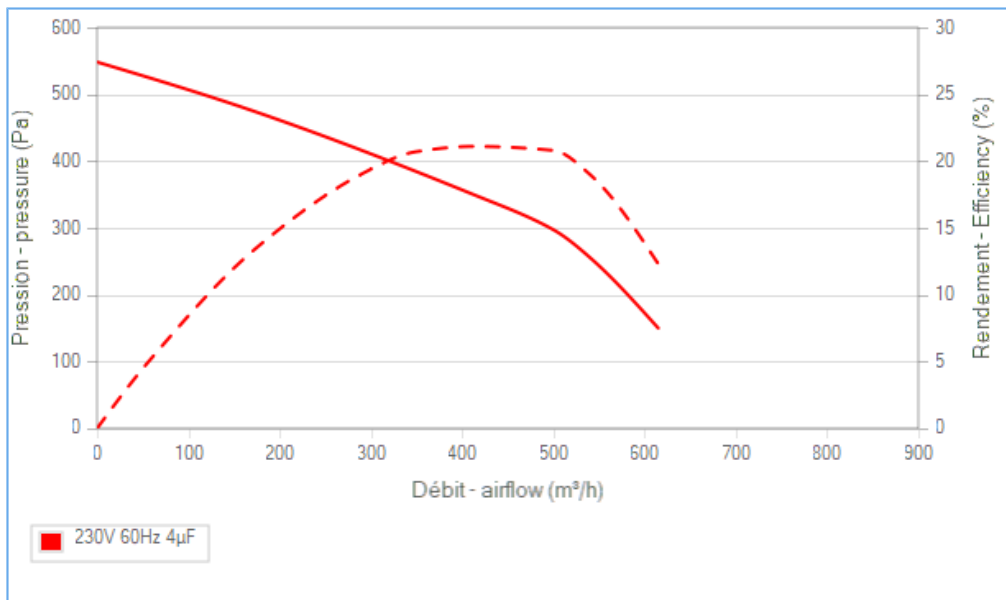
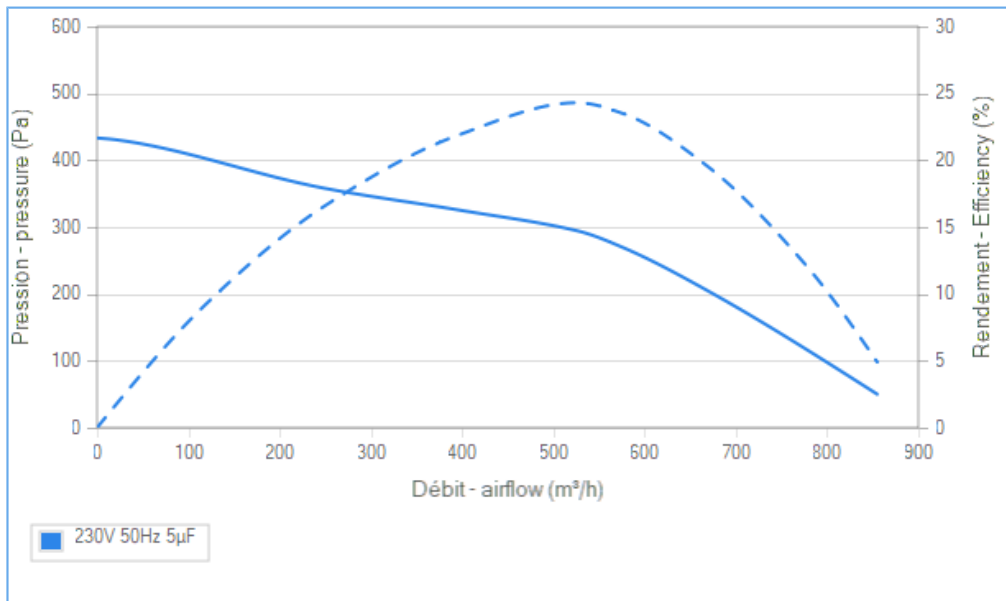
## Documents

Manuel d'utilisation  
[www.ecofit.com/site/normes](http://www.ecofit.com/site/normes)

Operating and recycling manual  
[www.ecofit.com/anglais/normes](http://www.ecofit.com/anglais/normes)



UL2111 (XEW2,8)  
 N° file E135223  
 2SS935



Non contractual document. All specifications are subject to change without prior notice. Picture for information only.