



4TGS35 133x400R

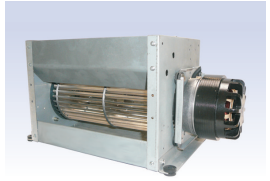
Z21-35 p



DATA SHEET

release. e - Revision 06-2018

Voltage	Frequency	Input Power	Input Current	Capacitor	Airflow	Rotation speed	Acoustic level	Direction rotation	Admissible Temperature
V	Hz	W	A	µF	m³/h	RPM	dBA	↻	Min/Max
230	50	108	0,5	2,5	930	875	54	R	-20°C / +70°C
230	60	119	0,53	2,5	945	865	55	R	-20°C / +70°C
230	50				547 CFM				-4°F / 158°F
230	60				556 CFM				-4°F / 158°F



dBA : free blowing

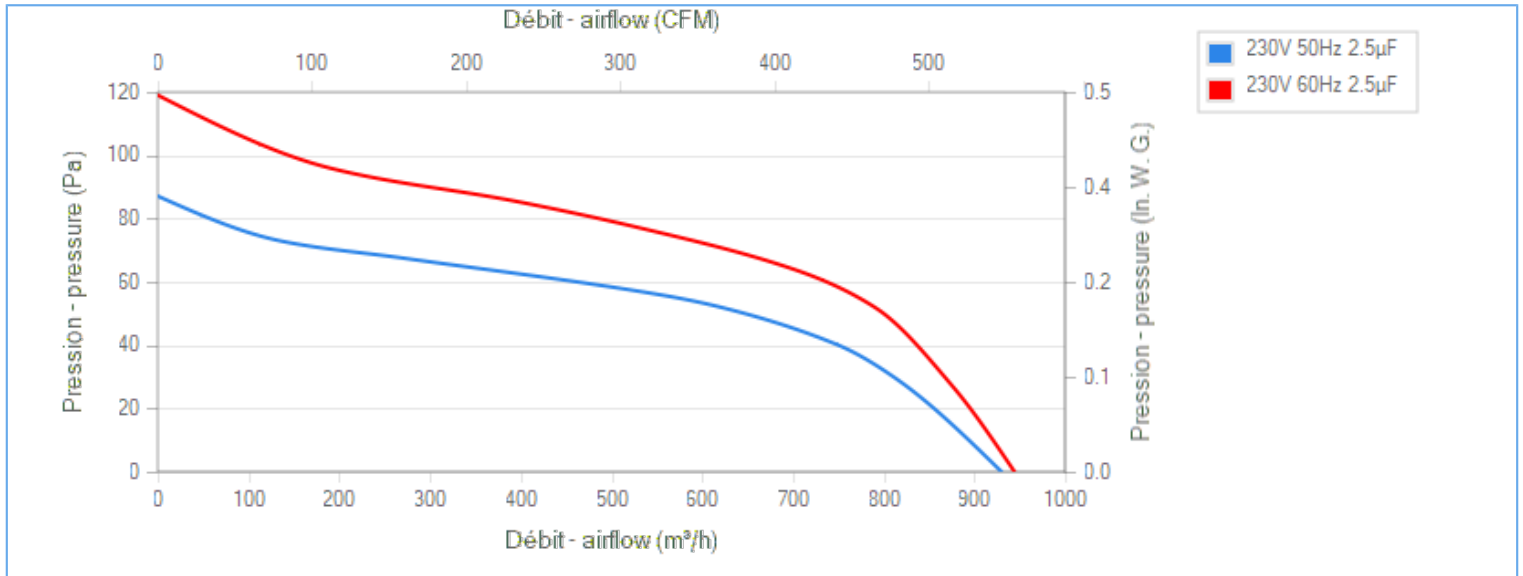
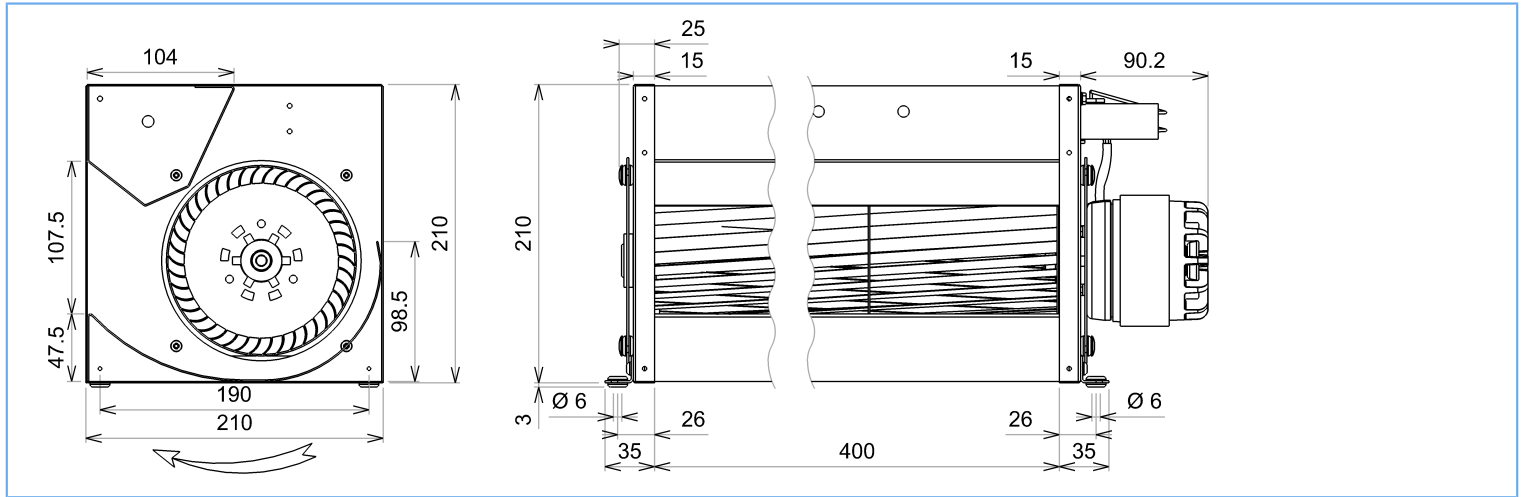
NA : not applicable

ErP 2013

NA

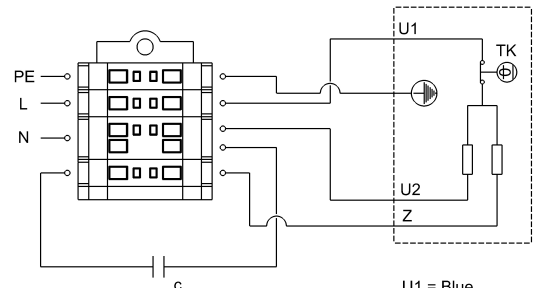
ErP 2015

NA



Description

- .Weight : 6,0 Kg
- .Ball bearing
- .Class F, thermally protected
- .IP20 Protection depending on installation and position as per EN60034-5
- .G2.5 balancing
- .Zinc coated steel scroll housing
- .Aluminium impeller
- .Capacitor fixed on the scroll and wired to a WAGO Connector



U1 = Blue
U2 = Black
Z = Brown
PE = Green/yellow

Non contractual document. All specifications are subject to change without prior notice. Picture for information only.



4TGS35 133x400R

Z21-35 p



DATA SHEET

release. e - Revision 06-2018

Data in accordance to ErP directive

Voltage	230	V
Frequency	50	Hz
Power	0,086	kW ⁽¹⁾
Airflow	620	m ³ /h ⁽¹⁾
Pressure	52	Pa ⁽¹⁾
Rotation speed	1214,5	RPM ⁽¹⁾

(1) at optimal efficiency point

ErP directive (EU 2009/125/EC) not applicable :
Power at optimum energy efficiency point

Accessories

-
-
-

Measurement setup

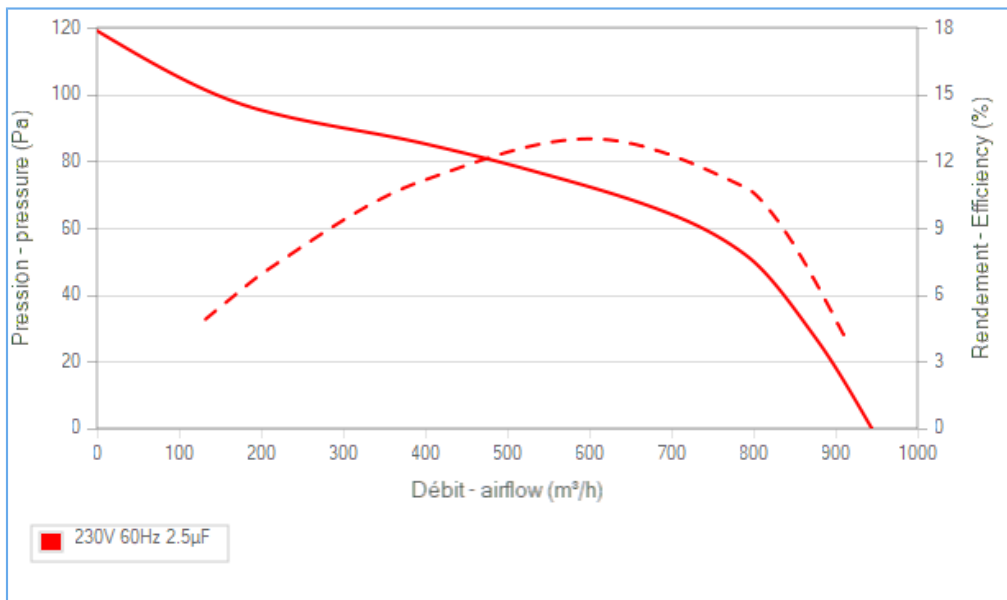
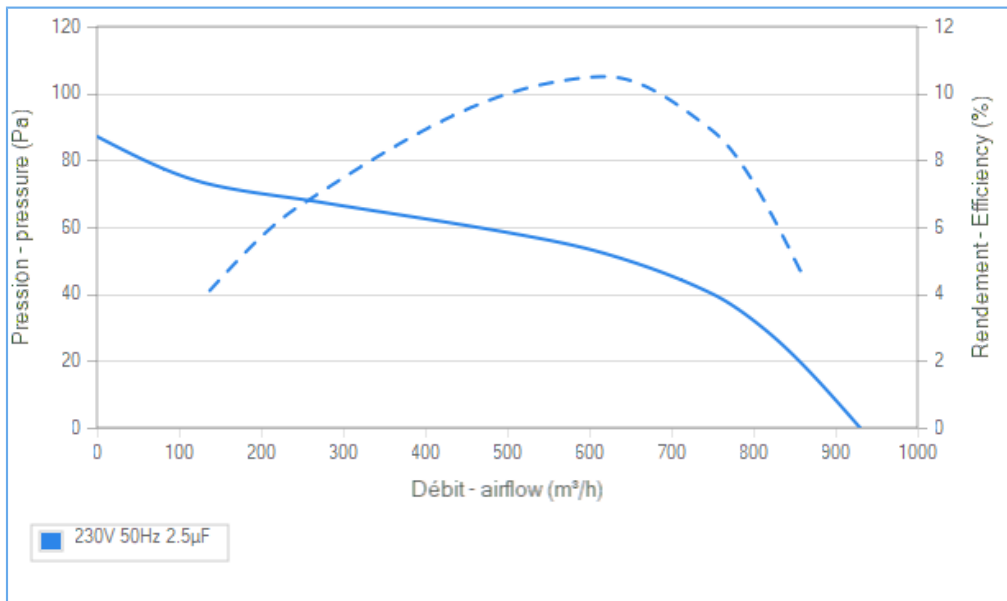
Contact ECOFIT

Documents

- Manuel d'utilisation
www.ecofit.com/site/normes
- Operating and recycling manual
www.ecofit.com/anglais/normes



A041865
4RS935CN



Non contractual document. All specifications are subject to change without prior notice. Picture for information only.