



GDSuG9 146x188R

M22-A7-1



**DATA SHEET**

release. g - Revision 04-2017

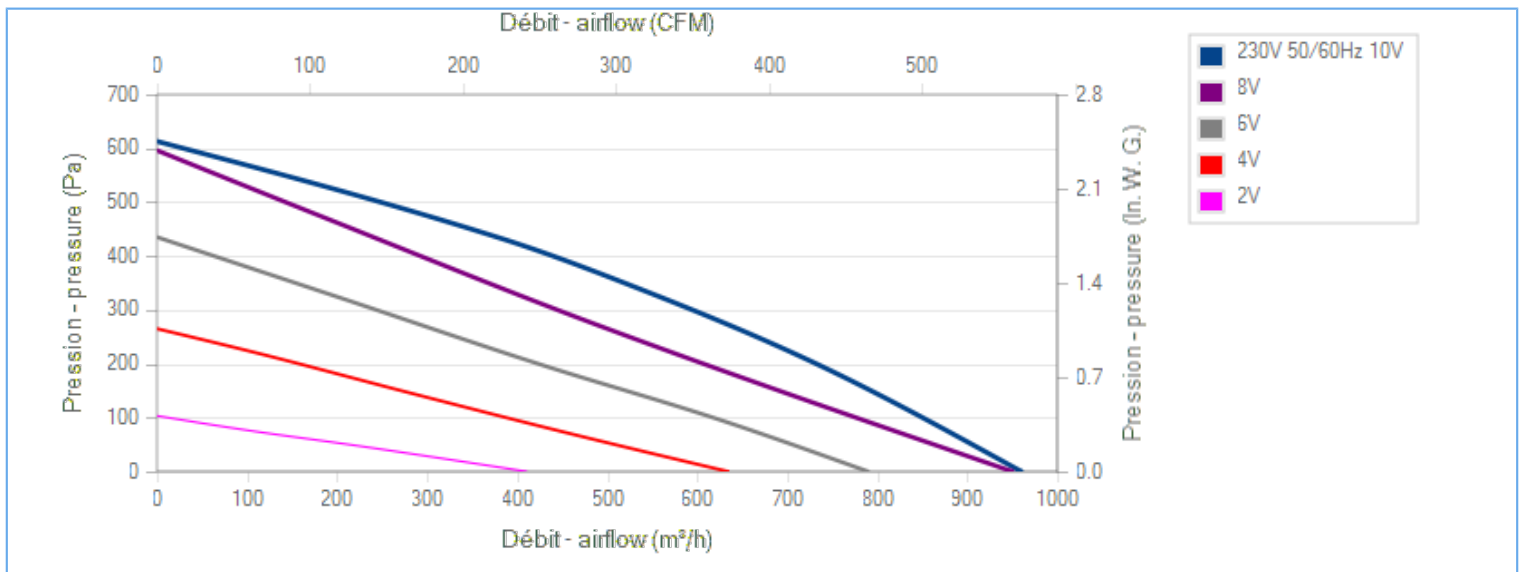
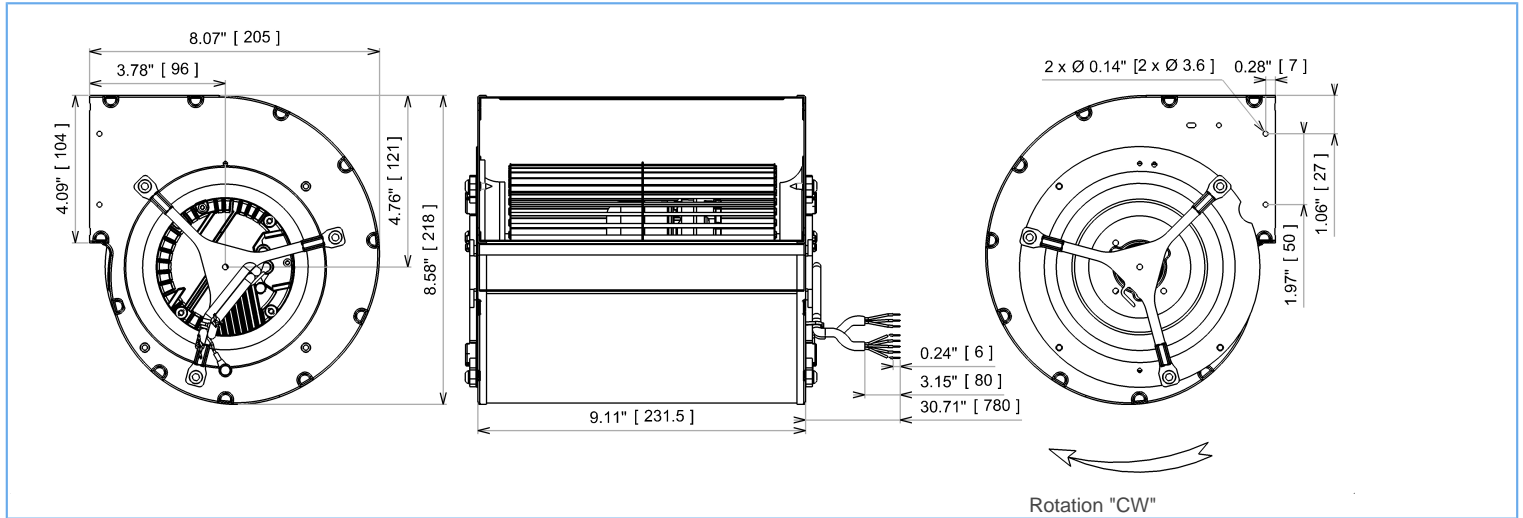
Voltage	Frequency	Input Power	Input Current	Airflow	Rotation speed	Acoustic level	Direction rotation	Admissible Temperature
V	Hz	W	A	m <sup>3</sup> /h	RPM	dBA		Min/Max
230	50/60	98	0,86	960	1230	59	R	-20°C / +50°C
230	50/60			565 CFM				-4°F / 122°F



dBA : free blowing

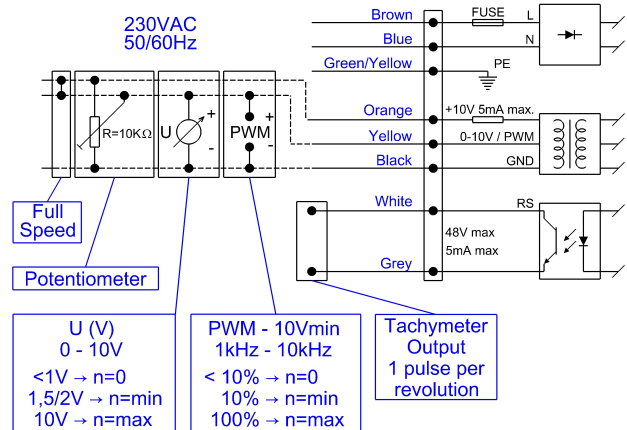
ErP 2013 **OK**

ErP 2015 **OK**



**Description**

- .Weight : 3,3 Kg
- .Ball bearing
- .Insulation Class F
- .IP4x may be IP44 according to EN60034-5 after checking the integration into the customer appliance
- .G2.5 balancing
- .Scroll housing : black paint
- .Galvanized steel impeller



U (V)  
0 - 10V  
<1V → n=0  
1,5/2V → n=min  
10V → n=max

PWM - 10Vmin  
1kHz - 10kHz  
< 10% → n=0  
10% → n=min  
100% → n=max

Tachymeter  
Output  
1 pulse per  
revolution

Non contractual document. All specifications are subject to change without prior notice. Picture for information only.



GDSuG9 146x188R

M22-A7-1



# DATA SHEET

release. g - Revision 04-2017

## Data in accordance to ErP directive

Voltage	230	V
Frequency	50	Hz
Power	0,140	kW <sup>(1)</sup>
Airflow	533	m <sup>3</sup> /h <sup>(1)</sup>
Pressure	341	Pa <sup>(1)</sup>
Rotation speed	2355	RPM <sup>(1)</sup>

(1) at optimal efficiency point

	Actual	Request 2013	Request 2015
Overall efficiency ( $\eta$ )	41,2	25,3	32,3
Efficiency grade	53	37	44
Installation category	A		
Efficiency category	static		
Variable speed drive	Yes		
Specific ratio	1,00		

Designed for regular application according ErP directive EU 2009/125/EC

## Accessories

21338

## Measurement setup

Contact ECOFIT

## Documents

Manuel d'utilisation  
[www.ecofit.com/site/normes](http://www.ecofit.com/site/normes)

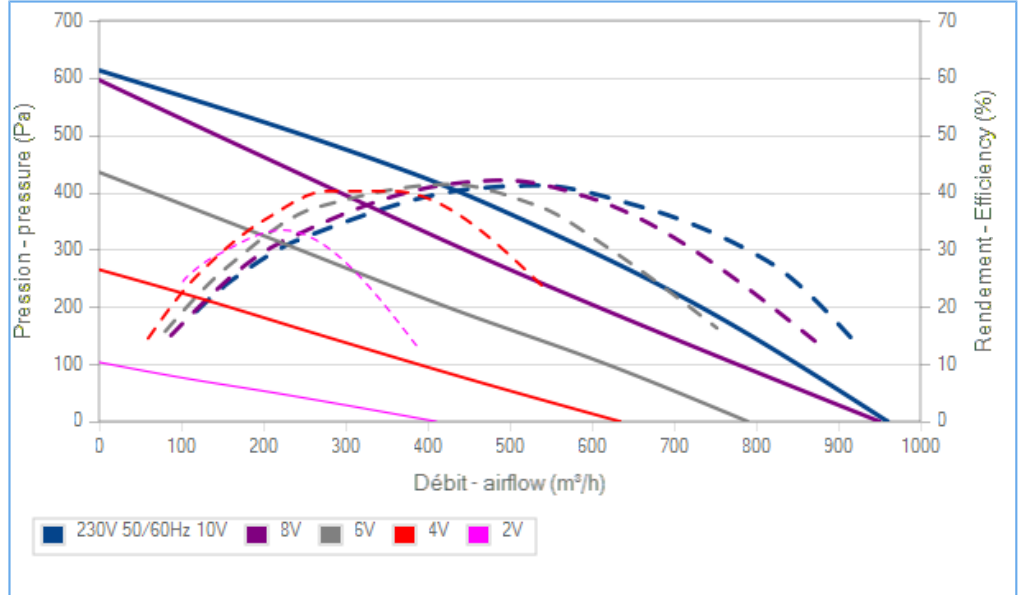
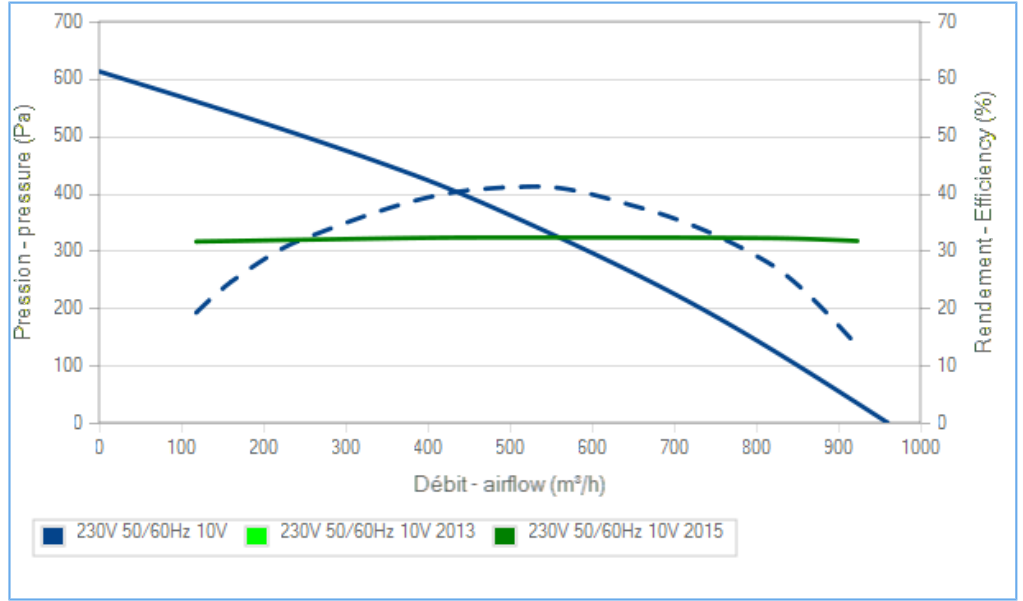
Operating and recycling manual  
[www.ecofit.com/anglais/normes](http://www.ecofit.com/anglais/normes)



IEC 60335-2-80:2002 + A1:2004 + IEC 60335-1:2010  
 EN 60335-2-80:2003 + A1:2004 + A2:2009 + EN 60335-1:2012  
 RT9192CE



UL1004-1, 2nd edition "rotating electrical machine"  
 UL1004-3, 1st edition "thermally protected motors"  
 UL1004-7, 2nd edition "electronically protected motors"  
 C22.2 N°100-04, 6th edition "motors and generator"  
 C22.2 N°77-95, 7th edition "motors with inherent overheating protection"  
 UL Motor Model : RT9192  
 File Number : E326930 XDNW2,8



La courbe de rendement intègre le facteur de compensation de charge partielle du règlement (UE) n°327/2011  
 The efficiency curve includes part load compensation factor of regulation (EU) n°327/2011

Non contractual document. All specifications are subject to change without prior notice. Picture for information only.