

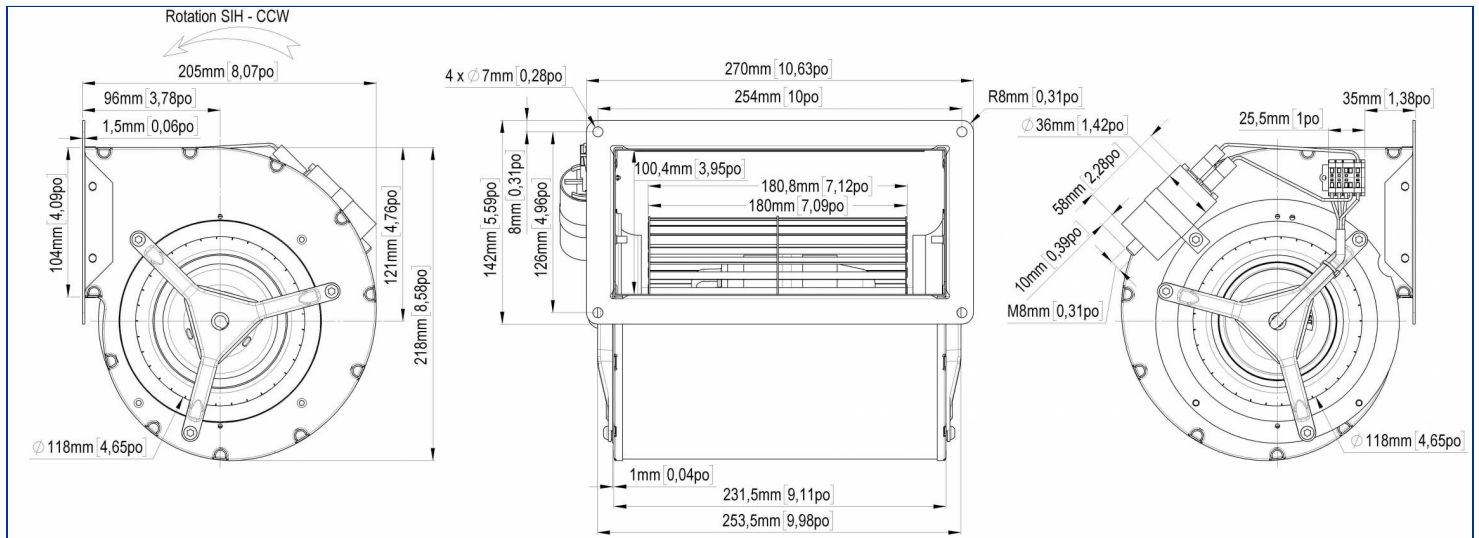


Designation **2GDFu65 146x180L**

Range Double inlet centrifugal fans with single phase asynchronous motor

ELECTRICAL DATA

Speed		
Tension (V)	230	230
Frequency (Hz)	50	60
Current (A)	1.40	1.39
Maximum current (A)	1.60	1.71
Power (W)	320	310
Maximum power (W)	336	358
Rotation (RPM)	1855	2250
Cos Φ	0.994	0.970
Temperature min/max (°C)	-25/+60	-25/+50
Capacitor (µF)	8.00	8.00
U_condo (V)	400	400



MARKING & STANDARDS

Conformity

- **UL 2GS965 2111 REC92 MonoPhasé (XEW2,8)**
File number E135223

ECOFIT IS ERR92 E135223
 2GDFu65 146x180L
 230V 50/60Hz CL.F. Ref. 400V
 1.41.39A 320/310W 1855/2250RPM IP54
 NOIR-BRUN CONDENSATEUR
 NOIR-BLEU SECTEUR
 Inert: 1.5/1.75 A
 Thermally Protected
 C50-B5 2GS965 22-20-0000

The product is manufactured in accordance with EN 60335-1, UL2111, and RoHS directive 2015/863/CE
 IP class according to EN 60034-5 to be checked with operation and installation

Issued: 29/05/2020 at 11:05 Documentations and pictures are non contractual, all the data of the technical file and the drawing are subject to change.

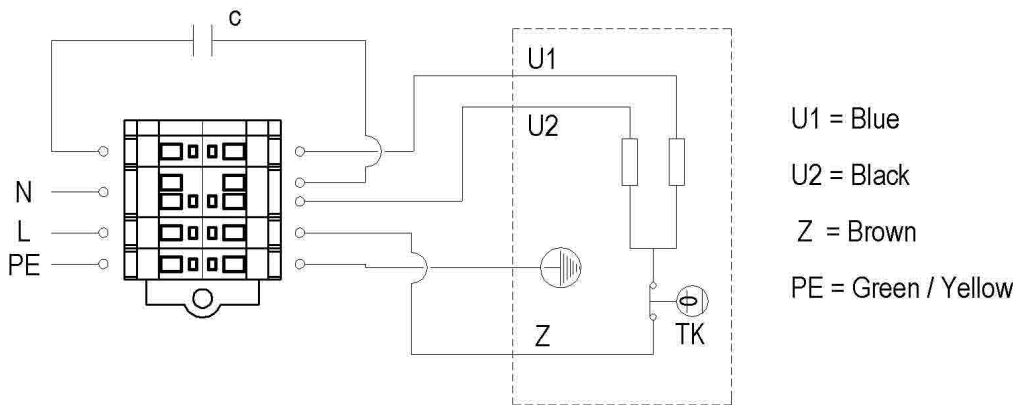
EN - Page 1 / 4

TECHNICAL DATA

Description

- Weight: 5.82 kg
- Without Condensat Drain Holes
- Class F
- Protection level: 54 | Protection against ingress of dust / Protection against ingress of water : splashing
- Motor's protection T150° C UL Automatic reset
- Bearing type: 2 ball bearings 6001ZZ
- Balance level: G2.5

Wiring diagram



Finishes

- Capacitor fixed on the scroll and wired to a WAGO Connector
- Motor - UL Recognized component
- Galvanized steel impeller
- Scroll housing : black paint

The product is manufactured in accordance with EN 60335-1, UL2111, and RoHS directive 2015/863/CE
IP class according to EN 60034-5 to be checked with operation and installation

Issued: 29/05/2020 at 11:05 Documentations and pictures are non contractual, all the data of the technical file and the drawing are subject to change.

EN - Page 2 / 4



ADDITIONAL DATA

Accessories

- 19222 | Capacitor
- 21290 | Finger guard

Documentations

- Operating and recycling manual
<http://www.ecofit.com/anglais/normes>

Measurement setup

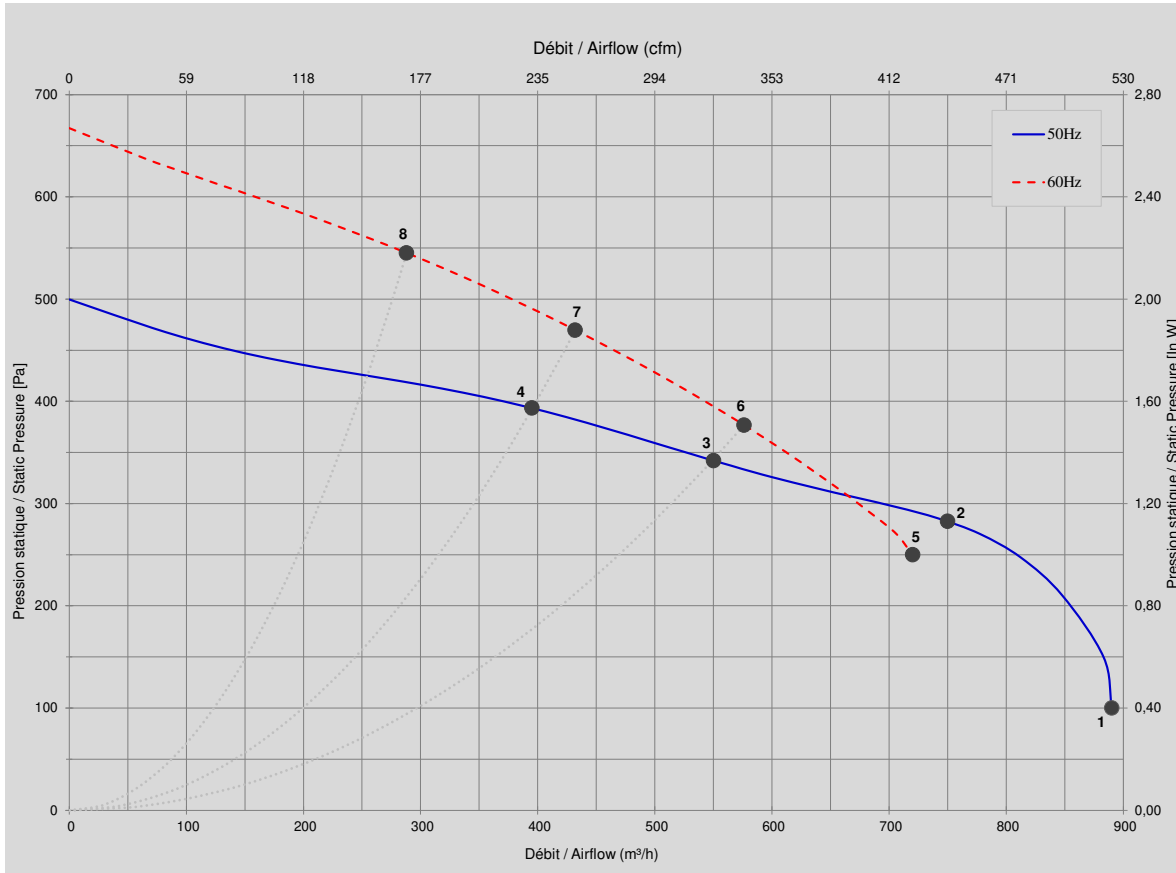
- Scroll 15292-c VOL VHD232 H23 XC PN +CAD

ERP DATA



- For maintenance usage only in Europe according to the directive EU 2009/125/EC

TECHNICAL DATA



Mesures / Measured Values *

	Un (V)	F (Hz)	C (µF)	P (W)	n (RPM)	Q (m³/h)	P (Pa)	Q (cfm)	P (In.W)	Lp _m (dBA)
1	230	50	8	320	1855	890	100	524	0,401	
2	230	50	8	261	2347	750	283	441	1,132	
3	230	50	8	209	2532	550	342	324	1,371	
4	230	50	8	181	2661	395	393	233	1,576	
5	230	60	8	310	2250	720	250	424	1,002	
6	230	60	8	281	2605	576	377	339	1,510	
7	230	60	8	258	2931	432	470	254	1,882	
8	230	60	8	237	3034	288	545	170	2,184	

* Air performance measured according to: ISO 5801, installation category C.
Intake-side sound level: according to ISO 3744, LpA measured at 1 m distance from fan axis. The values given are only applicable under the specified measuring conditions and may differ depending on the installation conditions. In the event of deviation

The product is manufactured in accordance with EN 60335-1, UL2111, and RoHS directive 2015/863/CE
IP class according to EN 60034-5 to be checked with operation and installation