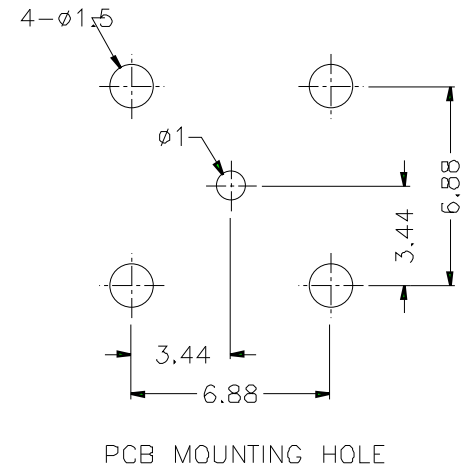
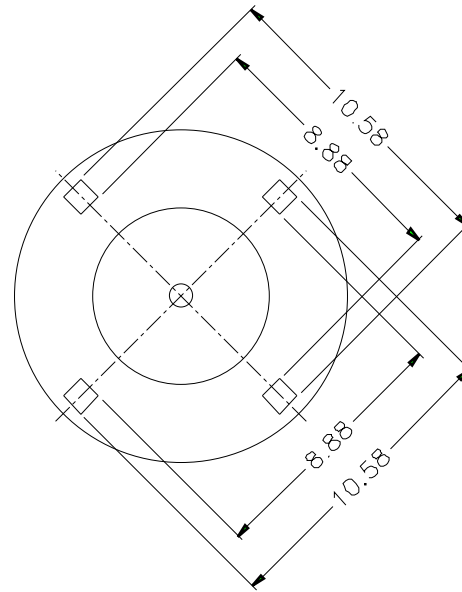
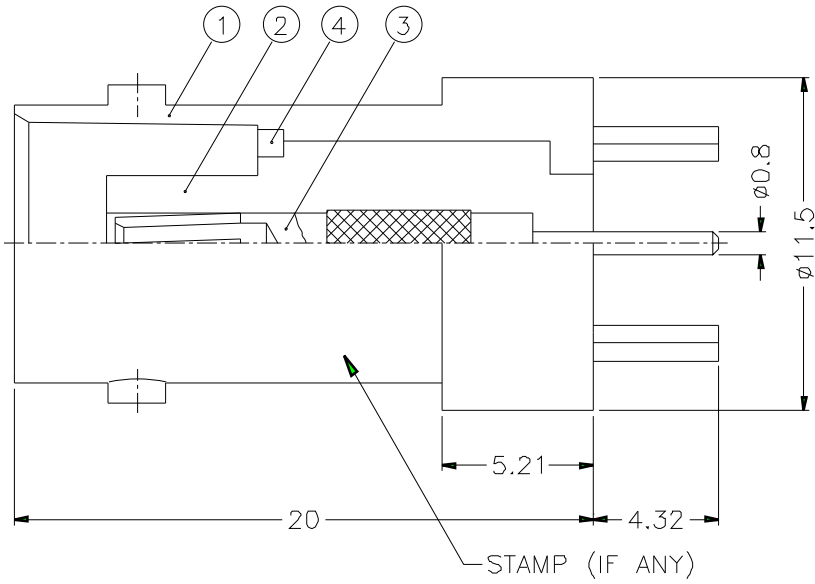


REVISIONS					
ISS	ZONE	DESCRIPTION\PER REQUEST\DATE			



NOTES: FINISH (PLATING THICKNESS IN MICRO-INCHES)

1. BRASS PER QQ-B-626
2. BRASS PER QQ-B-613
3. NICKEL PL. 100 MIN. THICK OVER COPPER STRIKE
4. PHOSPHOR BRONZE PER QQ-B-750
5. GOLD PL. 3 MIN. THICK OVER NICKEL PL. 100 MIN. THICK OVER COPPER STRIKE
6. TEFLON MIL-P-19468

DIMENSIONS ARE IN MILLIMETERS

UNLESS OTHERWISE SPECIFIED TOLERANCES

0.5-6	= ±0.2
6-30	= ±0.4
30-120	= ±0.6
120-315	= ±1
315-1000	= ±1.6
1000-2000	= ±2.4

PART NO.	B6251C1-003-NT3G-50
APPROVED	DATE 10-11-01'
CHECKED	DATE 10-11-01'
DRAWN	DATE 10-11-01'

Amphenol	
TITLE BNC P.C. MOUNT RECEPT. JACK	
DRAWING NO. KJ-B6251C1-003-NT3G-50	
ITEM NO.	

4	LOCK RING	NOTE 2	NOTE 3	1	B7700-4
3	CONTACT PIN	NOTE 4	NOTE 5	1	112515-3
2	INSULATOR	NOTE 6	NATURAL	1	112515-2
1	BODY	NOTE 1	NOTE 3	1	222006-175-1-B
NO.	DESCRIPTION	MATERIAL	FINISH	Q'TY	DRAWING NO

SCALE	4/1	ISSUE	A	FILE NO
-------	-----	-------	---	---------

1 2 3 4 5 6 7 8