



Heavy Equipment

- Display
- Electronic Toll System
- Lidar & Radar
- Measurement Systems
- Telematics & Tracking

- Control System
- Camera & Monitoring
- Automotive Diagnostics
- Agriculture Electronic Equipment
- ADAS (Advanced Driver Assistance Systems)



Marine

- AIS
- Autopilot System
- Chartplotter
- Sailing Instruments
- Shipyards & Cruise
- Multi-Function Display
- IP and Infrared CCTV & Cameras



Medical

- Medical Displays
- Non-invasive Devices



Industrial Automation

- Communication System
- Industrial Control
- Industrial Forklifts
- Industrial Network
- Industrial PC & Displays



Renewable Energy

- Communication System



Remote Video Response Center

- Alarm System
- CCTV / Dome / IP Camera
- Encoders
- Junction Box
- Monitoring Station
- Automatic LPRS (License Plate Recognition System)



Automotive Diagnostics

- Remote Vehicle Diagnostics



Railway Mass Transit

- Infotainment Systems
- In-Vehicle Information
- Navigation / GPS
- Vehicle Monitoring
- Indication Display



Autonomous

- GPS



Rugged IT

- Communication Devices
- Rugged Notebook
- Rugged Tablet



Transportation

- Bus GPS



UAV

- Commercial Drone
- Consumer Drone
- Military Drone



Test Equipment

- Floor Scales
- Heavy-duty scales
- Precision surveying







Lifts & Materials Handling

- Forklift
- Industrial Lift
- Materials Handling

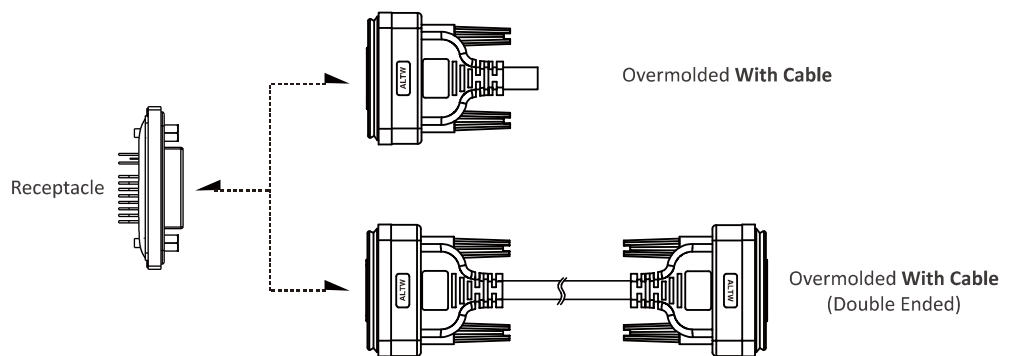
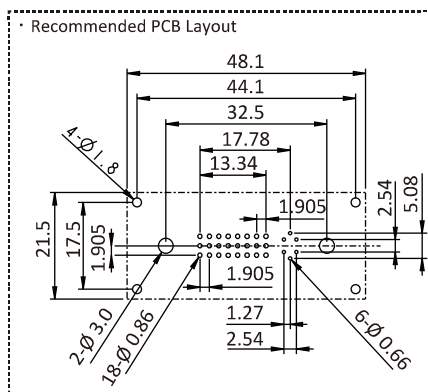
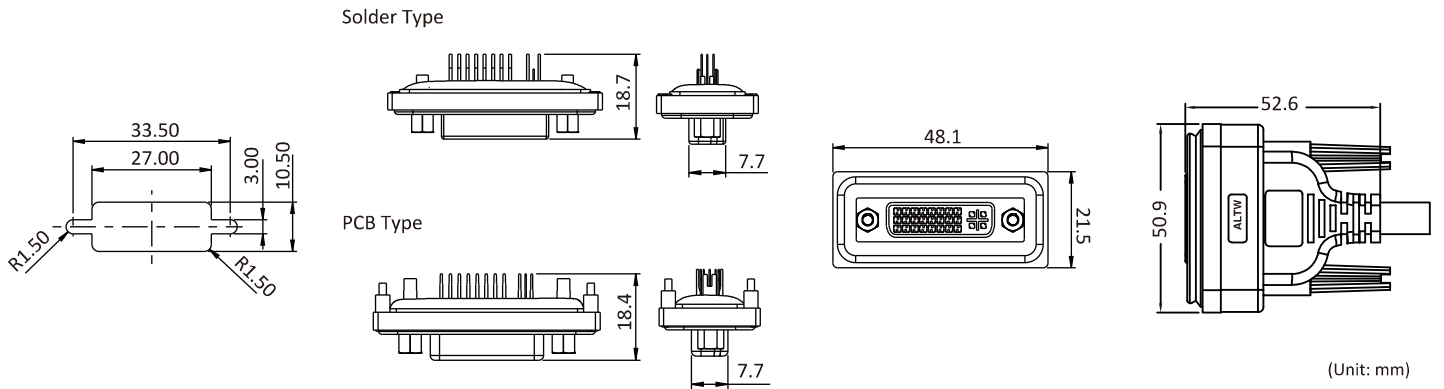
# Product Range Overview

Sub-Series Name	DDD	DDS	DID	DIS
Identifications	DVI-D Dual link (Digital)	DVI-D Single link (Digital)	DVI-I Dual Link (Digital and Analog)	DVI-I Single Link (Digital and Analog)
Metal Version	✓	✓	✓	✓
No. of Contacts	25	19	29	23
Contacts Plating	Gold Plated	Gold Plated	Gold Plated	Gold Plated
Operating Voltage (AC/DC)	40V (AC)	40V (AC)	40V (AC)	40V (AC)
Nominal Current	1.5A	1.5A	1.5A	1.5A
Operating Temperature	Receptacle: -40°C ~ 105°C Overmolded With Cable: -20°C ~ 85°C			
Fasten Style	Front	Front	Front	Front
Receptacle	Nut Torque Value: 3.5 ~ 5kgf.cm Recommend Panel Thickness: 2.0mm Max.			
Overmolded Cable	✓	✓	✓	✓
Applicable Wire Gauge	28AWG (0.08mm <sup>2</sup> )	28AWG (0.08mm <sup>2</sup> )	28AWG (0.08mm <sup>2</sup> )	28AWG (0.08mm <sup>2</sup> )
Mating Cycles (Pin Contact)	100 Cycles	100 Cycles	100 Cycles	100 Cycles
IP Rating	Receptacle: IP68 (Unmated) Overmolded With Cable: IP67 (Mated)			
Salt Spray (Connector, Mated)	8h	8h	8h	8h
Vibration Resistant	Frequency Range 10 ~ 55Hz, Amplitude 1.52mm			
ROHS 2.0 Compliant	✓	✓	✓	✓
REACH Compliant	✓	✓	✓	✓
Accessories	✓	✓	✓	✓

## Contact Configuration

DVI-D Dual Link (DDD)	DVI-D Single Link (DDS)	DVI-I Dual Link (DID)	DVI-I Single Link (DIS)
25 Pin	19 Pin	29 Pin	23 Pin
			

## Panel Cut Out



Code	No. of Contacts	DVI Connector	
		Receptacle IP68 (Unmated)	Overmolded With Cable IP67 (Mated)
DVI-D Dual Link (DDD)	25	DDD-25PFFS-SL8001	DDD-25AMMM-SL7A <sup>10</sup> Overmolded With Cable (Straight)
		DDD-25PFFP-SL8001*	DDD25ML-DDDML-SA <sup>10</sup> * Overmolded With Cable Double Ended (Straight)
DVI-D Single Link (DDS)	19	DDS-19PFFS-SL8001	DDS-19AMMM-SL7A <sup>10</sup> Overmolded With Cable (Straight)
		DDS-19PFFP-SL8001*	DDS19ML-DDSML-SA <sup>10</sup> * Overmolded With Cable Double Ended (Straight)
DVI-I Dual Link (DID)	29	DID-29PFFS-SL8001	DID-29AMMM-SL7A <sup>10</sup> Overmolded With Cable (Straight)
		DID-29PFFP-SL8001	DID29ML-DIDML-SA <sup>10</sup> * Overmolded With Cable Double Ended (Straight)
DVI-I Single Link (DIS)	23	DIS-23PFFS-SL8001	DIS-23AMMM-SL7A <sup>10</sup> Overmolded With Cable (Straight)
		DIS-23PFFP-SL8001	DIS23ML-DISML-SA <sup>10</sup> * Overmolded With Cable Double Ended (Straight)

<sup>10</sup> Cable Length (single end) (01) ~ (05) M

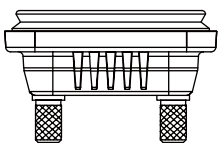
<sup>10</sup> Cable Length (Double ended) (A05) 0.5M, (001) 1M ~ (005) 5M

\* Upon Request (S) Solder Type

(P) PCB Type

## Accessories

### Waterproof Cap



- Mating Pair: Receptacle
- Mating Style: Screw Thread
- Mating Pair (Gender): Male & Female
- IP Rating: IP67 (Mated)
- Part Number: CAP-WDVCSPA1