

OLED DISPLAY SPECIFICATION



RAYSTAR

RAYSTAR Optronics, Inc.
曜凌光電股份有限公司



曜凌光電股份有限公司
Raystar Optronics, Inc.

T: +886-4-2565-0761 | F: +886-4-2565-0760

salescontact@raystar-optronics.com | www.raystar-optronics.com

REA012832E

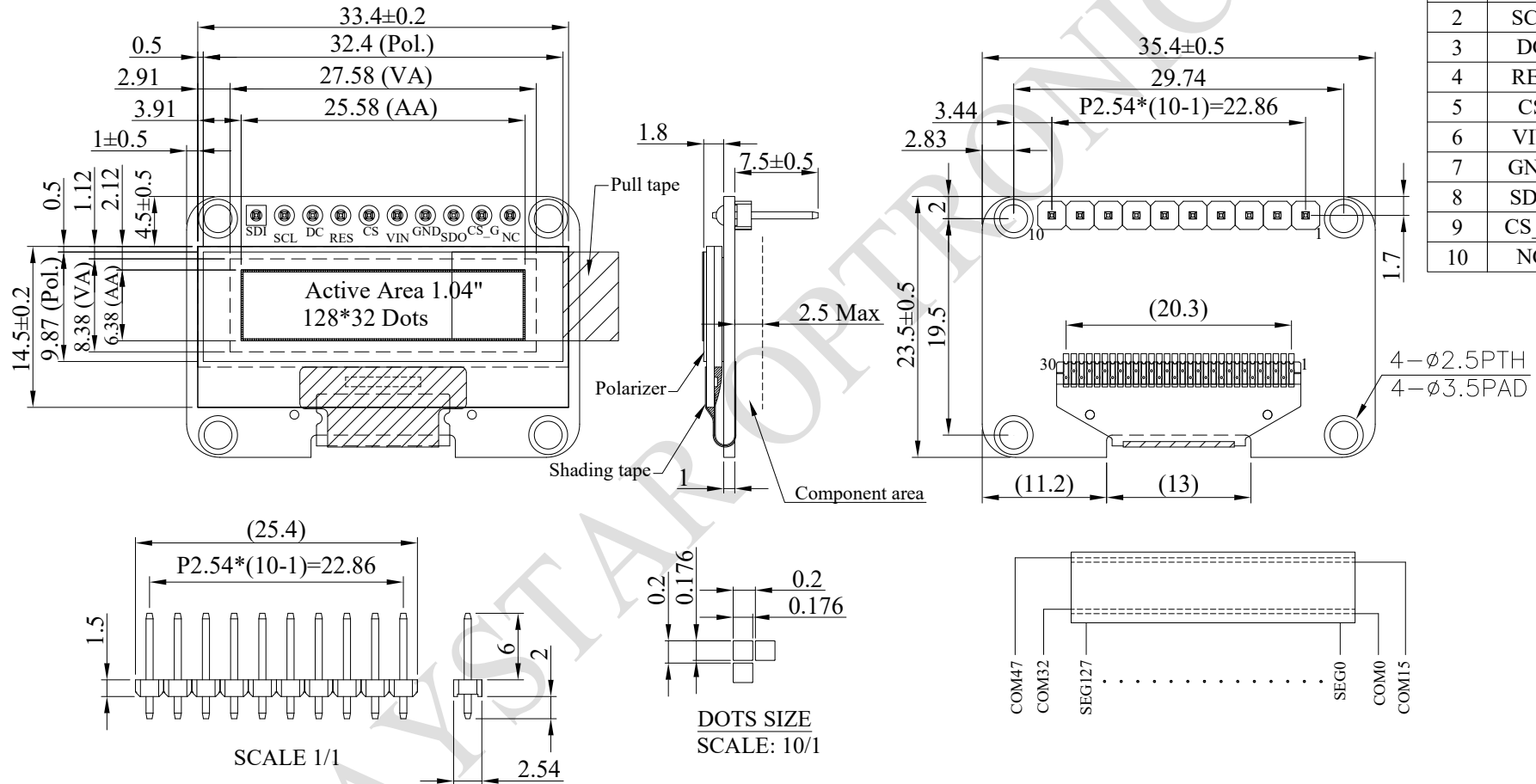
General Specification

- Module dimension: 35.4 × 23.5 × 1.8 mm
- Active area: 25.58 × 6.38 mm
- Dot Matrix: 128 × 32
- Dot size: 0.176 × 0.176 mm
- Dot pitch: 0.200 × 0.200 mm
- Display Mode : Passive Matrix
- Duty: 1/32 Duty
- Display Color: Monochrome
- IC: SSD1306
- Font IC: GT21L16T1W
- Interface: SPI
- Size: 1.04 inch

Interface Pin Function

No.	Symbol	Function
1	SDI	Serial data input This pin connects font IC of SDI and OLED drive IC of SDI.
2	SCL	Serial clock input This pin connects font IC of SCL and OLED drive IC of SCL.
3	DC	This is Data/Command control pin.
4	RES	This pin is reset signal input. When the pin is pulled LOW, initialization of the chip is executed.
5	CS	This pin is the chip select input. (active LOW).
6	VIN	Input voltage for 2.8 ~ 5.2V power supply.
7	GND	This is a ground pin.
8	SDO	Serial Data Output for font IC. Data is shifted out on the falling edge of the serial clock.
9	CS_G	Chip Select input for font IC. This pin is the chip select input. (active LOW).
10	NC	Not connection

Contour Drawing



PIN	SYMBOL
1	SDI
2	SCL
3	DC
4	RES
5	CS
6	VIN
7	GND
8	SDO
9	CS_G
10	NC

The non-specified tolerance of dimension is ±0.3mm.

Absolute Maximum Ratings

Parameter	Symbol	Min	Max	Unit
Supply Voltage for input	VIN	2	7	V
Operating Temperature	TOP	-40	+80	°C
Storage Temperature	TSTG	-40	+85	°C

Electrical Characteristics

DC Electrical Characteristics

Item	Symbol	Condition	Min	Typ	Max	Unit
Supply Voltage for Input	VIN	—	2.8	3.0	5.2	V
Input High Volt.	VIH	—	$0.8 \times V_{IN}$	—	VIN	V
Input Low Volt.	VIL	—	0	—	$0.2 \times V_{IN}$	V
Output High Volt.	VOH	—	$0.9 \times V_{IN}$	—	VIN	V
Output Low Volt.	VOL	—	0	—	$0.1 \times V_{IN}$	V
50% Check Board operating Current	IIN	VIN=3V	—	13.0	26.0	mA