

OLED DISPLAY SPECIFICATION



RAYSTAR

RAYSTAR Optronics, Inc.
曜凌光電股份有限公司



曜凌光電股份有限公司
Raystar Optronics, Inc.

T: +886-4-2565-0761 | F: +886-4-2565-0760

salescontact@raystar-optronics.com | www.raystar-optronics.com

REA006432A

General Specification

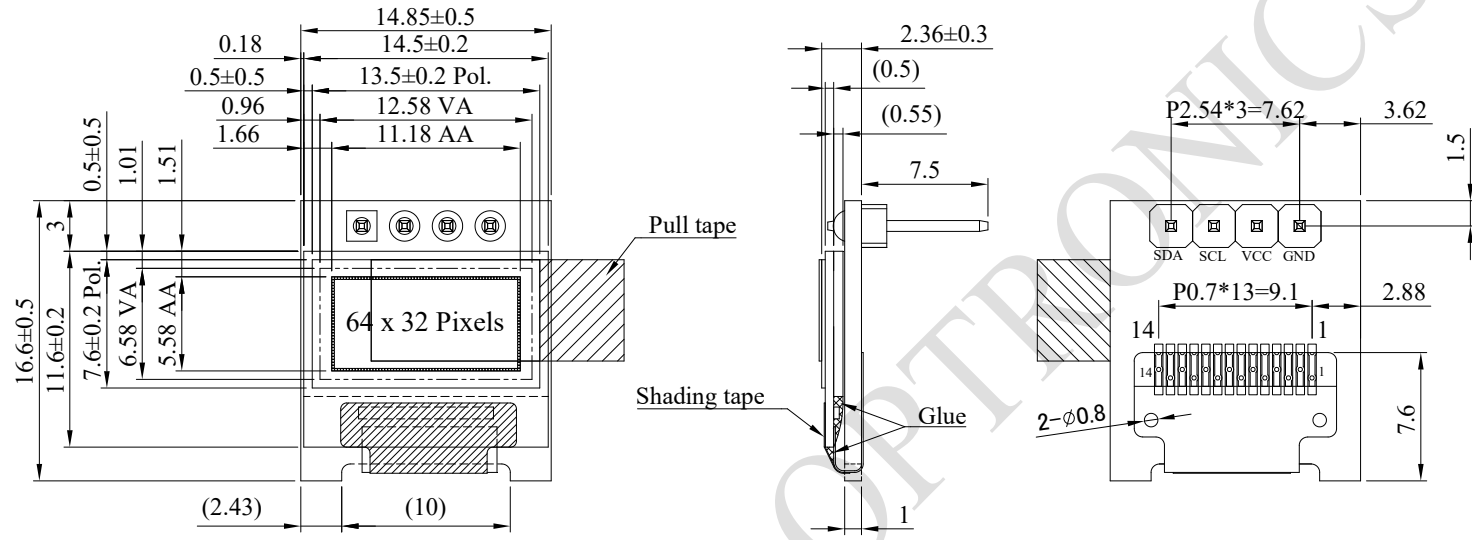
- Module dimension: 14.85 × 16.6 × 2.36 mm
- Active area: 11.18 × 5.58 mm
- Dot Matrix: 64 × 32
- Pixel Size: 0.153 x 0.153 mm
- Pixel Pitch: 0.175 x 0.175 mm
- Duty: 1/32 Duty
- Display Mode: Passive Matrix
- Display Color: Monochrome
- Interface: I2C
- IC: SSD1306
- SIZE: 0.49 inch

Interface Pin Function

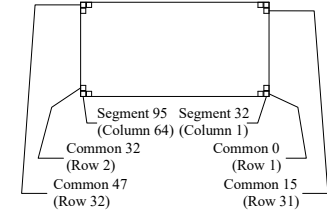
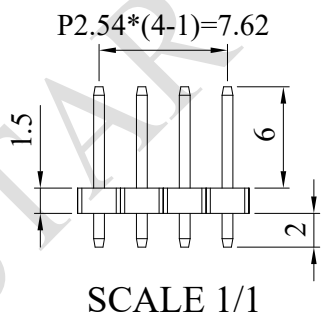
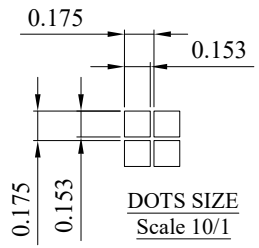
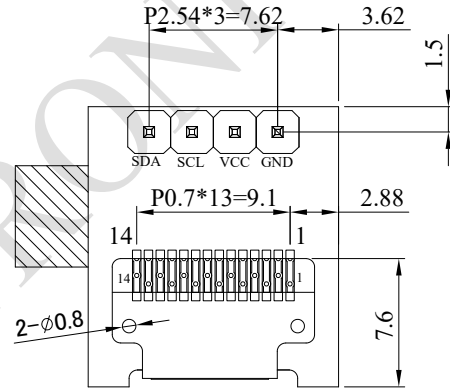
No.	Symbol	Function
1	GND	Ground
2	VCC	Power supply input.
3	SCL	The serial clock input
4	SDA	The serial data input/output

RAYSTAR OPTRONICS

Contour Drawing & Block Diagram



PIN	SYMBOL
1	GND
2	VCC
3	SCL
4	SDA



The non-specified tolerance of dimension is ±0.3 mm .

Absolute Maximum Ratings

Parameter	Symbol	Min	Max	Unit
Supply Voltage for Logic	VCC	0	4.0	V
Operating Temperature	TOP	-40	+80	°C
Storage Temperature	TSTG	-40	+85	°C

Electrical Characteristics

DC Electrical Characteristics

Item	Symbol	Condition	Min	Typ	Max	Unit
Supply Voltage for Logic	VCC	—	2.8	3.0	3.2	V
Input High Volt.	VIH	—	0.8×VCC	—	VCC	V
Input Low Volt.	VIL	—	0	—	0.2×VCC	V
Output High Volt.	VOH	—	0.9×VCC	—	VCC	V
Output Low Volt.	VOL	—	0	—	0.1×VCC	V
50% check Board operating Current	ICC	VCC=3V	—	13.0	26.0	mA