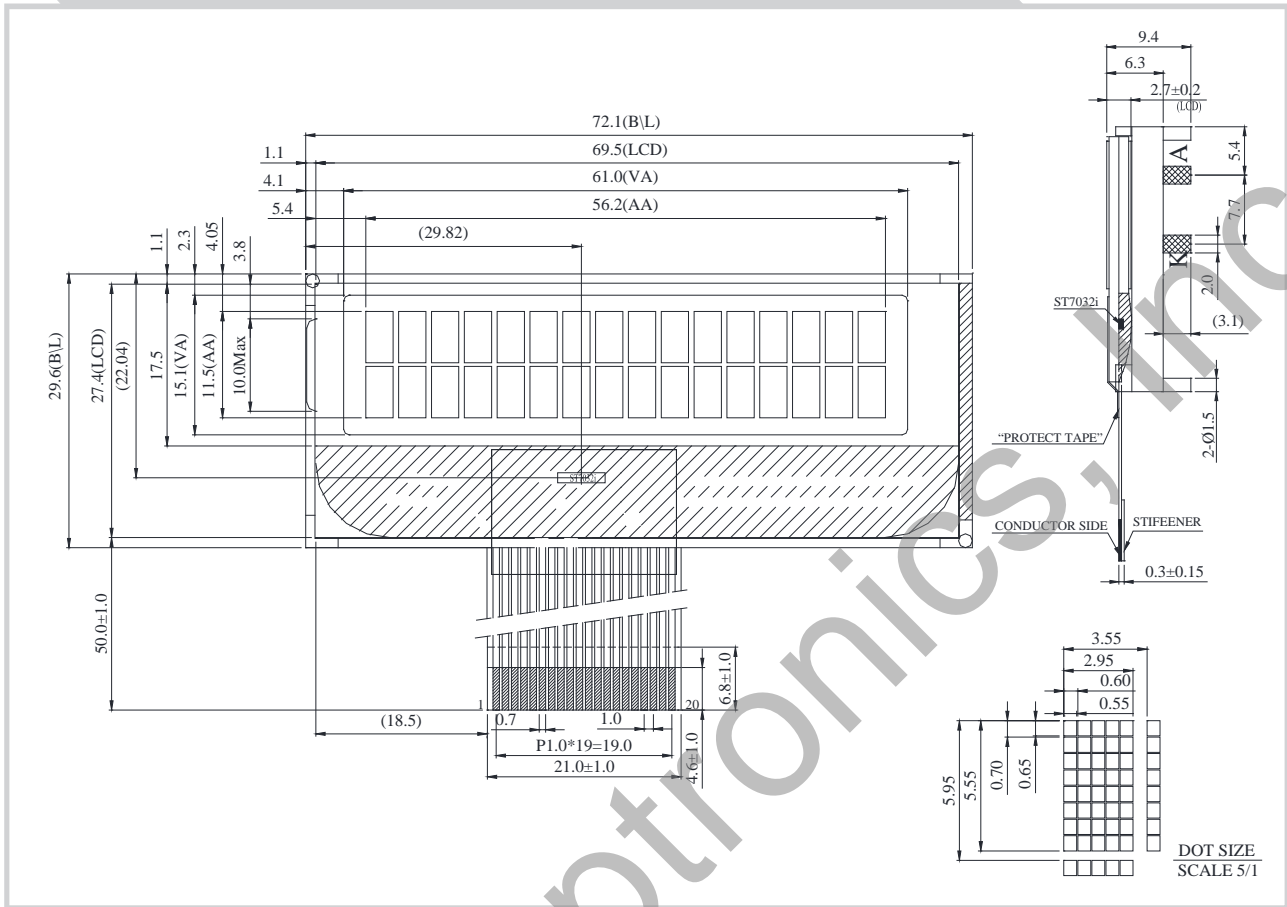


RX1602A2 Character 16x2



Feature

1. 5x8 dots includes cursor
2. Built-in controller ST7032 or Equivalent
3. 1/16 duty, 1/5 bias
4. 5V power supply
5. Interface: 6800/SPI/I2C

Pin No.	Symbol	Description
1	RS	Data/ Instruction select signal
2	R/W	Read/Write select signal
3	E	Enable signal
4	DB0	Data bus line
5	DB1	Data bus line
6	DB2	Data bus line
7	DB3	Data bus line
8	DB4	Data bus line
9	DB5	Data bus line
10	DB6/SCL	Data bus line/Serial clock input
11	DB7/SDA	Data bus line/Serial input data
12	V _{SS}	Ground
13	V _{DD}	Power supply for logic
14	V _{out}	Positive Voltage output
15	PSB	Selects the interface type:
16	PSI2B	Serial or Parallel.
17	CAP1P	DC/DC voltage converter.
18	CAP1N	DC/DC voltage converter.
19	NC	No connection
20	NC	No connection

Mechanical Data

Item	Standard Value	Unit
Module Dimension	72.1 x 29.6	mm
Viewing Area	61.0 x 15.1	mm
Dot Pitch	0.60 x 0.70	mm
Dot Size	0.55 x 0.65	mm

Electrical Characteristics

Item	Symbol	Standard Value	Unit
		typ.	
Input Voltage	VDD	3/5	V
Recommended LCD Driving Voltage for Normal Temp. Version module @25°C	Vo-Vss	4.50	V