



RAYSTAR

RAYSTAR Optronics, Inc.
曜凌光電股份有限公司



曜凌光電股份有限公司
Raystar Optronics, Inc.

T: +886-4-2565-0761 | F: +886-4-2565-0760

salescontact@raystar-optronics.com | www.raystar-optronics.com

RG12232B

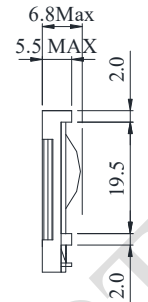
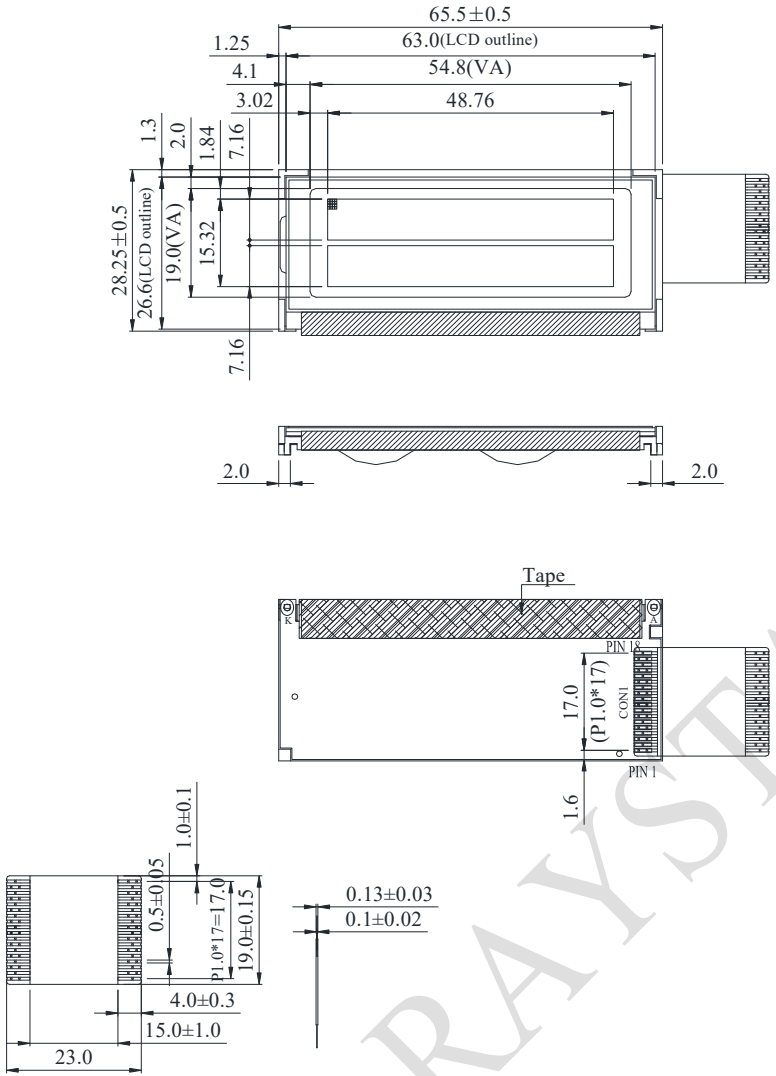
General Specification

- Module dimension: 65.5 x 28.25 x 6.8 (max.) mm
- View area: 54.8 x 19.0mm
- Active area: 48.76 x 15.32 mm
- Number of dots: 122 x 32
- Dot size: 0.36 x 0.41 mm
- Dot pitch: 0.40 x 0.45 mm
- Duty: 1/32
- Backlight Type: LED
- IC: SBN1661G

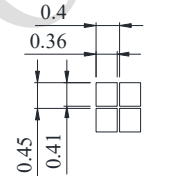
Interface Pin Function

Pin No.	Symbol	Level	Description
1	V _{DD}	5.0V	Supply voltage for logic
2	V _{SS}	0V	Ground
3	V _o	(Variable)	Operating voltage for LCD
4	RES	H/L	Reset the LCD display , active “ L “
5	E1	H/L	Chip select signal for IC1 ,active “ H “
6	E2	H/L	Chip select signal for IC2 , active “ H “
7	R/W	H/L	H : Read ; L : Write
8	A0	H/L	H : Data L : Instruction
9	DB0	H/L	Data bus line
10	DB1	H/L	Data bus line
11	DB2	H/L	Data bus line
12	DB3	H/L	Data bus line
13	DB4	H/L	Data bus line
14	DB5	H/L	Data bus line
15	DB6	H/L	Data bus line
16	DB7	H/L	Data bus line
17	A	—	Power supply for B/L (+)
18	K	—	Power supply for B/L (-)

Contour Drawing



LED B/L or
NO B/L (WITH HOUSING)



DOT SIZE
SCALE 10/1

PIN NO.	SYMBOL
1	Vdd
2	Vss
3	Vo
4	RES
5	E1
6	E2
7	R/W
8	A0
9	DB0
10	DB1
11	DB2
12	DB3
13	DB4
14	DB5
15	DB6
16	DB7
17	A
18	K

The non-specified tolerance of dimension is ± 0.3 mm .

Absolute Maximum Ratings

Item	Symbol	Min	Typ	Max	Unit
Operating Temperature	T _{OP}	-20	—	+70	°C
Storage Temperature	T _{ST}	-30	—	+80	°C
Input Voltage	V _I	-0.3	—	V _{DD} +0.3	V
Supply Voltage For Logic	V _{DD} -V _{SS}	-0.3	—	+6.0	V
LCD bias voltage	V _{LCD}	3.5	—	13	V

Electrical Characteristics

Item	Symbol	Condition	Min	Typ	Max	Unit
Supply Voltage For Logic	V _{DD} -V _{SS}	—	4.5	5.0	5.5	V
Supply Voltage For LCD	V _{DD} -V ₀	T _a =-20°C	—	—	5.2	V
		T _a =25°C	4.6	4.7	4.8	V
		T _a =+70°C	4.2	—	—	V
Input High Volt.	V _{IH}	V _{DD} =5.0	3.0	5.0	V _{DD} +0.5	V
Input Low Volt.	V _{IL}	—	0	0.7	1.1	V
Output High Volt.	V _{OH}	—	V _{DD} -0.3	—	V _{DD}	V
Output Low Volt.	V _{OL}	—	0	—	0.3	V
Supply Current	I _{DD}	V _{DD} =5.0V	—	1.0	—	mA