

Part Number: **YMD-1206A**

Part Specification: DC5V,  $\Phi 12.0 \times 9.5$ ,  $2.3 \pm 0.3$ kHz, L: 7.6mm

电磁式蜂鸣器规格示样书

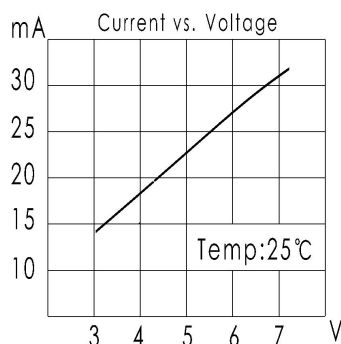
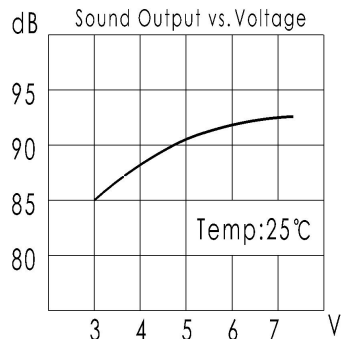
Magnetic Buzzer specification sheet

**QINLON**

1. ■产品照片 Product photo:

(attached)

4. ■产品特性 Characteristics



2. ■型号及含义

Explanation of model number:

YMD-1206A

YMD: 灌封胶式电磁有源蜂鸣器

12: 蜂鸣器外径(圆型)

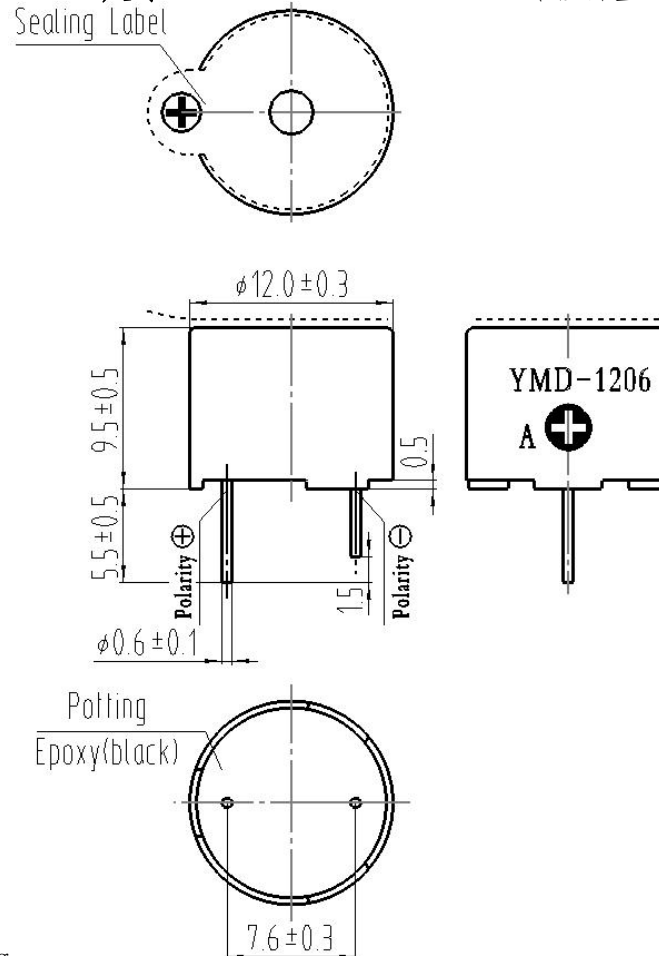
06: 代表额定电压为5VDC

A: 外形结构为一体式

3. ■规格 Specifications

Item [项目]	Specifications [规格]
Rated Voltage 额定电压	5VDC
Operating Voltage 工作电压	3~7VDC
Current Consumption 电流损耗	Max. 30mA [At 5VDC]
Sound Output 输出声压级	Min. 85dB [At 5VDC, 10cm]
Basic Frequency 发声频率	$2.3 \pm 0.3$ kHz
Operating Temperature 工作温度	-40~+85°C
Storage Temperature 储存温度	-40~+85°C
Weight 重量	1.75g

5. ■尺寸 Dimensions: Unit: mm 未注公差:  $\pm 0.5$



6. ■包装 packaging

- ①. Each foam box contains 100 pcs. [每一泡沫盒装 100 只产品]
- ②. 1000pcs/one bundle. [每一捆包 1000 只产品]
- ③. Each outer packing box contains 5000 pcs. [每一外包装箱装 5000 只产品]

Packing size: 505x420x280mm

担当: BUZZER

审核: *[Signature]*

日期: 2024. 05. 08