

Part Number: PD-3015W

Part Specification: DC12V, $\Phi 30.0 \times 15.3$, 3.2 ± 0.5 kHz, W: 140mm

压电式蜂鸣器规格示样书

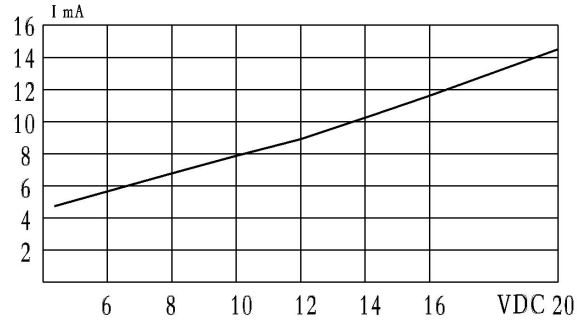
Piezoelectric buzzer specification

QINLON

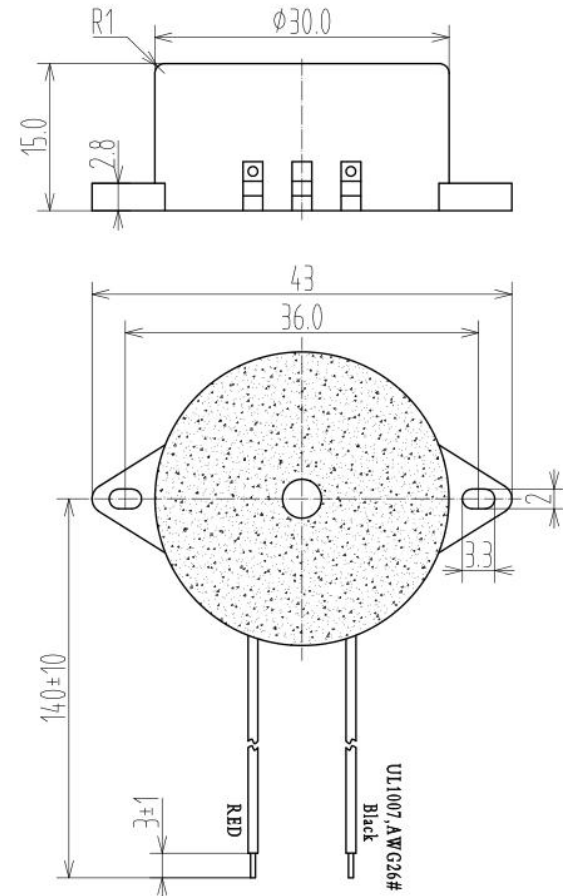
1. 产品照片 Product photo:



4. 产品特性 Characteristics



5. 尺寸 Dimensions: Unit: mm 未注公差: ± 0.5



2. 型号及含义

Explanation of model number:

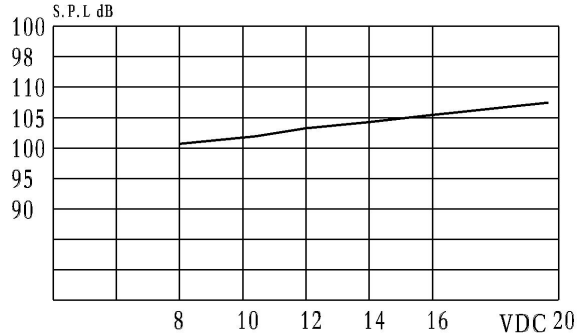
PD-3015W

PD: 压电有源蜂鸣器

30: 蜂鸣器外径30.0mm

15: 壳体高度: 15.0mm

W: 有耳引线式



3. 规格 Specifications

Item [项目]	Specifications [规格]
Rated Voltage 额定电压	12VDC
Operating Voltage 工作电压	3~20VDC
Sound Pressure Level 输出声压	Min 95dB At 12VDC/30cm
Rated current 消耗电流	Max. 15mA At 12VDC
Resonant Frequency 额定频率	3.2 ± 0.5 kHz
Operating Temperature 工作温度	-40~+85°C
Storage Temperature 储存温度	-40~+85°C
Weight 重量	8.5g

6. 包装 packaging

- ①. Each unit box contains 25pcs. [每个单元盒包装 25 只产品]
- ②. Each box contains 125 pcs. [每一内盒装 125 只产品]
- ③. Each outer packing box contains 1000 pcs. [每一外包装箱装 1000 只产品]

Packing size: 480x440x215mm

担当: BUZZER

审核: *[Signature]*

日期: 2024.05.08

92 128 3015