

**Part Number: PD-3015P-17.5(P8)**

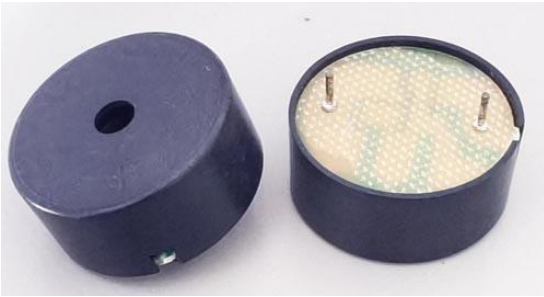
Part Specification: DC12V,  $\Phi 30.5 \times 14.7$ ,  $3.3 \pm 0.5 \text{kHz}$ , L: 17.5mm

压电式蜂鸣器规格示样书

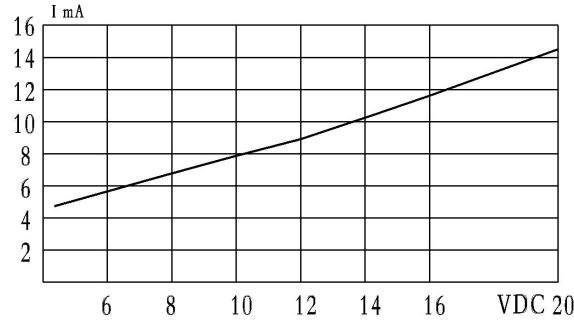
Piezoelectric buzzer specification

**QINLON**

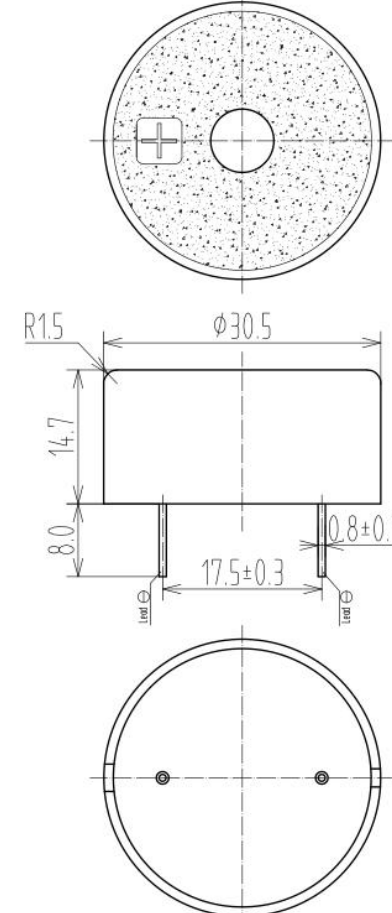
1. 产品照片 Product photo:



4. 产品特性 Characteristics



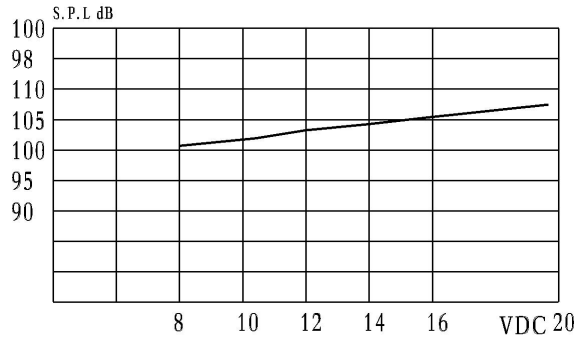
5. 尺寸 Dimensions: Unit: mm 未注公差:  $\pm 0.5$



2. 型号及含义

Explanation of model number:

- PD-3015P-17.5(P8)
- PD: 压电有源蜂鸣器
- 30: 蜂鸣器外径30.5mm
- 15: 壳体高度: 14.7mm
- P: 插针式
- 17.5: PIN间距17.5mm
- P8: PIN有效针长8mm



3. 规格 Specifications

Item [项目]	Specifications [规格]
Rated Voltage 额定电压	12VDC
Operating Voltage 工作电压	3~20VDC
Sound Pressure Level 输出声压	Min 95dB At 12VDC/30cm
Rated current 消耗电流	Max. 15mA At 12VDC
Resonant Frequency 额定频率	$3.0 \pm 0.5 \text{kHz}$
Operating Temperature 工作温度	-40~+85°C
Storage Temperature 储存温度	-40~+85°C
Weight 重量	7.5g

6. 包装 packaging

- ①. Each unit box contains 25 pcs. [每个单元盒包装 25 只产品]
- ②. Each box contains 125 pcs. [每一内盒装 125 只产品]
- ③. Each outer packing box contains 500 pcs. [每一外包装箱装 500 只产品]

Packing size: 440x255x290mm

担当: BUZZER

审核:

日期: 2024. 05. 08

**92 187 3015**