

Part Number: PA-2328B

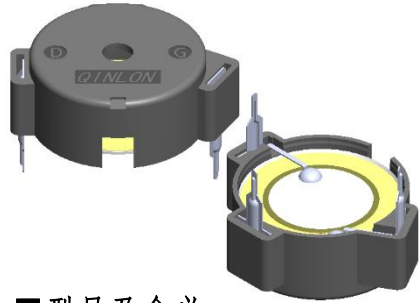
Part Specification: $\Phi 22.5 \times 10.3$, 2800Hz, P: 8.5mm

压电式蜂鸣器规格示样书

Piezoelectric buzzer specification

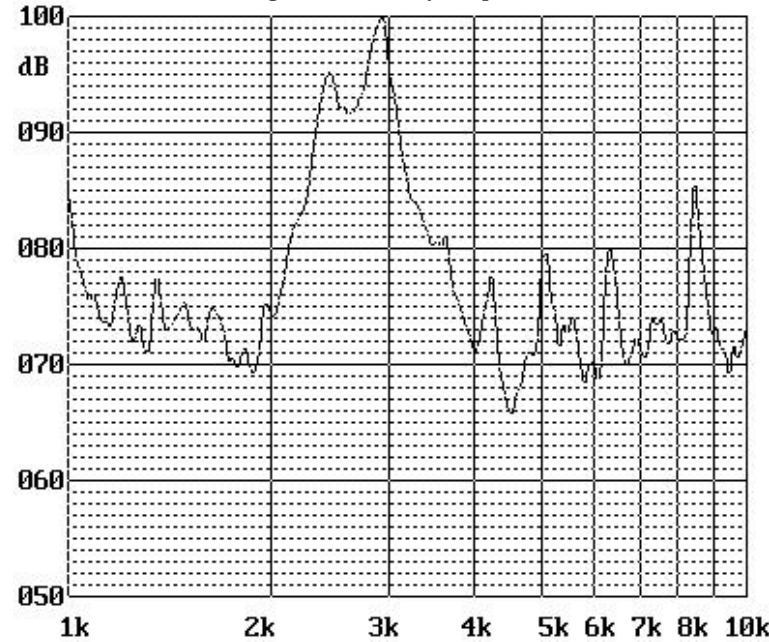
QINLON

1. 产品照片 Product photo:

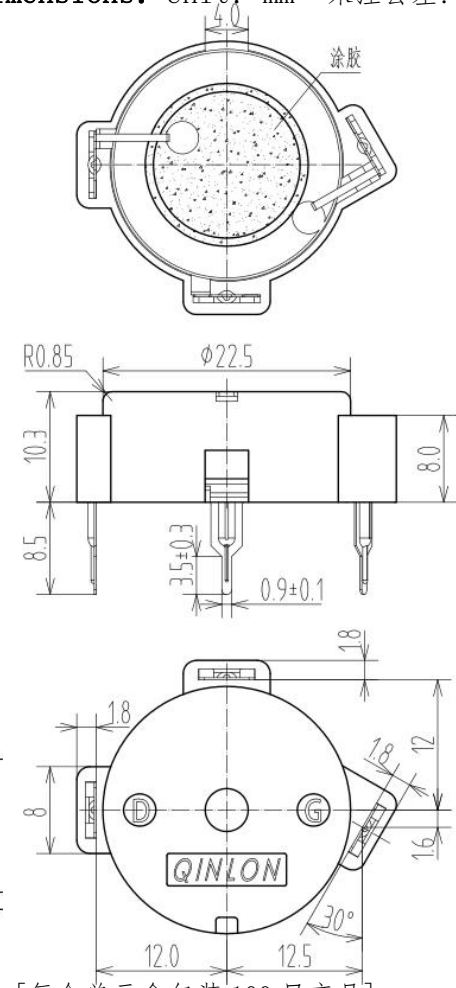


4. 频率曲线 Freq. Response

※Rated voltage, 1/2 duty square wave, 10cm.



5. 尺寸 Dimensions: Unit: mm 未注公差: ± 0.5



2. 型号及含义

Explanation of model number:

PA-2328B

PA: 压电无源蜂鸣器

23: 蜂鸣器外径22.5mm

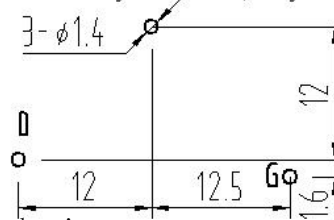
28: 频率 28: 2800Hz

B: 插针系列, 有效针长8.5mm

3. 规格 Specifications

Item [项目]	Specifications [规格]
Operating Voltage 工作电压	1~30Vp-p
Capacitance 电容量	23 ($\pm 30\%$) nF at 120Hz
Sound Pressure Level 输出声压	Min 90dB At 2800Hz/12Vp-p/方波/10cm
Rated current 消耗电流	Max. 10.0mA At 2800Hz/12Vp-p 方波
Resonant Frequency 额定频率	2.8 \pm 0.4kHz
Operating Temperature 工作温度	-40~+85 $^{\circ}$ C
Storage Temperature 储存温度	-40~+85 $^{\circ}$ C
Weight 重量	2.7g

Mounting holes and spacing:



6. 包装 packaging

①. Each unit box contains 100 pcs. [每个单元盒包装 100 只产品]

②. Each outer packing box contains 2000 pcs. [每一外包装箱装 2000 只产品]

Packing size: 470x350x350mm

担当: BUZZER

审核:

日期: 2024. 05. 08

92 118 2328