

Part Number: **PA-1340B**

[CBE1340BP-M]

Part Specification: $\Phi 12.6 \times 6.9, 4000\text{Hz}, L: 5.0\text{mm}$

压电式蜂鸣器规格示样书

Piezoelectric buzzer specification

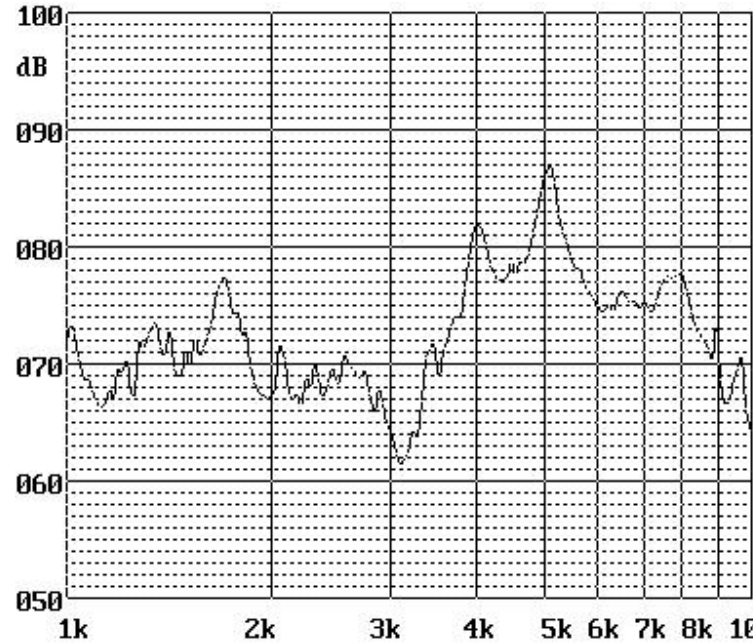
QINLON

1. 产品照片 Product photo:

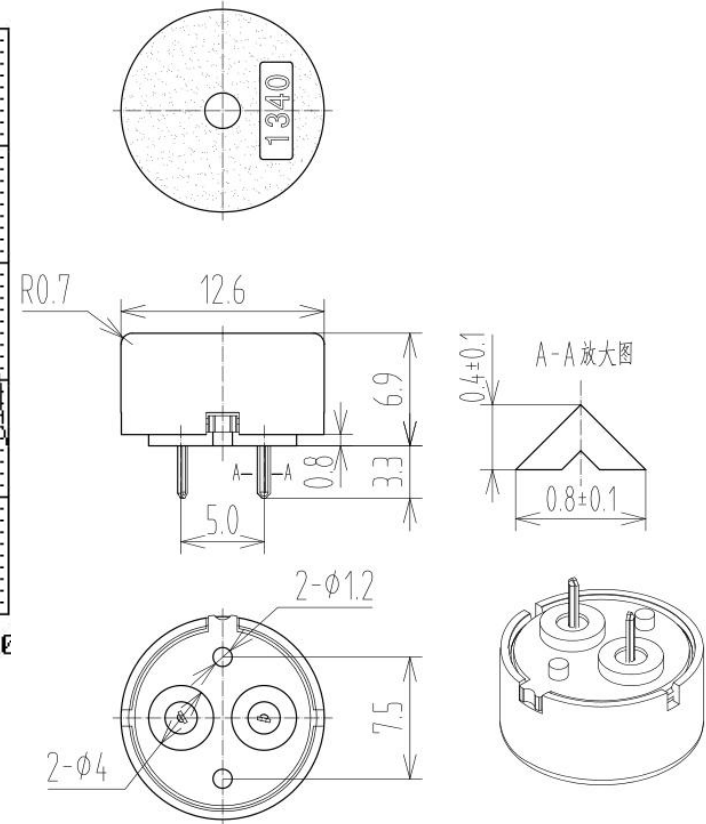


4. 频率曲线 Freq. Response

※Rated voltage, 1/2 duty square wave, 10cm.



5. 尺寸 Dimensions: Unit: mm 未注公差: ± 0.5



2. 型号及含义

Explanation of model number:

PA-1340B-M

PA: 压电无源蜂鸣器

13: 蜂鸣器外径12.6mm

40: 频率 40: 4000Hz

B: 插针

M: 灌胶的应对

3. 规格 Specifications

Item [项目]	Specifications [规格]
Operating Voltage 工作电压	1~30Vp-p
Capacitance 电容量	10 ($\pm 30\%$) nF at 120Hz
Sound Pressure Level 输出声压	Min 70dB At 4000Hz/3Vp-p/方波/10cm
Rated current 消耗电流	Max2.5mA At 4000Hz/3Vp-p 方波
Resonant Frequency 额定频率	4.0 \pm 0.4kHz
Operating Temperature 工作温度	-40~+85 $^{\circ}$ C
Storage Temperature 储存温度	-40~+85 $^{\circ}$ C
Weight 重量	0.65g

6. 包装 packaging

①. Each unit box contains 100 pcs. [每个单元盒包装 100 只产品]

②. Each box contains 500 pcs. [每一内盒装 500 只产品]

③. Each outer packing box contains 4000 pcs. [每一外包装箱装 4000 只产品]

Packing size: 480x440x215mm

担当: BUZZER

审核:

日期: 2024.05.08

92 216 1340

Part Number: **PA-1440C** [CBE14440BP-M]

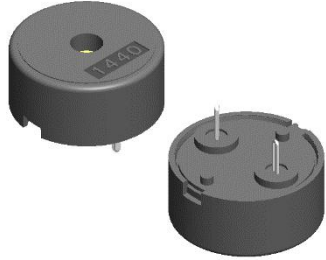
Part Specification: $\Phi 14.0 \times 6.7, 4000\text{Hz}, L: 7.6\text{mm}$

压电式蜂鸣器规格示样书

Piezoelectric buzzer specification

QINLON

1. 产品照片 Product photo:



2. 型号及含义

Explanation of model number:

PA-1440C BP-M

PA: 压电无源蜂鸣器

14: 蜂鸣器外径14.0mm

40: 频率 40: 4000Hz

BP: 插针

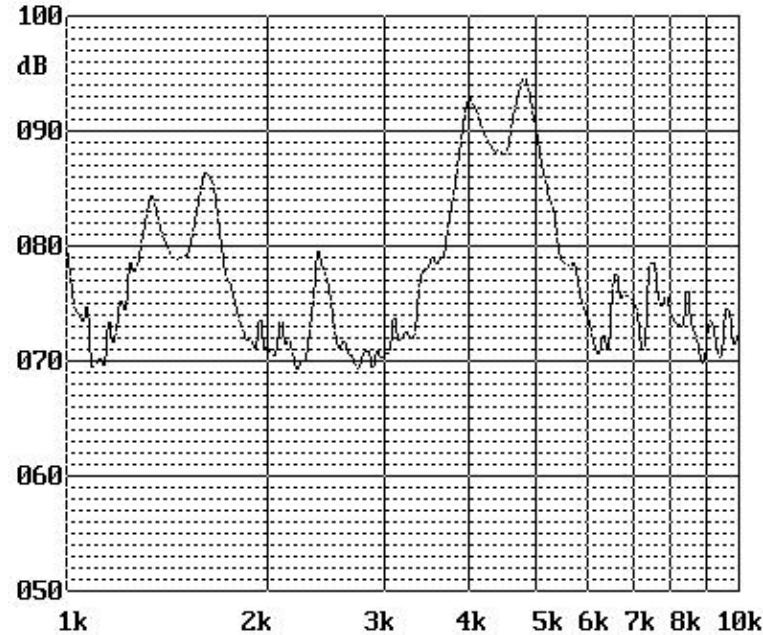
M: 灌胶的应对

3. 规格 Specifications

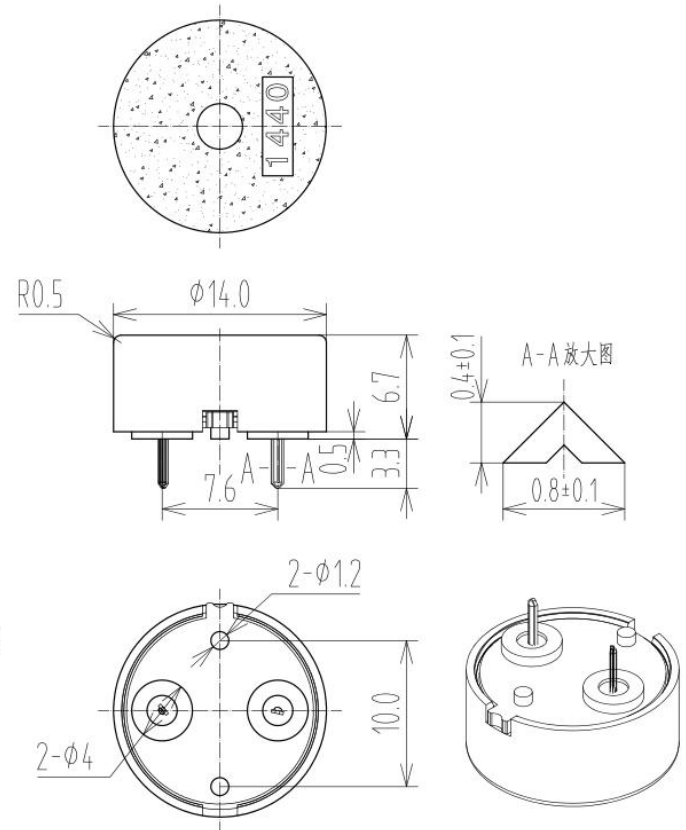
Item [项目]	Specifications [规格]
Operating Voltage 工作电压	1~30Vp-p
Capacitance 电容量	12 ($\pm 30\%$) nF at 120Hz
Sound Pressure Level 输出声压	Min 80dB At 4000Hz/5Vp-p/方波/10cm
Rated current 消耗电流	Max. 5mA At 4000Hz/5Vp-p 方波
Resonant Frequency 额定频率	4.0 \pm 0.4kHz
Operating Temperature 工作温度	-40~+85 $^{\circ}$ C
Storage Temperature 储存温度	-40~+85 $^{\circ}$ C
Weight 重量	0.7g

4. 频率曲线 Freq. Response

※Rated voltage, 1/2 duty square wave, 10cm.



5. 尺寸 Dimensions: Unit: mm 未注公差: ± 0.5



6. 包装 packaging

①. Each unit box contains 100 pcs. [每个单元盒包装 100 只产品]

②. Each box contains 500 pcs. [每一内盒装 500 只产品]

③. Each outer packing box contains 4000 pcs. [每一外包装箱装 4000 只产品]

Packing size: 480x440x215mm

担当: BUZZER

审核:

日期: 2024.05.08

92 215 1440

Part Number: PA-1420B01

Part Specification: $\Phi 14.0 \times 11.0, 2000\text{Hz}, L: 5.0\text{mm}$

压电式蜂鸣器规格示样书

Piezoelectric buzzer specification

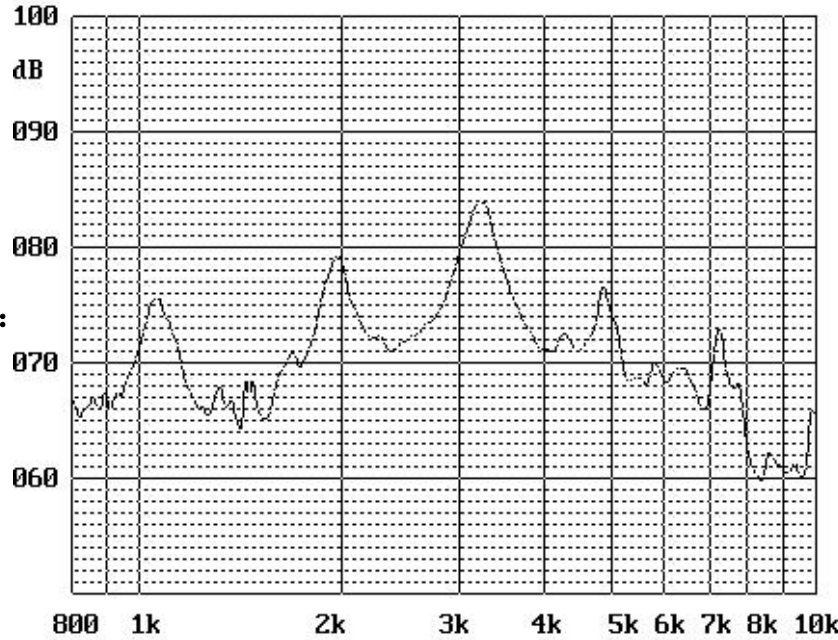
QINLON

1. 产品照片 Product photo:

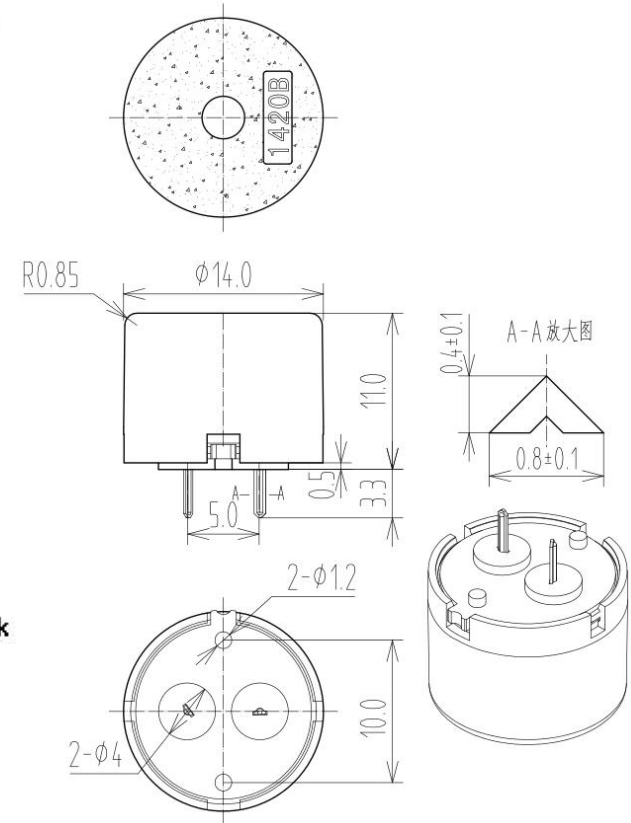


4. 频率曲线 Freq. Response

※Rated voltage, 1/2 duty square wave, 10cm.



5. 尺寸 Dimensions: Unit: mm 未注公差: ± 0.5



2. 型号及含义

Explanation of model number:

PA-1420B01

PA: 压电无源蜂鸣器

14: 蜂鸣器外径14.0mm

20: 频率 20: 2000Hz

B: 插针系列

01: 针距: 5.0mm

3. 规格 Specifications

Item [项目]	Specifications [规格]
Operating Voltage 工作电压	1~30Vp-p
Capacitance 电容量	15 ($\pm 30\%$) nF at 120Hz
Sound Pressure Level 输出声压	Min 73dB At 2000Hz/5Vp-p/方波/10cm
Rated current 消耗电流	Max. 5mA At 2000Hz/5Vp-p 方波
Resonant Frequency 额定频率	2.0 \pm 0.3kHz
Operating Temperature 工作温度	-40~+85 $^{\circ}$ C
Storage Temperature 储存温度	-40~+85 $^{\circ}$ C
Weight 重量	1.15g

6. 包装 packaging

①. Each unit box contains 100 pcs. [每个单元盒包装 100 只产品]

②. Each box contains 400 pcs. [每一内盒装 400 只产品]

③. Each outer packing box contains 3200 pcs. [每一外包装箱装 3200 只产品]

Packing size: 480x440x215mm

担当: BUZZER

审核:

日期: 2024.05.08

92 243 1420

Part Number: **PA-1712** [CBE1712BP-Brass]
 Part Specification: $\Phi 17.0 \times 8.3, 2000\text{Hz}, L: 10.0\text{mm}$

压电式蜂鸣器规格示样书
 Piezoelectric buzzer specification

QINLON

1. 产品照片 Product photo:



2. 型号及含义

Explanation of model number:

PA-1712

PA: 压电无源蜂鸣器

17: 蜂鸣器外径17.0mm

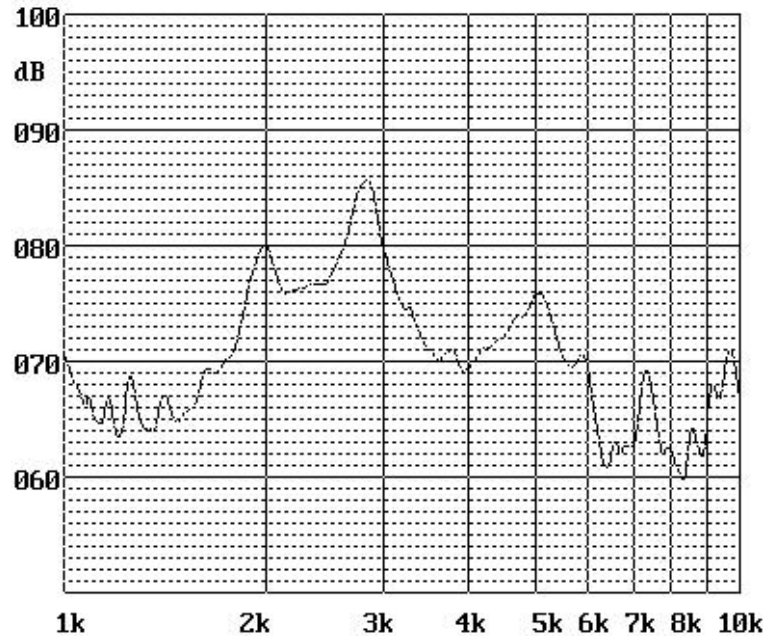
12: 频率 12:2000Hz

3. 规格 Specifications

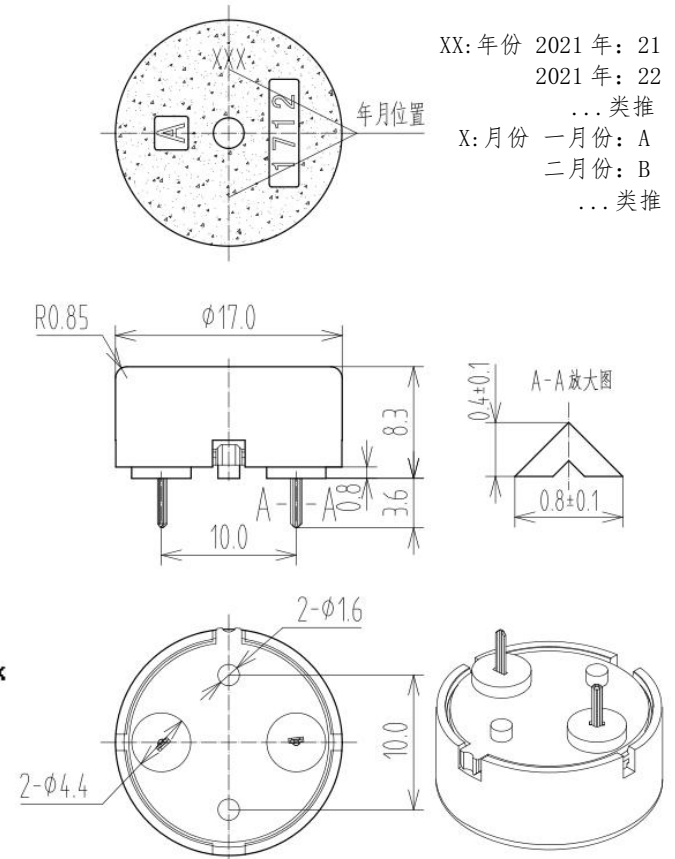
Item [项目]	Specifications [规格]
Operating Voltage 工作电压	1~30Vp-p
Capacitance 电容量	25 ($\pm 30\%$) nF at 120Hz
Sound Pressure Level 输出声压	Min 74dB At 2000Hz/3Vp-p/方波/10cm
Rated current 消耗电流	Max. 2.5mA At 2000Hz/3Vp-p 方波
Resonant Frequency 额定频率	2.0 \pm 0.3kHz
Operating Temperature 工作温度	-40~+85 $^{\circ}$ C
Storage Temperature 储存温度	-40~+85 $^{\circ}$ C
Weight 重量	1.25g

4. 频率曲线 Freq. Response

※Rated voltage, 1/2 duty square wave, 10cm.



5. 尺寸 Dimensions: Unit: mm 未注公差: ± 0.5



6. 包装 packaging

- ①. Each unit box contains 100 pcs. [每个单元盒包装 100 只产品]
 - ②. Each box contains 500 pcs. [每一内盒装 500 只产品]
 - ③. Each outer packing box contains 4000 pcs. [每一外包装箱装 4000 只产品]
- Packing size: 480x440x215mm

担当: BUZZER

审核:

日期: 2024.05.08

92 221 1712

Part Number: **PA-1720B**

Part Specification: $\Phi 17.0 \times 9.5, 2000\text{Hz}, L: 10.0\text{mm}$

压电式蜂鸣器规格示样书

Piezoelectric buzzer specification

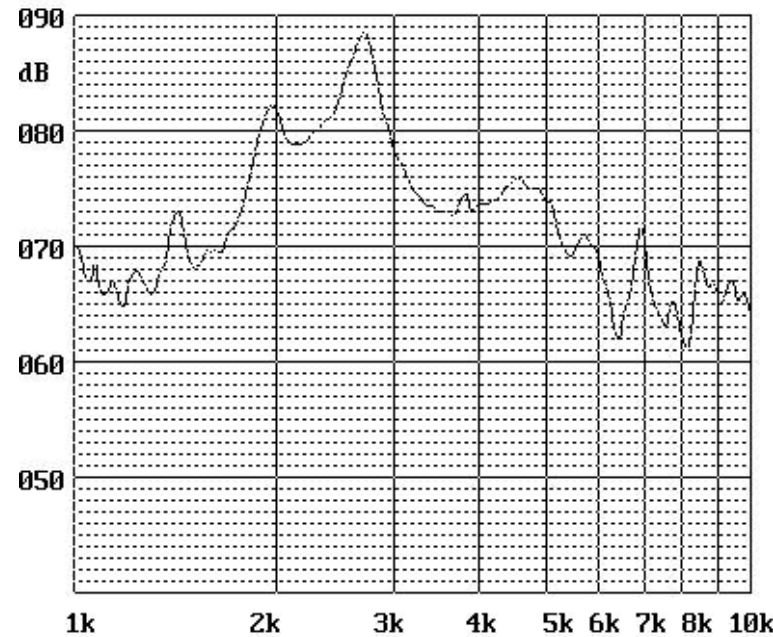
QINLON

1. 产品照片 Product photo:

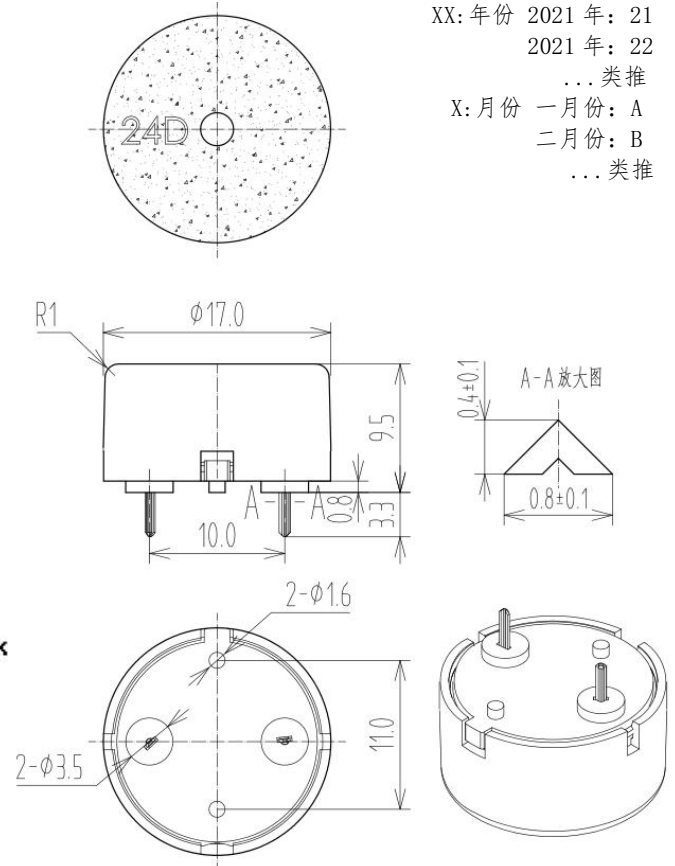


4. 频率曲线 Freq. Response

※Rated voltage, 1/2 duty square wave, 10cm.



5. 尺寸 Dimensions: Unit: mm 未注公差: ± 0.5



XX: 年份 2021 年: 21
2021 年: 22
... 类推
X: 月份 一月份: A
二月份: B
... 类推

2. 型号及含义

Explanation of model number:

PA-1720B

PA: 压电无源蜂鸣器

17: 蜂鸣器外径 17.0mm

20: 频率 20: 2000Hz

B: 插针系列

3. 规格 Specifications

Item [项目]	Specifications [规格]
Operating Voltage 工作电压	1~30Vp-p
Capacitance 电容量	25 ($\pm 30\%$) nF at 120Hz
Sound Pressure Level 输出声压	Min 74dB At 2000Hz/3Vp-p/方波/10cm
Rated current 消耗电流	Max. 2.5mA At 2000Hz/3Vp-p 方波
Resonant Frequency 额定频率	2.0 \pm 0.3kHz
Operating Temperature 工作温度	-40~+85°C
Storage Temperature 储存温度	-40~+85°C
Weight 重量	1.35g

6. 包装 packaging

①. Each unit box contains 100 pcs. [每个单元盒包装 100 只产品]

②. Each box contains 500 pcs. [每一内盒装 500 只产品]

③. Each outer packing box contains 4000 pcs. [每一外包装箱装 4000 只产品]

Packing size: 480x440x215mm

担当: BUZZER

审核:

日期: 2024.05.08

92 107 1720

Part Number: **PA-1712-M** [CBE1712BP-M]

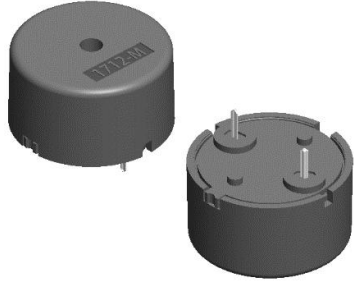
Part Specification: $\Phi 17.0 \times 9.8, 2000\text{Hz}, L: 10.0\text{mm}$

压电式蜂鸣器规格示样书

Piezoelectric buzzer specification

QINLON

1. 产品照片 Product photo:



2. 型号及含义

Explanation of model number:

PA-1712-M

PA: 压电无源蜂鸣器

17: 蜂鸣器外径17.0mm

12: 频率 12:2000Hz

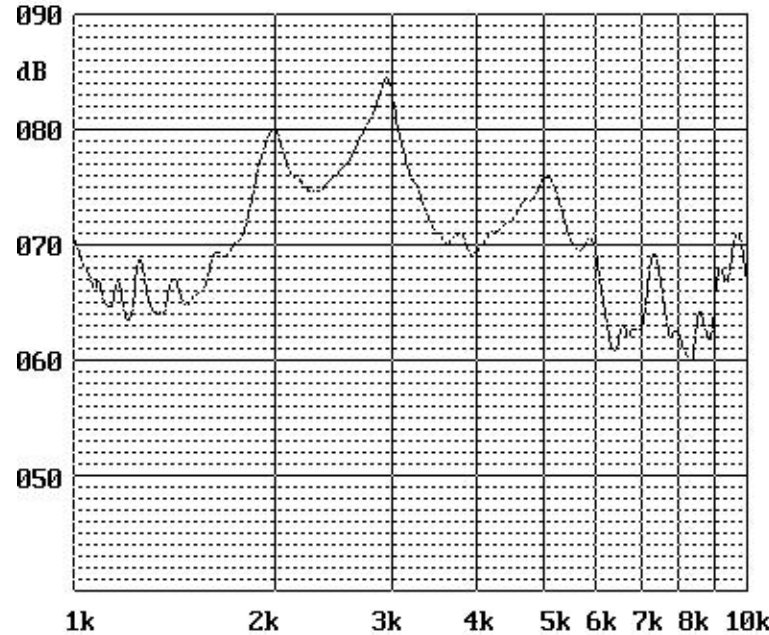
M: 灌胶的应对

3. 规格 Specifications

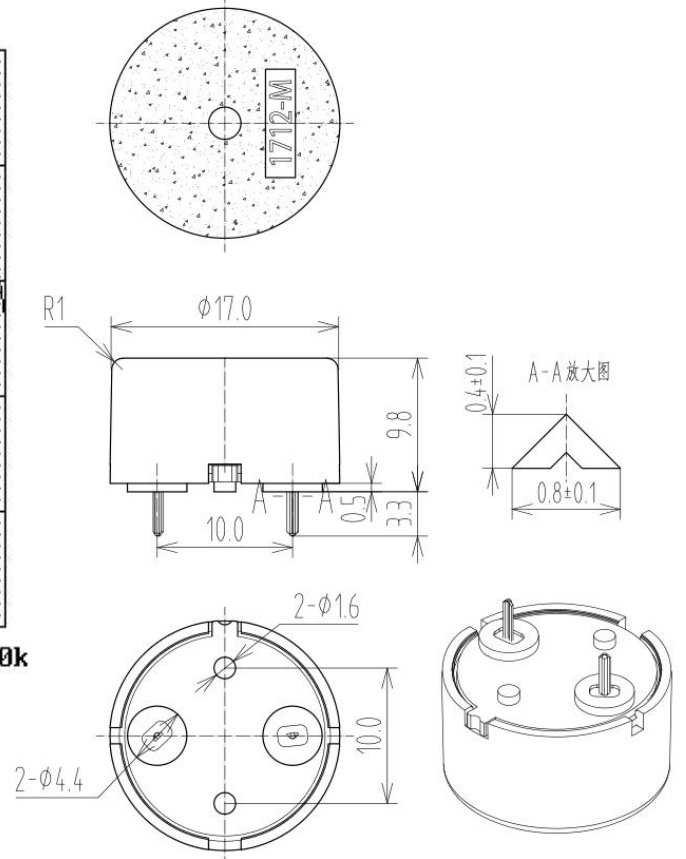
Item [项目]	Specifications [规格]
Operating Voltage 工作电压	1~30Vp-p
Capacitance 电容量	25 ($\pm 30\%$) nF at 120Hz
Sound Pressure Level 输出声压	Min 74dB At 2000Hz/3Vp-p/方波/10cm
Rated current 消耗电流	Max. 2.5mA At 2000Hz/3Vp-p 方波
Resonant Frequency 额定频率	2.0 \pm 0.3kHz
Operating Temperature 工作温度	-40~+85 $^{\circ}$ C
Storage Temperature 储存温度	-40~+85 $^{\circ}$ C
Weight 重量	1.35g

4. 频率曲线 Freq. Response

※Rated voltage, 1/2 duty square wave, 10cm.



5. 尺寸 Dimensions: Unit: mm 未注公差: ± 0.5



6. 包装 packaging

- ①. Each unit box contains 100 pcs. [每个单元盒包装 100 只产品]
- ②. Each box contains 500 pcs. [每一内盒装 500 只产品]
- ③. Each outer packing box contains 4000 pcs. [每一外包装箱装 4000 只产品]

Packing size: 480x440x215mm

担当: BUZZER

审核:

日期: 2024.05.08

92 212 1712

Part Number: **PA-1540**

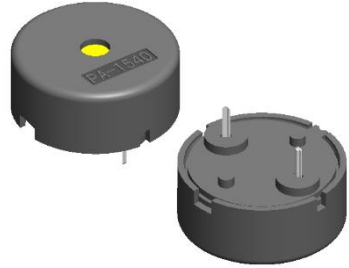
Part Specification: $\Phi 17.0 \times 8.0, 4000\text{Hz}, L: 10.0\text{mm}$

压电式蜂鸣器规格示样书

Piezoelectric buzzer specification

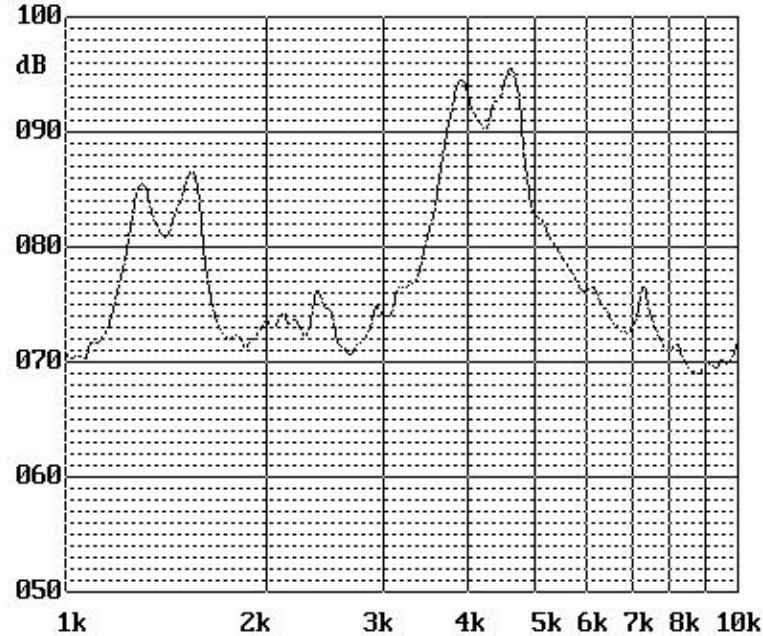
QINLON

1. 产品照片 Product photo:

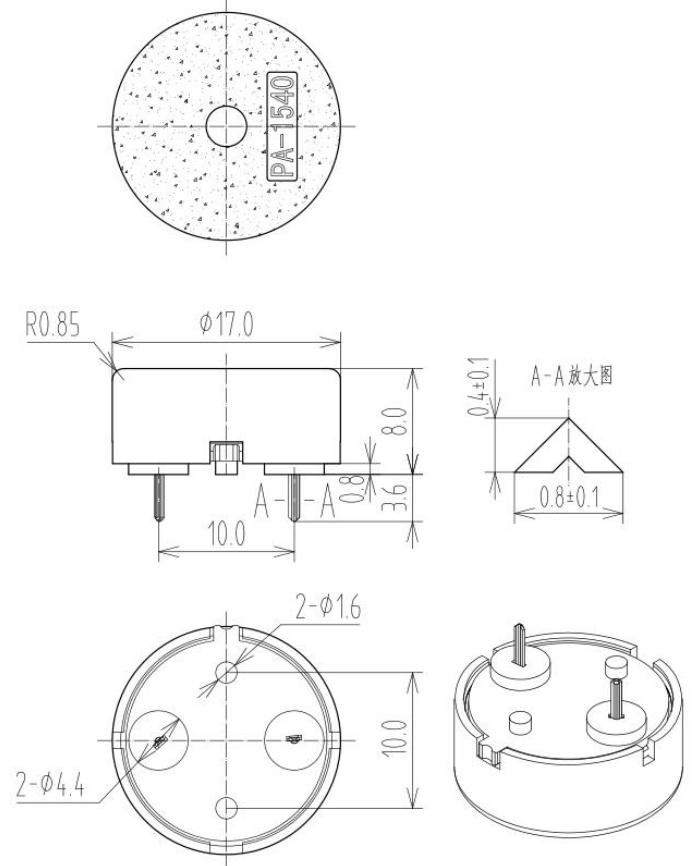


4. 频率曲线 Freq. Response

※Rated voltage, 1/2 duty square wave, 10cm.



5. 尺寸 Dimensions: Unit: mm 未注公差: ± 0.5



2. 型号及含义

Explanation of model number:

PA-1540

PA: 压电无源蜂鸣器

15: 压电片外径

40: 频率 40: 4000Hz

3. 规格 Specifications

Item [项目]	Specifications [规格]
Operating Voltage 工作电压	1~30Vp-p
Capacitance 电容量	15 ($\pm 30\%$) nF at 120Hz
Sound Pressure Level 输出声压	Min 80dB At 4000Hz/5Vp-p/方波/10cm
Rated current 消耗电流	Max. 5.0mA At 4000Hz/5Vp-p 方波
Resonant Frequency 额定频率	4.0 \pm 0.4kHz
Operating Temperature 工作温度	-40~+85 $^{\circ}$ C
Storage Temperature 储存温度	-40~+85 $^{\circ}$ C
Weight 重量	1.4g

6. 包装 packaging

①. Each unit box contains 100 pcs. [每个单元盒包装 100 只产品]

②. Each box contains 500 pcs. [每一内盒装 500 只产品]

③. Each outer packing box contains 4000 pcs. [每一外包装箱装 4000 只产品]

Packing size: 480x440x215mm

担当: BUZZER

审核:

日期: 2024. 05. 08

92 105 1540

Part Number: **CBE1740BP-1**

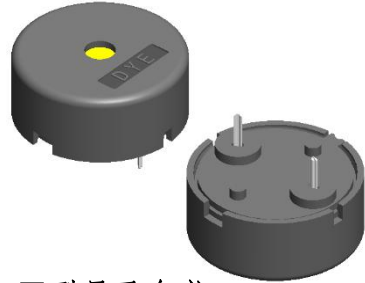
Part Specification: $\Phi 17.0 \times 8.0, 4000\text{Hz}, L: 10.0\text{mm}$

压电式蜂鸣器规格示样书

Piezoelectric buzzer specification

QINLON

1. 产品照片 Product photo:



2. 型号及含义

Explanation of model number:

CBE1740BP-1

CBE: 压电无源蜂鸣器

17: 蜂鸣器外径17.0mm

40: 频率 40:4000Hz

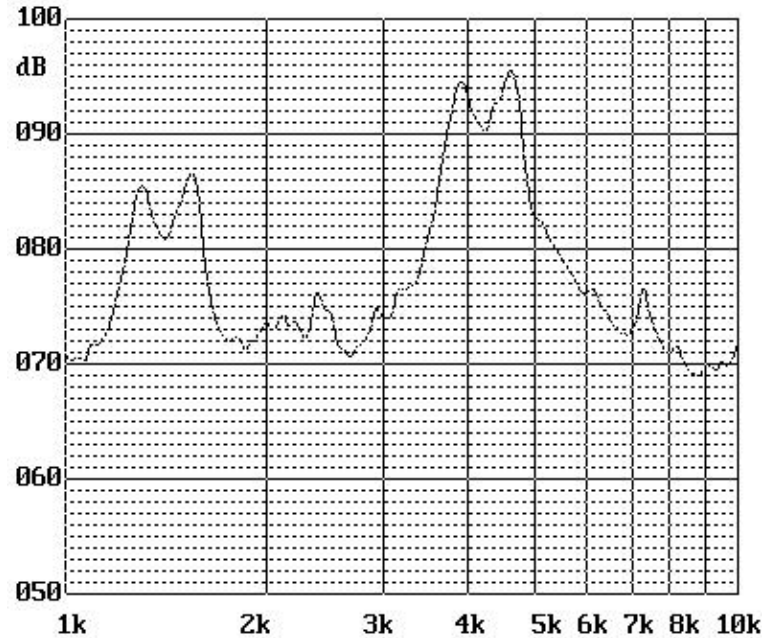
BP-1: 插针系列

3. 规格 Specifications

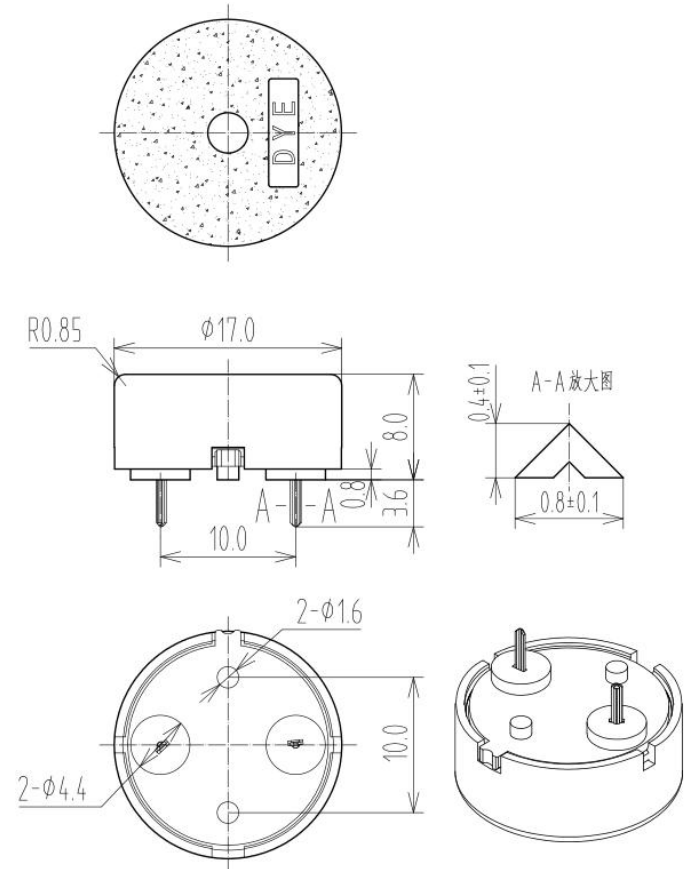
Item [项目]	Specifications [规格]
Operating Voltage 工作电压	1~30Vp-p
Capacitance 电容量	15 ($\pm 30\%$) nF at 120Hz
Sound Pressure Level 输出声压	Min 80dB At 4000Hz/5Vp-p/方波/10cm
Rated current 消耗电流	Max. 5.0mA At 4000Hz/5Vp-p 方波
Resonant Frequency 额定频率	4.0 \pm 0.4kHz
Operating Temperature 工作温度	-40~+85 $^{\circ}$ C
Storage Temperature 储存温度	-40~+85 $^{\circ}$ C
Weight 重量	1.4g

4. 频率曲线 Freq. Response

※Rated voltage, 1/2 duty square wave, 10cm.



5. 尺寸 Dimensions: Unit: mm 未注公差: ± 0.5



6. 包装 packaging

- ①. Each unit box contains 100 pcs. [每个单元盒包装 100 只产品]
- ②. Each box contains 500 pcs. [每一内盒装 500 只产品]
- ③. Each outer packing box contains 4000 pcs. [每一外包装箱装 4000 只产品]

Packing size: 480x440x215mm

担当: BUZZER

审核:

日期: 2024.05.08

92 100 1540

Part Number: **PA-2220A-BP**

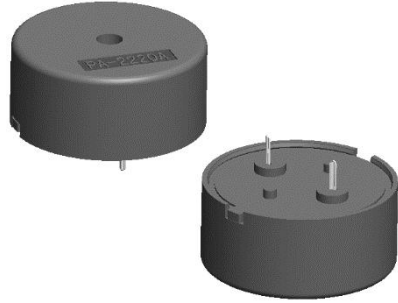
Part Specification: $\Phi 22.0 \times 10.5, 2000\text{Hz}, L: 10.0\text{mm}$

压电式蜂鸣器规格示样书

Piezoelectric buzzer specification

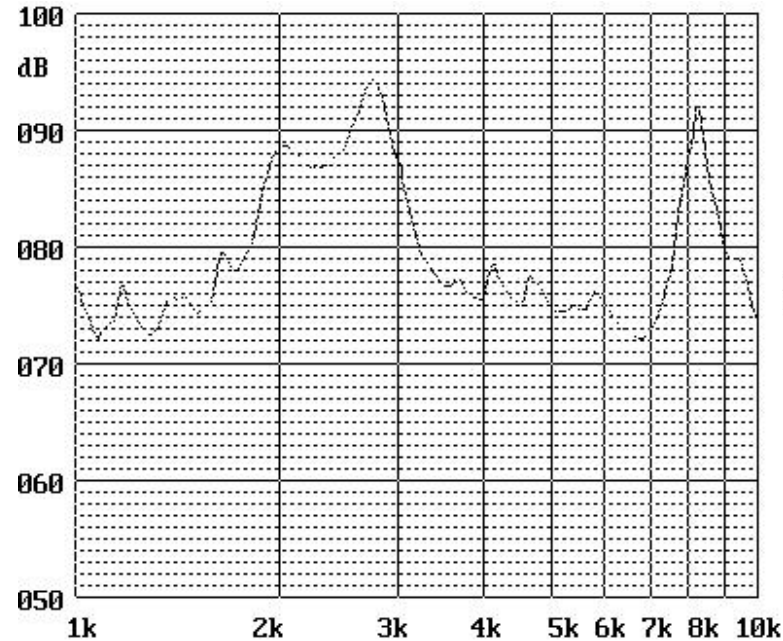
QINLON

1. 产品照片 Product photo:

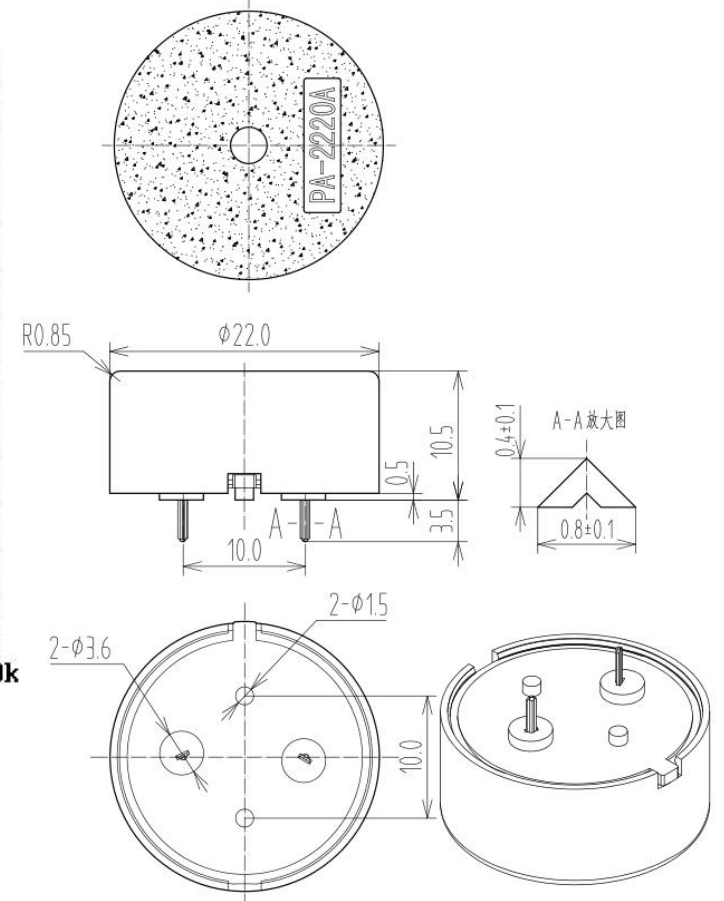


4. 频率曲线 Freq. Response

※Rated voltage, 1/2 duty square wave, 10cm.



5. 尺寸 Dimensions: Unit: mm 未注公差: ± 0.5



2. 型号及含义

Explanation of model number:

PA-2220A-BP

PA: 压电无源蜂鸣器

22: 蜂鸣器外径22.0mm

20: 频率 20:2000Hz

A-BP: 插针系列

3. 规格 Specifications

Item [项目]	Specifications [规格]
Operating Voltage 工作电压	1~30Vp-p
Capacitance 电容量	30 ($\pm 30\%$) nF at 120Hz
Sound Pressure Level 输出声压	Min 85dB At 2000Hz/12Vp-p/方波/10cm
Rated current 消耗电流	Max. 10mA At 2000Hz/12Vp-p 方波
Resonant Frequency 额定频率	2.0 \pm 0.3kHz
Operating Temperature 工作温度	-40~+85°C
Storage Temperature 储存温度	-40~+85°C
Weight 重量	2.5g

6. 包装 packaging

①. Each unit box contains 100 pcs. [每个单元盒包装 100 只产品]

②. Each box contains 1000 pcs. [每一内盒装 1000 只产品]

③. Each outer packing box contains 2000 pcs. [每一外包装箱装 2000 只产品]

Packing size: 470x350x350mm

担当: BUZZER

审核:

日期: 2024. 05. 08

92 131 2220

Part Number: PA-2228BP

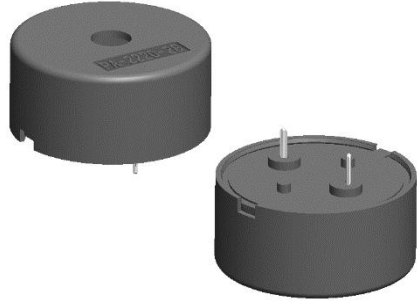
Part Specification: $\Phi 22.0 \times 10.5$, 2800Hz, L: 10.0mm

压电式蜂鸣器规格示样书

Piezoelectric buzzer specification

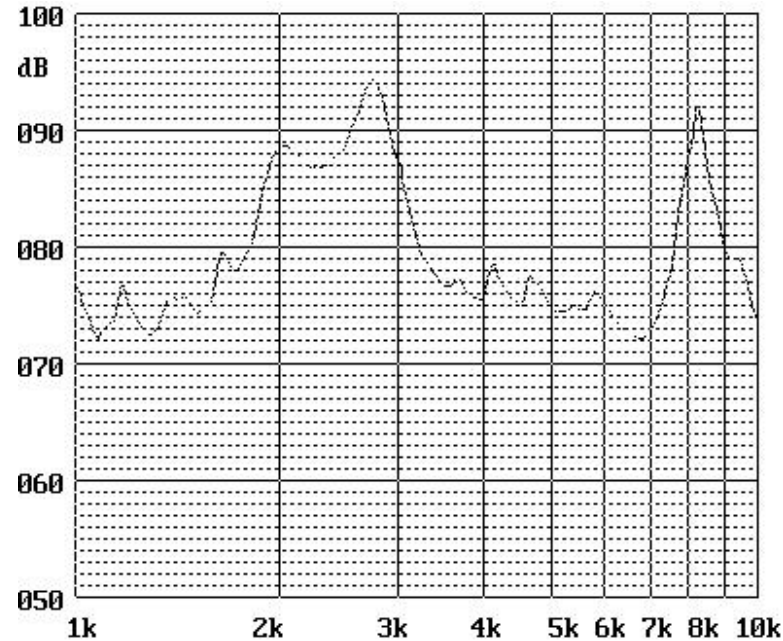
QINLON

1. 产品照片 Product photo:

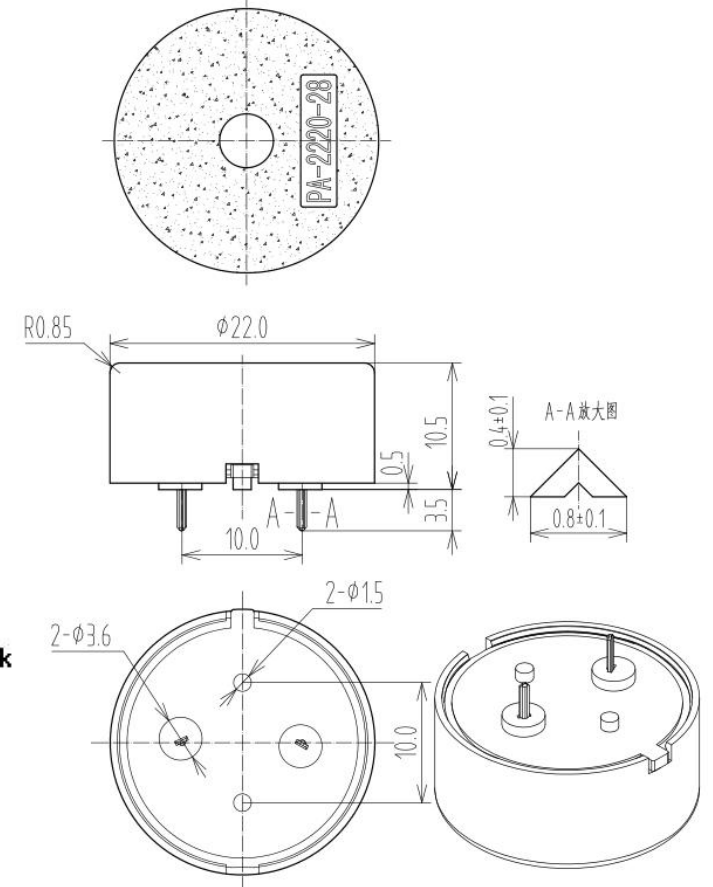


4. 频率曲线 Freq. Response

※Rated voltage, 1/2 duty square wave, 10cm.



5. 尺寸 Dimensions: Unit: mm 未注公差: ± 0.5



2. 型号及含义

Explanation of model number:

PA-2228-BP

PA: 压电无源蜂鸣器

22: 蜂鸣器外径22.0mm

28: 频率 28: 2800Hz

BP: 插针系列

3. 规格 Specifications

Item [项目]	Specifications [规格]
Operating Voltage 工作电压	1~30Vp-p
Capacitance 电容量	30 ($\pm 30\%$) nF at 120Hz
Sound Pressure Level 输出声压	Min 90dB At 2800Hz/12Vp-p/方波/10cm
Rated current 消耗电流	Max. 10mA At 2800Hz/12Vp-p 方波
Resonant Frequency 额定频率	2.0 \pm 0.3kHz
Operating Temperature 工作温度	-40~+85°C
Storage Temperature 储存温度	-40~+85°C
Weight 重量	2.5g

6. 包装 packaging

①. Each unit box contains 100 pcs. [每个单元盒包装 100 只产品]

②. Each box contains 1000 pcs. [每一内盒装 1000 只产品]

③. Each outer packing box contains 2000 pcs. [每一外包装箱装 2000 只产品]

Packing size: 470x350x350mm

担当: BUZZER

审核:

日期: 2024. 04. 25

92 146 2220

Part Number: **CBE2220BS**

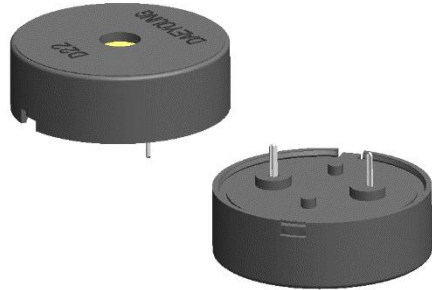
Part Specification: $\Phi 22.0 \times 7.5, 2000\text{Hz}, L: 10.0\text{mm}$

压电式蜂鸣器规格示样书

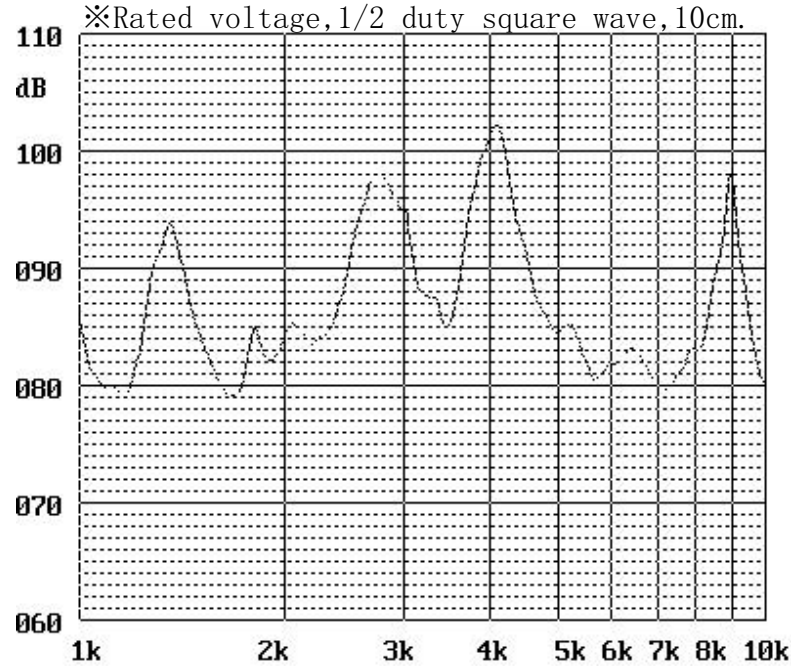
Piezoelectric buzzer specification

QINLON

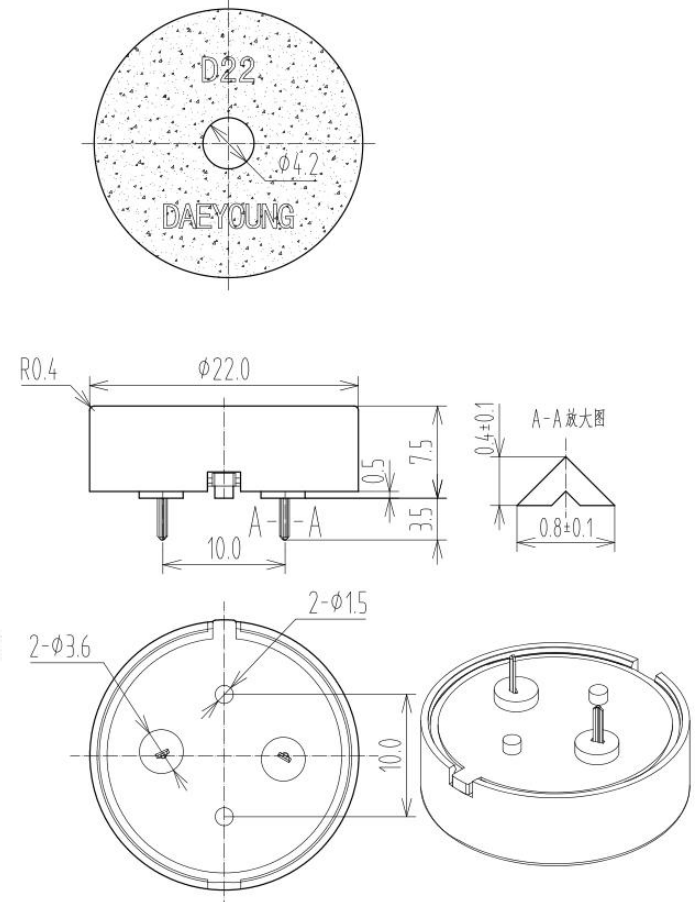
1. 产品照片 Product photo:



4. 频率曲线 Freq. Response



5. 尺寸 Dimensions: Unit: mm 未注公差: ± 0.5



2. 型号及含义

Explanation of model number:

CBE2220BS

CBE: 压电无源蜂鸣器

22: 蜂鸣器外径22.0mm

20: 频率20: 2000Hz

BS: 插针系列

3. 规格 Specifications

Item [项目]	Specifications [规格]
Operating Voltage 工作电压	1~30Vp-p
Capacitance 电容量	30 ($\pm 30\%$) nF at 120Hz
Sound Pressure Level 输出声压	Min 80dB At 2000Hz/9Vp-p/方波/10cm
Rated current 消耗电流	Max. 10mA At 2000Hz/9Vp-p 方波
Resonant Frequency 额定频率	2.0 \pm 0.5kHz
Operating Temperature 工作温度	-40~+85°C
Storage Temperature 储存温度	-40~+85°C
Weight 重量	2.4g

6. 包装 packaging

- ①. Each unit box contains 100 pcs. [每个单元盒包装 100 只产品]
- ②. Each box contains 1000 pcs. [每一内盒装 1000 只产品]
- ③. Each outer packing box contains 2000 pcs. [每一外包装箱装 2000 只产品]

Packing size: 495x345x190mm

担当: BUZZER

审核:

日期: 2024. 05. 08

92 235 2220

Part Number: **CBE2240BP**

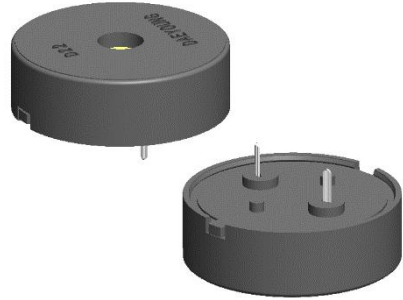
Part Specification: $\Phi 22.0 \times 7.5, 4000\text{Hz}, L: 10.0\text{mm}$

压电式蜂鸣器规格示样书

Piezoelectric buzzer specification

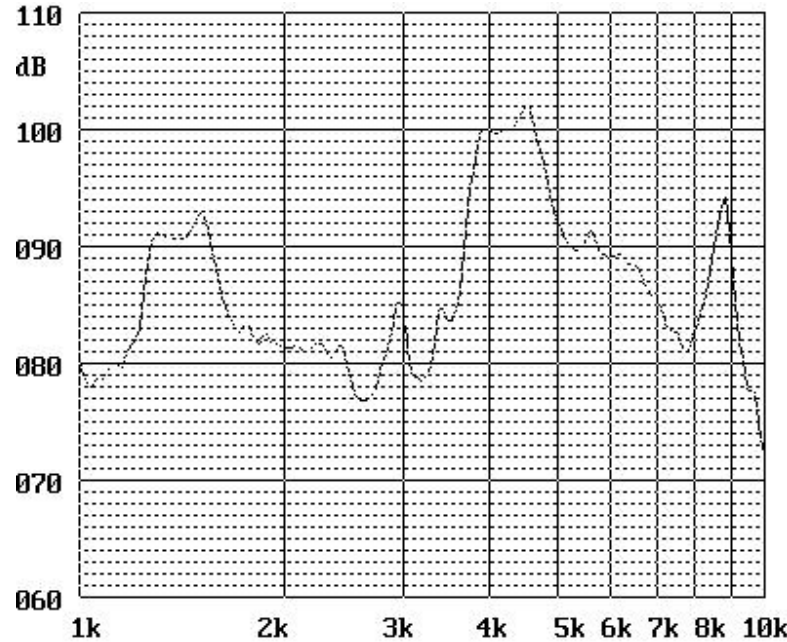
QINLON

1. 产品照片 Product photo:

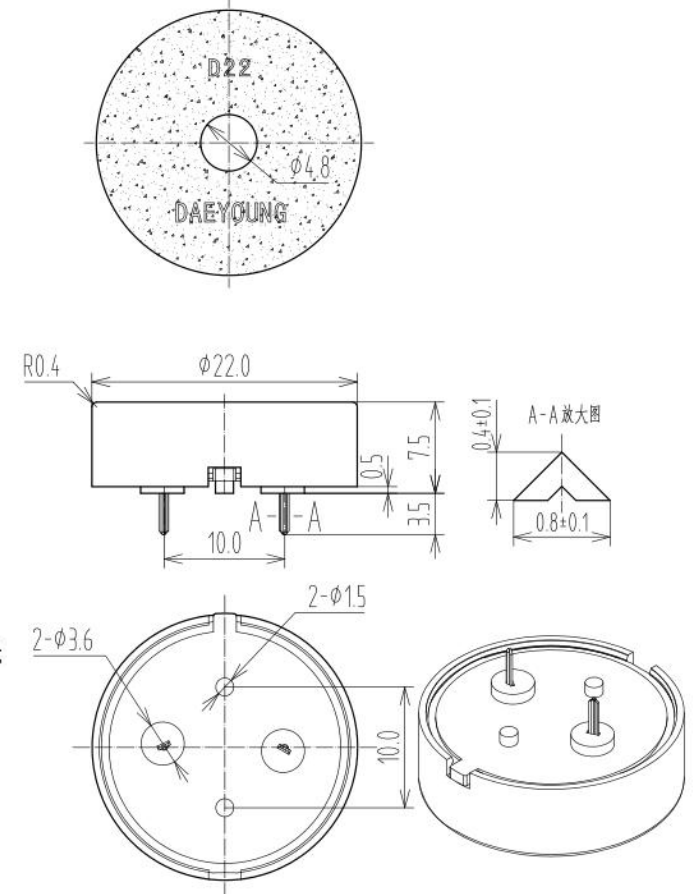


4. 频率曲线 Freq. Response

※Rated voltage, 1/2 duty square wave, 10cm.



5. 尺寸 Dimensions: Unit: mm 未注公差: ± 0.5



2. 型号及含义

Explanation of model number:

CBE2240BP

CBE: 压电无源蜂鸣器

22: 蜂鸣器外径22.0mm

40: 频率40:4000Hz

BP: 插针系列

3. 规格 Specifications

Item [项目]	Specifications [规格]
Operating Voltage 工作电压	1~30Vp-p
Capacitance 电容量	15($\pm 30\%$) nF at 120Hz
Sound Pressure Level 输出声压	Min 90dB At 4000Hz/9Vp-p/方波/10cm
Rated current 消耗电流	Max. 10mA At 2000Hz/9Vp-p 方波
Resonant Frequency 额定频率	4.0 \pm 0.5kHz
Operating Temperature 工作温度	-40~+85 $^{\circ}$ C
Storage Temperature 储存温度	-40~+85 $^{\circ}$ C
Weight 重量	2.7g

6. 包装 packaging

①. Each unit box contains 100 pcs. [每个单元盒包装 100 只产品]

②. Each box contains 1000 pcs. [每一内盒装 1000 只产品]

③. Each outer packing box contains 2000 pcs. [每一外包装箱装 2000 只产品]

Packing size: 495x345x190mm

担当: BUZZER

审核:

日期: 2024. 05. 08

92 137 2240