

Part Number: **PA-1340B**

[CBE1340BP-M]

Part Specification:  $\Phi 12.6 \times 6.9, 4000\text{Hz}, L: 5.0\text{mm}$

压电式蜂鸣器规格示样书

Piezoelectric buzzer specification

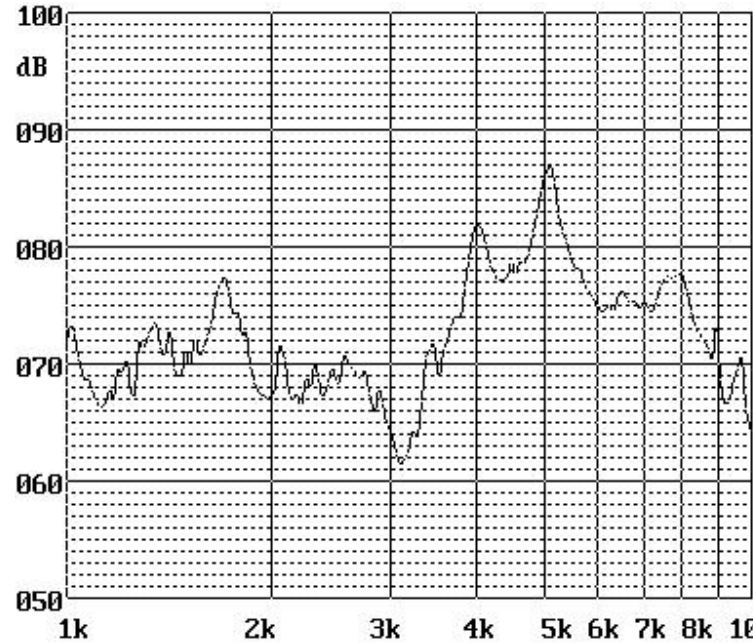
**QINLON**

1. 产品照片 Product photo:

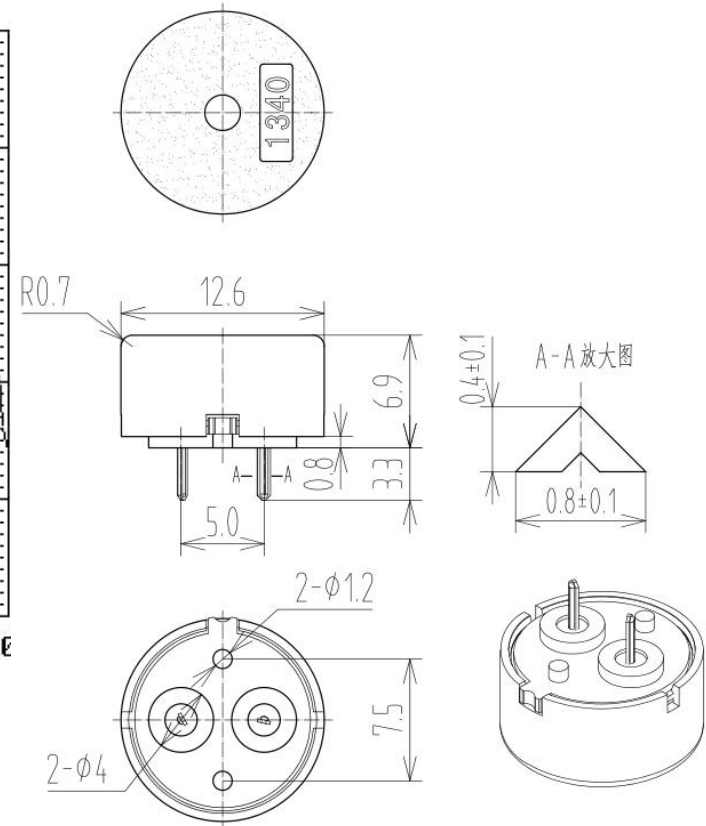


4. 频率曲线 Freq. Response

※Rated voltage, 1/2 duty square wave, 10cm.



5. 尺寸 Dimensions: Unit: mm 未注公差:  $\pm 0.5$



2. 型号及含义

Explanation of model number:

PA-1340B-M

PA: 压电无源蜂鸣器

13: 蜂鸣器外径12.6mm

40: 频率 40: 4000Hz

B: 插针

M: 灌胶的应对

3. 规格 Specifications

Item [项目]	Specifications [规格]
Operating Voltage 工作电压	1~30Vp-p
Capacitance 电容量	10 ( $\pm 30\%$ ) nF at 120Hz
Sound Pressure Level 输出声压	Min 70dB At 4000Hz/3Vp-p/方波/10cm
Rated current 消耗电流	Max2.5mA At 4000Hz/3Vp-p 方波
Resonant Frequency 额定频率	4.0 $\pm$ 0.4kHz
Operating Temperature 工作温度	-40~+85 $^{\circ}$ C
Storage Temperature 储存温度	-40~+85 $^{\circ}$ C
Weight 重量	0.65g

6. 包装 packaging

①. Each unit box contains 100 pcs. [每个单元盒包装 100 只产品]

②. Each box contains 500 pcs. [每一内盒装 500 只产品]

③. Each outer packing box contains 4000 pcs. [每一外包装箱装 4000 只产品]

Packing size: 480x440x215mm

担当: BUZZER

审核:

日期: 2024.05.08

**92 216 1340**