

Part Number: YMD-0903A

Part Specification: DC5V, $\Phi 9.0 \times 5.5$, 2.7 ± 0.4 kHz, L: 5.0 mm

电磁式蜂鸣器规格示样书

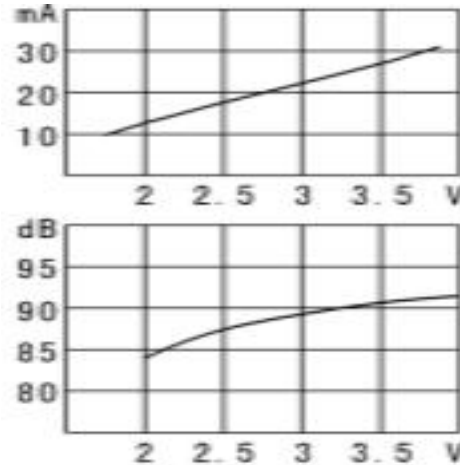
Magnetic Buzzer specification sheet

QINLON

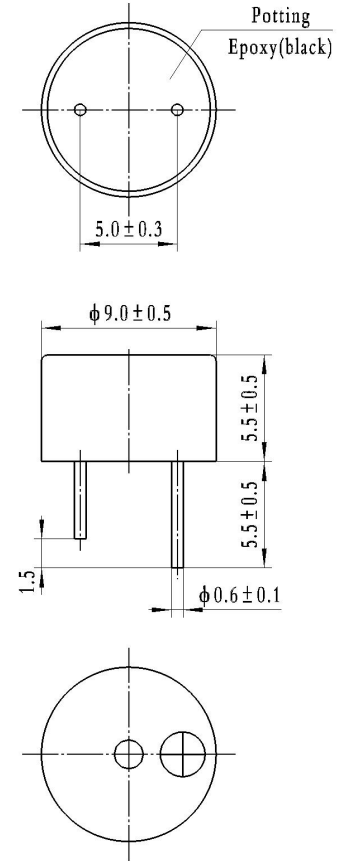
1. 产品照片 Product photo:

(attached)

4. 产品特性 Characteristics



5. 尺寸 Dimensions: Unit: mm 未注公差: ± 0.5



2. 型号及含义

Explanation of model number:

YMD-0903A

YMD: 灌封胶式电磁有源蜂鸣器

09: 蜂鸣器外径(圆型)

035: 代表额定电压为3VDC

A: 外形结构为一体式

3. 规格 Specifications

Item [项目]	Specifications [规格]
Rated Voltage 额定电压	3VDC
Operating Voltage 工作电压	2~4VDC
Current Consumption 电流损耗	Max. 30mA [At 3VDC]
Sound Output 输出声压级	Min. 80dB [At 3VDC, 10cm]
Basic Frequency 发声频率	2.7 ± 0.4 kHz
Operating Temperature 工作温度	-40~+85°C
Storage Temperature 储存温度	-40~+85°C
Weight 重量	0.5g

6. 包装 packaging

①. Each foam box contains 100 pcs. [每一泡沫盒装 100 只产品]

②. 1000pcs/one bundle. [每一捆包 1000 只产品]

③. Each outer packing box contains 5000 pcs. [每一外包装箱装 5000 只产品]

Packing size: 505x420x280mm

担当: BUZZER

审核:

日期: 2024. 05. 08

1

2

3

4

5

6