

Description

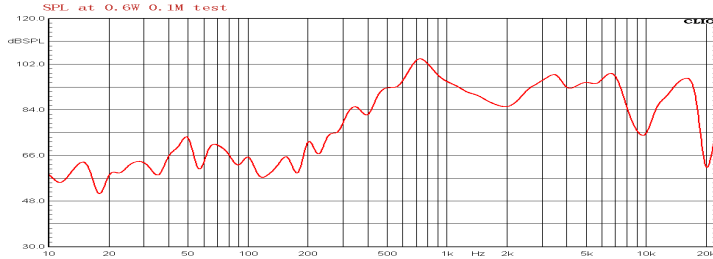
Chinasound SMD Micro Speaker 29mm width, Round frame, 8mm height - 8 ohm rated impedance, SmCo, 0.6W rated power – type PI cone, 700 Hz rated frequency, lead Free solderable and RoHS compliant

- ◆ RoHS compliant
- ◆ Water-proof
- ◆ Lead Free Reflowing Solderable

Picture



Frequency Response Curve tested by CLIO at 0.6W 0.1m



Specification

- Rated Impedance
- Rated Power
- Max. Power
- Resonant Frequency
- Frequency Range
- Sound Pressure Level
- Distortion
- Operating Temperature
- Storage Temperature
- Termination
- Construction Materials
- Weight (Typical)
- Reliability

Description
Case
Diaphragm

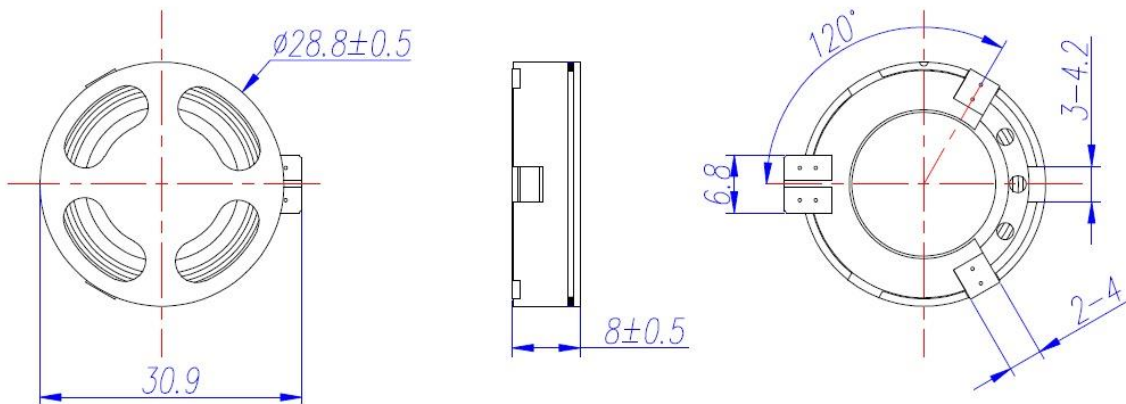
- *Buzzes & Rattles
- *Load Test
- *High Temperature
- *Low Temperature
- *Humidity
- *Thermal Shock
- *Vibration

8+/-15% ohm (Other Rated Impedance is available.)
 0.6 W
 1 W
 700+/-20% Hz
 fo ~ 20,000 Hz
 97+/-3dB@0.6W 0.1m(Average of SPL values at 800 1,000 1,200 & 1,500 Hz.)
 ≤5% at 0.6W 1KHz
 -40°C to +85°C
 -40°C to +90°C
 PCB, Sn plated
 Plastic, LCP Vectra E130i
 PI Mylar
 9g
 Must be normal at 2.19V(=0.6W) sine wave
 0.6W white noise for 96hrs
 no function at +90 +/-2°C for 96 hours, function at +85+/-2°C for 16 hours,
 no function at -40+/-2°C for 96 hours, function at -40+/-2°C for 16 hours,
 +40+/-2°C, 90 ~ 95% R.H. for 48hrs
 -40+/-2°C, 30min→+20°C, 15min, →+85+/-2°C, 30min→+20°C, 15min, 5 cycles
 1.5mm with 10 to 50Hz of vibration frequency to each of 3 perpendicular direction for 2 hrs
 For a period of one (1) year from date of manufacture under normal operations

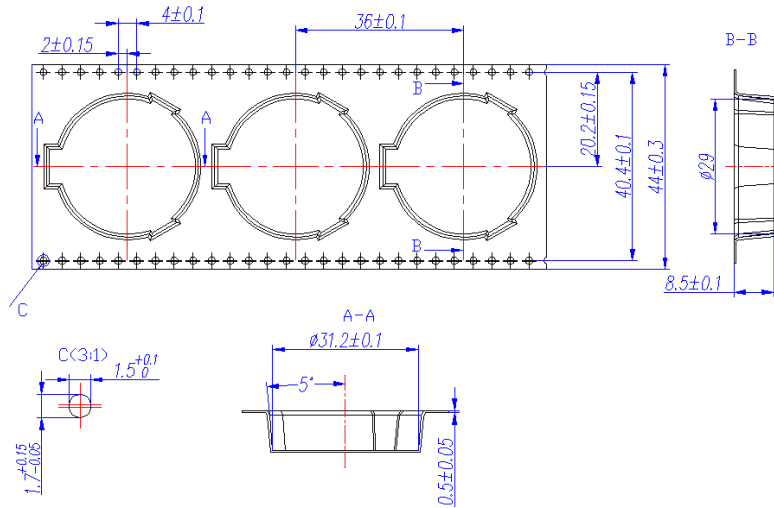
Warranty

* All specifications must be satisfied after the test (Recovery:2 to 4 hrs of recovery under the standard condition after the removal from test chamber).

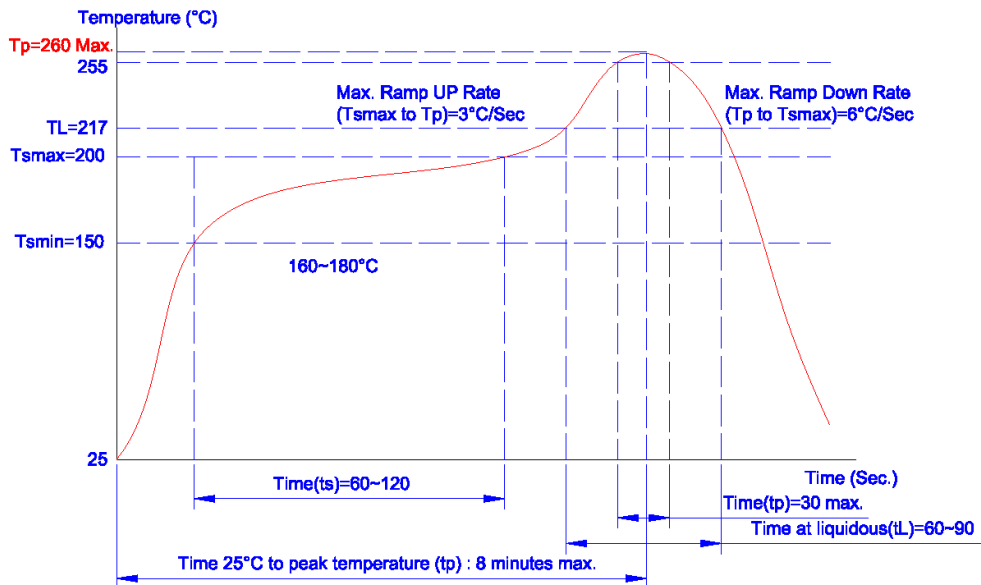
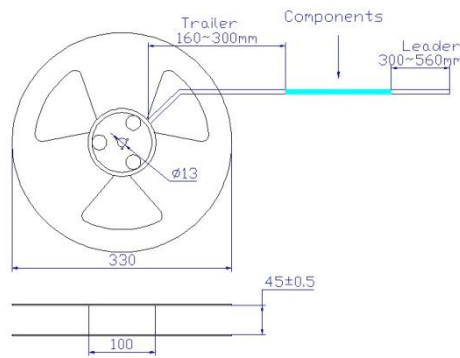
Dimensions (Unit: mm)



Tape & Reel Dimensions (Unit:mm)



1. 10 sprocket holes pitch cumulative tolerance +/-0.20mm.
2. Carrier camber not to exceed 1 mm in 100 mm.
3. Ao and Bo measured on a plane on a place 0.3 mm above the bottom of the pocket.
4. Ko measured from a plane on the inside bottom of the pocket to the top surface of the carrier.
5. All dimensions meet EIA-481-2-A requirements.
6. Thickness: 0.50+/-0.05 mm.
7. Component loaded per 13" reel: 200 pcs.



All specifications are subject to change without notice

Revisions History

Version Number	Description	Name	Date
SP1.10.081-A0	Original, CSMS29R8-8N0.6-P700R	Chrissy Deng	2017-03-15
SP1.10.081-A1	1)Change the material of the magnet from NdFeB to SmCo 2) Add Distortion and Tape & Reel Dimensions	Chrissy Deng	2017-07-19
SP1.10.081-A2	1) Change the size of the reel from 15" to 13" 2) Reduce the number of the products from 250pcs per reel to 200pcs per reel.	Chrissy Deng	2023-02-06