
150mA ULTRA LOW SUPPLY CURRENT LDO REGULATOR

NO.EA-150-161026

OUTLINE

The RP104x Series are CMOS-based voltage regulator ICs with high output voltage accuracy, extremely low supply current and low ON-resistance. Each of these ICs consists of a voltage reference unit, an error amplifier, resistor-net for voltage setting, a current limit circuit and a chip enable circuit.

These ICs perform with ultra low supply current (Typ.1.0 μ A), which prolong the battery life. Since the packages for these ICs are DFN(PL)1010-4, SOT-23-5 and SC-82AB, therefore high density mounting of the ICs on boards is possible.

FEATURES

- Supply CurrentTyp. 1.0 μ A
(Except the current through CE pull down circuit)
- Standby CurrentTyp. 0.1 μ A
- Dropout Voltage.....Typ. 0.24V ($I_{OUT}=150mA$, $V_{OUT}=2.8V$)
- Temperature-Drift Coefficient of Output VoltageTyp. $\pm 40ppm/^{\circ}C$
- Line RegulationTyp. 0.02%/V
- Output Voltage Accuracy $\pm 0.8\%$
- Packages.....DFN(PL)1010-4, SC-82AB, SOT-23-5
- Input Voltage Range.....1.7V to 5.25V
- Output Voltage Range1.2V to 3.3V (0.1V steps)
(For other voltages, please refer to MARK INFORMATIONS.)
- Built-in Fold Back Protection Circuit.....Typ. 40mA (Current at short mode)
- Ceramic capacitors are recommended to be used with this IC 0.1 μ F or more

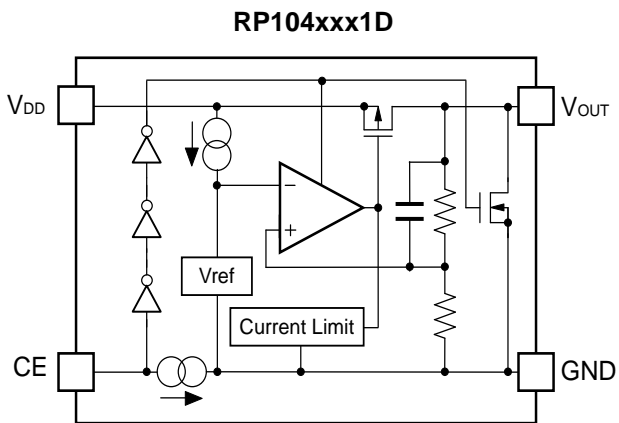
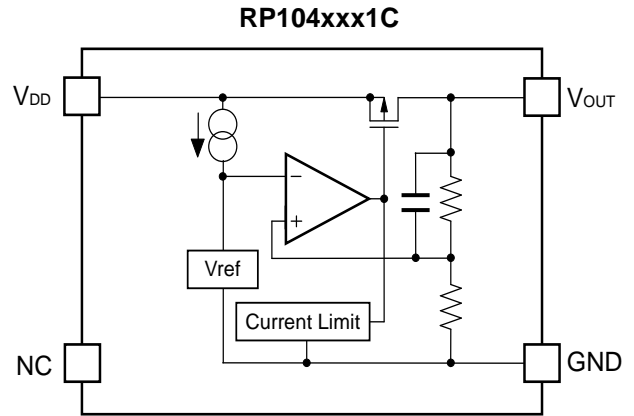
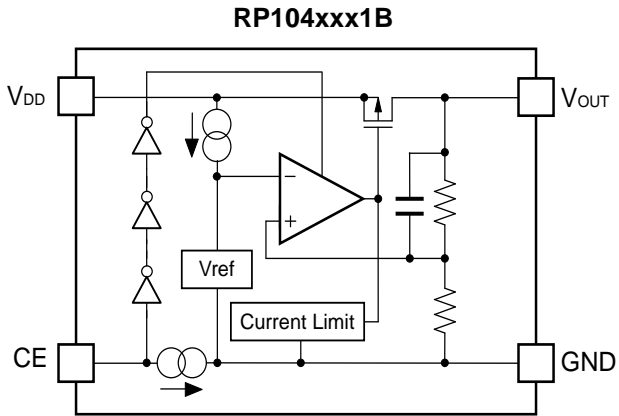
APPLICATIONS

- Power source for portable communication equipment.
- Power source for electrical appliances such as cameras, VCRs and camcorders.
- Power source for battery-powered equipment.

RP104x

NO.EA-150-161026

BLOCK DIAGRAMS



SELECTION GUIDE

The output voltage, chip enable circuit, auto discharge function, package, and the taping type, etc. for the ICs can be selected at the user's request.

| Product Name | Package | Quantity per Reel | Pb Free | Halogen Free |
|------------------|---------------|-------------------|---------|--------------|
| RP104Kxx1*-TR | DFN(PL)1010-4 | 10,000 pcs | Yes | Yes |
| RP104Qxx1*-TR-FE | SC-82AB | 3,000 pcs | Yes | Yes |
| RP104Nxx1*-TR-FE | SOT-23-5 | 3,000 pcs | Yes | Yes |

xx : Setting Output Voltage (V_{OUT}):

1.2V, 1.3V, 1.5V, 1.7V, 1.8V, 1.85V, 1.9V,
2.0V, 2.1V, 2.2V, 2.3V, 2.4V, 2.5V, 2.6V, 2.7V, 2.8V, 2.85V, 2.9V,
3.0V, 3.1V, 3.2V, 3.3V

Exception: 1.85V=RP104x181x5

2.85V=RP104x281x5

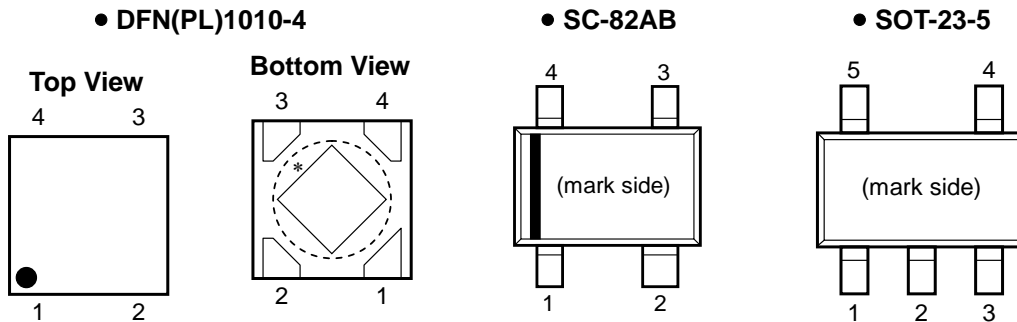
* : CE pin polarity and auto discharge function at off state are options as follows.

- (B) "H" active, without auto discharge function at off state
- (C) without chip enable circuit, and without auto discharge function at off state
- (D) "H" active, with auto discharge function at off state

RP104x

NO.EA-150-161026

PIN CONFIGURATIONS



PIN DESCRIPTIONS

• DFN(PL)1010-4

| Pin No | Symbol | Pin Description |
|--------|-----------|---|
| 1 | V_{OUT} | Output Pin |
| 2 | GND | Ground Pin |
| 3 | CE / NC | Chip Enable Pin ("H" Active) or No Connection |
| 4 | V_{DD} | Input Pin |

*) Tab is GND level. (They are connected to the reverse side of this IC.)
The tab is better to be connected to the GND, but leaving it open is also acceptable.

• SC-82AB

| Pin No | Symbol | Pin Description |
|--------|-----------|---|
| 1 | CE / NC | Chip Enable Pin ("H" Active) or No Connection |
| 2 | GND | Ground Pin |
| 3 | V_{OUT} | Output Pin |
| 4 | V_{DD} | Input Pin |

• SOT-23-5

| Pin No | Symbol | Pin Description |
|--------|-----------|---|
| 1 | V_{DD} | Input Pin |
| 2 | GND | Ground Pin |
| 3 | CE / NC | Chip Enable Pin ("H" Active) or No Connection |
| 4 | NC | No Connection |
| 5 | V_{OUT} | Output Pin |

ABSOLUTE MAXIMUM RATINGS

| Symbol | Item | Rating | Unit |
|-----------|------------------------------------|----------------------|------|
| V_{IN} | Input Voltage | 6.0 | V |
| V_{CE} | Input Voltage (CE Pin) | 6.0 | V |
| V_{OUT} | Output Voltage | -0.3 to $V_{IN}+0.3$ | V |
| I_{OUT} | Output Current | 200 | mA |
| P_D | Power Dissipation (DFN(PL)1010-4)* | 400 | mW |
| | Power Dissipation (SC-82AB)* | 380 | |
| | Power Dissipation (SOT-23-5)* | 420 | |
| T_{opt} | Operating Temperature Range | -40 to 85 | °C |
| T_{stg} | Storage Temperature Range | -55 to 125 | °C |

*) For Power Dissipation, please refer to PACKAGE INFORMATION.

ABSOLUTE MAXIMUM RATINGS

Electronic and mechanical stress momentarily exceeded absolute maximum ratings may cause the permanent damages and may degrade the life time and safety for both device and system using the device in the field.

The functional operation at or over these absolute maximum ratings is not assured.

RP104x

NO.EA-150-161026

ELECTRICAL CHARACTERISTICS

● **RP104xxx1B/C/D**

V_{IN}=Set V_{OUT}+1V for V_{OUT} options greater than 1.5V. V_{IN}=2.5V for V_{OUT} ≤ 1.5V.

I_{OUT}=1mA, C_{IN}=C_{OUT}=0.1μF, unless otherwise noted.

The specifications surrounded by are guaranteed by Design Engineering at -40°C ≤ T_{opt} ≤ 85°C.

T_{opt}=25°C

| Symbol | Item | Conditions | Min. | Typ. | Max. | Unit | |
|--------------------------------------|---|---|---|--|--|--|----|
| V _{OUT} | Output Voltage | T _{opt} =25°C | V _{OUT} > 2.0V | ×0.992 | | ×1.008 | V |
| | | | V _{OUT} ≤ 2.0V | -16 | | +16 | mV |
| | | -40°C ≤ T _{opt} ≤ 85°C | V _{OUT} > 2.0V | ×0.985 | | ×1.015 | V |
| | | | V _{OUT} ≤ 2.0V | -30 | | +30 | mV |
| I _{OUT} | Output Current | | 150 | | | mA | |
| ΔV _{OUT} /ΔI _{OUT} | Load Regulation | 1mA ≤ I _{OUT} ≤ 150mA | | 10 | 20 | mV | |
| V _{DIF} | Dropout Voltage | I _{OUT} =150mA | 1.2V ≤ V _{OUT} < 1.5V | | 0.76 | 1.05 | V |
| | | | 1.5V ≤ V _{OUT} < 1.7V | | 0.53 | 0.80 | |
| | | | 1.7V ≤ V _{OUT} < 2.0V | | 0.44 | 0.65 | |
| | | | 2.0V ≤ V _{OUT} < 2.5V | | 0.34 | 0.50 | |
| | | | 2.5V ≤ V _{OUT} < 2.8V | | 0.28 | 0.40 | |
| | | | 2.8V ≤ V _{OUT} ≤ 3.3V | | 0.24 | 0.32 | |
| I _{SS} | Supply Current | I _{OUT} =0mA | | 1.0 | 1.5 | μA | |
| I _{standby} | Standby Current | V _{CE} =0V | | 0.1 | 1.0 | μA | |
| ΔV _{OUT} /ΔV _{IN} | Line Regulation | Set V _{OUT} +0.5V ≤ V _{IN} ≤ 5.0V | | 0.02 | 0.10 | %/V | |
| V _{IN} | Input Voltage* | | 1.7 | | 5.25 | V | |
| ΔV _{OUT} /ΔT _{opt} | Output Voltage Temperature Coefficient | -40°C ≤ T _{opt} ≤ 85°C | | ±40 | | ppm/°C | |
| I _{SC} | Short Current Limit | V _{OUT} =0V | | 40 | | mA | |
| I _{PD} | CE Pull-down Current | | | 0.3 | | μA | |
| V _{CEH} | CE Input Voltage "H" | | 1.5 | | | V | |
| V _{CEL} | CE Input Voltage "L" | | | | 0.3 | V | |
| R _{LOW} | Low Output Nch Tr. ON Resistance (of D version) | V _{IN} =4.0V V _{CE} =0V | | 30 | | Ω | |

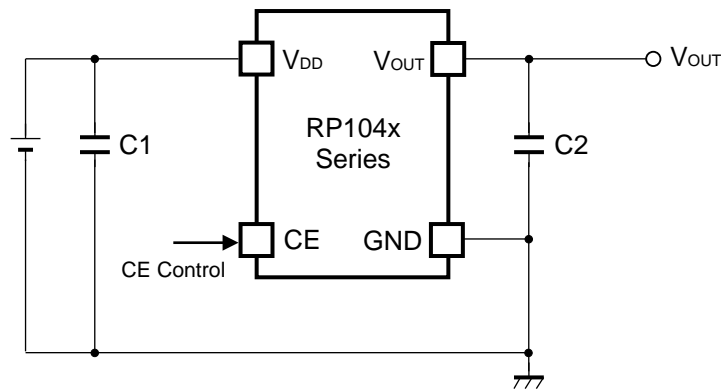
All of units are tested and specified under load conditions such that T_j≈T_{opt}=25°C except for Output Voltage Temperature Coefficient.

*) When Input Voltage is 5.5V, the total operational time must be within 500hrs.

RECOMMENDED OPERATING CONDITIONS (ELECTRICAL CHARACTERISTICS)

All of electronic equipment should be designed that the mounted semiconductor devices operate within the recommended operating conditions. The semiconductor devices cannot operate normally over the recommended operating conditions, even if when they are used over such conditions by momentary electronic noise or surge. And the semiconductor devices may receive serious damage when they continue to operate over the recommended operating conditions.

TYPICAL APPLICATION



(External Components)

C2 0.1 μ F MURATA: GRM155B31C104KA87B

TECHNICAL NOTES

When using these ICs, consider the following points:

Phase Compensation

In these ICs, phase compensation is made for securing stable operation even if the load current is varied. For this purpose, use a capacitor C2 with good frequency characteristics and ESR (Equivalent Series Resistance). (Note: If additional ceramic capacitors are connected with parallel to the output pin with an output capacitor for phase compensation, the operation might be unstable. Because of this, test these ICs with as same external components as ones to be used on the PCB.)

PCB Layout

Make V_{DD} and GND lines sufficient. If their impedance is high, noise pickup or unstable operation may result. Connect a capacitor C1 with a capacitance value as much as 0.1 μ F or more between V_{DD} and GND pin, and as close as possible to the pins.

Set external components, especially the output capacitor C2, as close as possible to the ICs, and make wiring as short as possible.

RP104x

NO.EA-150-161026

PACKAGE INFORMATION

• **Power Dissipation (DFN(PL)1010-4)**

Power Dissipation (P_D) depends on conditions of mounting on board. This specification is based on the measurement at the condition below:

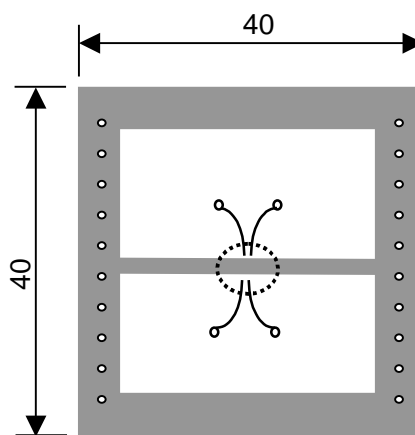
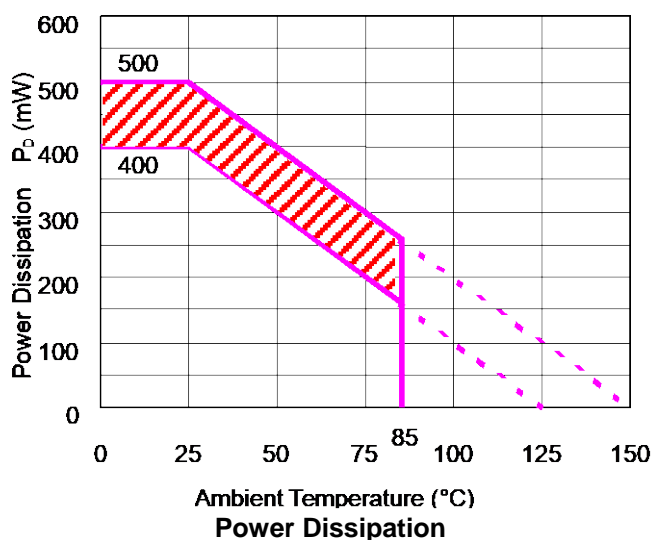
Measurement Conditions

| | Standard Land Pattern |
|------------------|---|
| Environment | Mounting on Board (Wind Velocity=0m/s) |
| Board Material | Glass Cloth Epoxy Plastic (Double-sided) |
| Board Dimensions | 40mm x 40mm x 1.6mm |
| Copper Ratio | Topside: Approx. 50%, Backside: Approx. 50% |
| Through-holes | ϕ 0.54mm x 24pcs |

Measurement Result

($T_a=25^\circ\text{C}$)

| | Standard Land Pattern |
|--------------------|--|
| Power Dissipation | 400mW ($T_{jmax}=125^\circ\text{C}$) 500mW ($T_{jmax}=150^\circ\text{C}$) |
| Thermal Resistance | $\theta_{ja} = (125-25^\circ\text{C})/0.4\text{W} = 250^\circ\text{C/W}$ $\theta_{jc} = 67^\circ\text{C/W}$ |



Measurement Board Pattern
○ IC Mount Area (Unit:mm)

The above graph shows the Power Dissipation of the package based on $T_{jmax}=125^\circ\text{C}$ and $T_{jmax}=150^\circ\text{C}$. Operating the IC in the shaded area in the graph might have an influence it's lifetime.

Operating time must be within the time limit described in the table below, in case of operating in the shaded area.

| Operating Time | Estimated years (Operating 4 hours/day) |
|-----------------------|--|
| 13,000 hours | 9 years |

RP104x

NO.EA-150-161026

● RP104Kxx1x Series Mark Specification Table (DFN(PL)1010-4)

RP104Kxx1B

| Product Name | ①② | V _{SET} |
|--------------|----|------------------|
| RP104K121B | AA | 1.2V |
| RP104K131B | AB | 1.3V |
| RP104K151B | AC | 1.5V |
| RP104K181B | AD | 1.8V |
| RP104K191B | AF | 1.9V |
| RP104K201B | AG | 2.0V |
| RP104K211B | AX | 2.1V |
| RP104K221B | AU | 2.2V |
| RP104K231B | AV | 2.3V |
| RP104K241B | AT | 2.4V |
| RP104K251B | AH | 2.5V |
| RP104K261B | AJ | 2.6V |
| RP104K271B | AK | 2.7V |
| RP104K281B | AL | 2.8V |
| RP104K291B | AN | 2.9V |
| RP104K301B | AP | 3.0V |
| RP104K311B | AS | 3.1V |
| RP104K321B | AQ | 3.2V |
| RP104K331B | AR | 3.3V |
| RP104K181B5 | AE | 1.85V |
| RP104K281B5 | AM | 2.85V |
| RP104K171B | AY | 1.7V |

RP104Kxx1C

| Product Name | ①② | V _{SET} |
|--------------|----|------------------|
| RP104K121C | BA | 1.2V |
| RP104K131C | BB | 1.3V |
| RP104K151C | BC | 1.5V |
| RP104K181C | BD | 1.8V |
| RP104K191C | BF | 1.9V |
| RP104K201C | BG | 2.0V |
| RP104K211C | BX | 2.1V |
| RP104K221C | BU | 2.2V |
| RP104K231C | BV | 2.3V |
| RP104K241C | BT | 2.4V |
| RP104K251C | BH | 2.5V |
| RP104K261C | BJ | 2.6V |
| RP104K271C | BK | 2.7V |
| RP104K281C | BL | 2.8V |
| RP104K291C | BN | 2.9V |
| RP104K301C | BP | 3.0V |
| RP104K311C | BS | 3.1V |
| RP104K321C | BQ | 3.2V |
| RP104K331C | BR | 3.3V |
| RP104K181C5 | BE | 1.85V |
| RP104K281C5 | BM | 2.85V |
| RP104K171C | BY | 1.7V |

RP104Kxx1D

| Product Name | ①② | V _{SET} |
|--------------|----|------------------|
| RP104K121D | CA | 1.2V |
| RP104K131D | CB | 1.3V |
| RP104K151D | CC | 1.5V |
| RP104K181D | CD | 1.8V |
| RP104K191D | CF | 1.9V |
| RP104K201D | CG | 2.0V |
| RP104K211D | CX | 2.1V |
| RP104K221D | CU | 2.2V |
| RP104K231D | CV | 2.3V |
| RP104K241D | CT | 2.4V |
| RP104K251D | CH | 2.5V |
| RP104K261D | CJ | 2.6V |
| RP104K271D | CK | 2.7V |
| RP104K281D | CL | 2.8V |
| RP104K291D | CN | 2.9V |
| RP104K301D | CP | 3.0V |
| RP104K311D | CS | 3.1V |
| RP104K321D | CQ | 3.2V |
| RP104K331D | CR | 3.3V |
| RP104K181D5 | CE | 1.85V |
| RP104K281D5 | CM | 2.85V |
| RP104K171D | CY | 1.7V |

● **Power Dissipation (SC-82AB)**

Power Dissipation (P_D) depends on conditions of mounting on board. This specification is based on the measurement at the condition below:

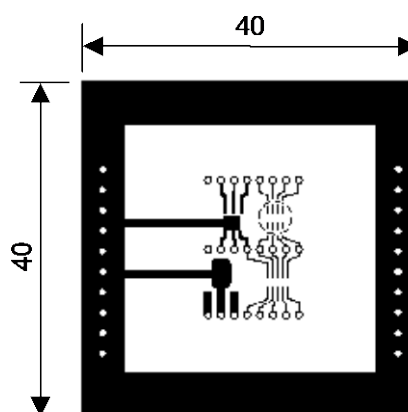
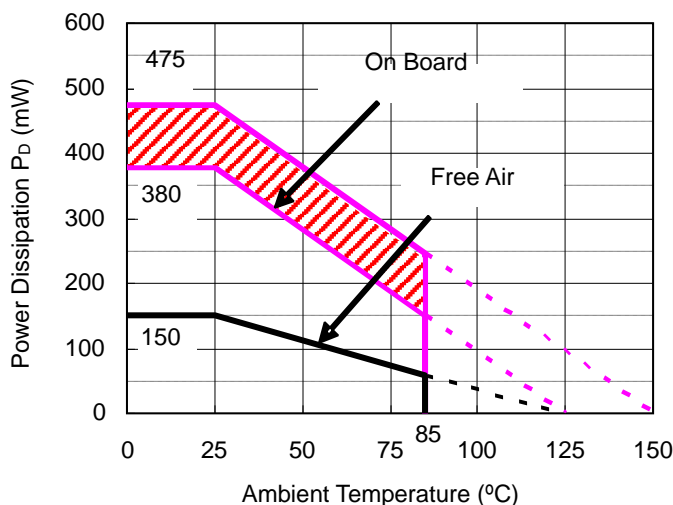
Measurement Conditions

| | Standard Land Pattern |
|------------------|---|
| Environment | Mounting on Board (Wind Velocity=0m/s) |
| Board Material | Glass Cloth Epoxy Plastic (Double-sided) |
| Board Dimensions | 40mm × 40mm × 1.6mm |
| Copper Ratio | Topside: Approx. 50%, Backside: Approx. 50% |
| Through-hole | φ0.5mm × 44pcs |

Measurement Result

($T_a=25^{\circ}\text{C}$)

| | Standard Land Pattern | Free Air |
|--------------------|--|--|
| Power Dissipation | 380mW ($T_{jmax}=125^{\circ}\text{C}$) 475mW ($T_{jmax}=150^{\circ}\text{C}$) | 150mW ($T_{jmax}=125^{\circ}\text{C}$) |
| Thermal Resistance | $\theta_{ja}=(125-25^{\circ}\text{C})/0.38\text{W}=263^{\circ}\text{C/W}$ | 667 $^{\circ}\text{C/W}$ |



Measurement Board Pattern
 ○ IC Mount Area (Unit : mm)

Power Dissipation

The above graph shows the Power Dissipation of the package based on $T_{jmax}=125^{\circ}\text{C}$ and $T_{jmax}=150^{\circ}\text{C}$. Operating the IC in the shaded area in the graph might have an influence it's lifetime.

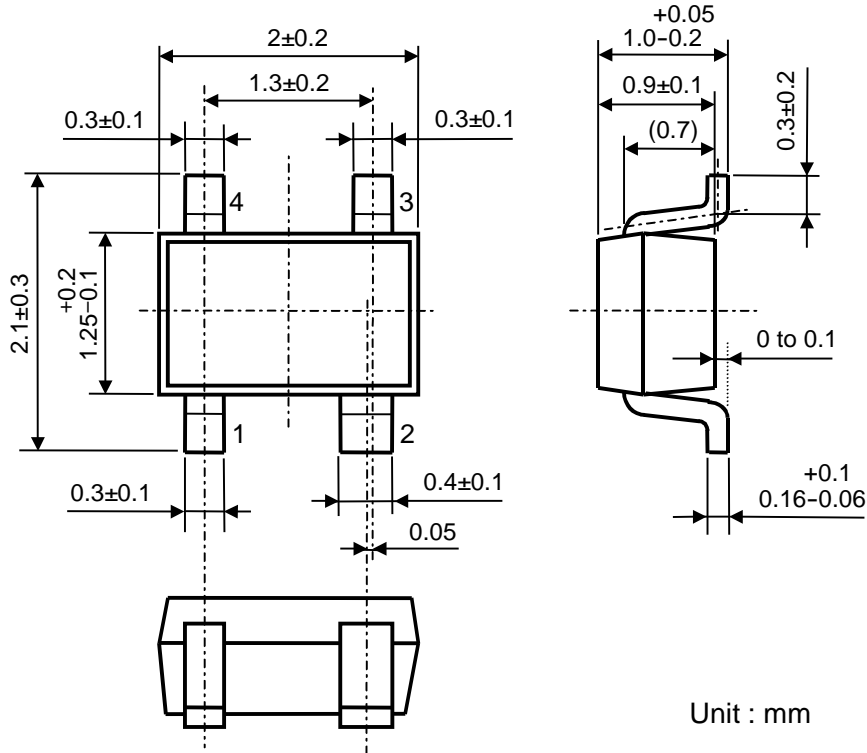
Operating time must be within the time limit described in the table below, in case of operating in the shaded area.

| Operating Time | Estimated years (Operating 4 hours/day) |
|----------------|--|
| 9,000 hours | 6 years |

RP104x

NO.EA-150-161026

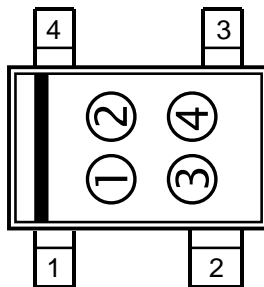
• **Package Dimensions (SC-82AB)**



• **Mark Specification (SC-82AB)**

①②: Product Code ... Refer to RP104Qxx1x Series Mark Specification Table

③④: Lot No. ... Alphanumeric Serial Number



*RP104Q (SC-82AB) is the discontinued product. As of March in 2018

RP104x

NO.EA-150-161026

● **RP104Qxx1xSeries Mark Specification Table (SC-82AB)**

RP104Qxx1B

| Product Name | ①② | V _{SET} |
|--------------|----|------------------|
| RP104Q121B | L0 | 1.2V |
| RP104Q131B | L1 | 1.3V |
| RP104Q151B | L2 | 1.5V |
| RP104Q181B | L3 | 1.8V |
| RP104Q191B | L5 | 1.9V |
| RP104Q201B | L6 | 2.0V |
| RP104Q211B | T1 | 2.1V |
| RP104Q221B | M8 | 2.2V |
| RP104Q231B | M9 | 2.3V |
| RP104Q241B | M7 | 2.4V |
| RP104Q251B | L7 | 2.5V |
| RP104Q261B | L8 | 2.6V |
| RP104Q271B | L9 | 2.7V |
| RP104Q281B | M0 | 2.8V |
| RP104Q291B | M2 | 2.9V |
| RP104Q301B | M3 | 3.0V |
| RP104Q311B | M6 | 3.1V |
| RP104Q321B | M4 | 3.2V |
| RP104Q331B | M5 | 3.3V |
| RP104Q181B5 | L4 | 1.85V |
| RP104Q281B5 | M1 | 2.85V |

RP104Qxx1C

| Product Name | ①② | V _{SET} |
|--------------|----|------------------|
| RP104Q121C | N0 | 1.2V |
| RP104Q131C | N1 | 1.3V |
| RP104Q151C | N2 | 1.5V |
| RP104Q181C | N3 | 1.8V |
| RP104Q191C | N5 | 1.9V |
| RP104Q201C | N6 | 2.0V |
| RP104Q211C | U1 | 2.1V |
| RP104Q221C | P8 | 2.2V |
| RP104Q231C | P9 | 2.3V |
| RP104Q241C | P7 | 2.4V |
| RP104Q251C | N7 | 2.5V |
| RP104Q261C | N8 | 2.6V |
| RP104Q271C | N9 | 2.7V |
| RP104Q281C | P0 | 2.8V |
| RP104Q291C | P2 | 2.9V |
| RP104Q301C | P3 | 3.0V |
| RP104Q311C | P6 | 3.1V |
| RP104Q321C | P4 | 3.2V |
| RP104Q331C | P5 | 3.3V |
| RP104Q181C5 | N4 | 1.85V |
| RP104Q281C5 | P1 | 2.85V |

RP104Qxx1D

| Product Name | ①② | V _{SET} |
|--------------|----|------------------|
| RP104Q121D | R0 | 1.2V |
| RP104Q131D | R1 | 1.3V |
| RP104Q151D | R2 | 1.5V |
| RP104Q181D | R3 | 1.8V |
| RP104Q191D | R5 | 1.9V |
| RP104Q201D | R6 | 2.0V |
| RP104Q211D | V1 | 2.1V |
| RP104Q221D | S8 | 2.2V |
| RP104Q231D | S9 | 2.3V |
| RP104Q241D | S7 | 2.4V |
| RP104Q251D | R7 | 2.5V |
| RP104Q261D | R8 | 2.6V |
| RP104Q271D | R9 | 2.7V |
| RP104Q281D | S0 | 2.8V |
| RP104Q291D | S2 | 2.9V |
| RP104Q301D | S3 | 3.0V |
| RP104Q311D | S6 | 3.1V |
| RP104Q321D | S4 | 3.2V |
| RP104Q331D | S5 | 3.3V |
| RP104Q181D5 | R4 | 1.85V |
| RP104Q281D5 | S1 | 2.85V |

RP104x

NO.EA-150-161026

• Power Dissipation (SOT-23-5)

Power Dissipation (P_D) depends on conditions of mounting on board. This specification is based on the measurement at the condition below. (Power Dissipation (SOT-23-5) is substitution of SOT-23-6.)

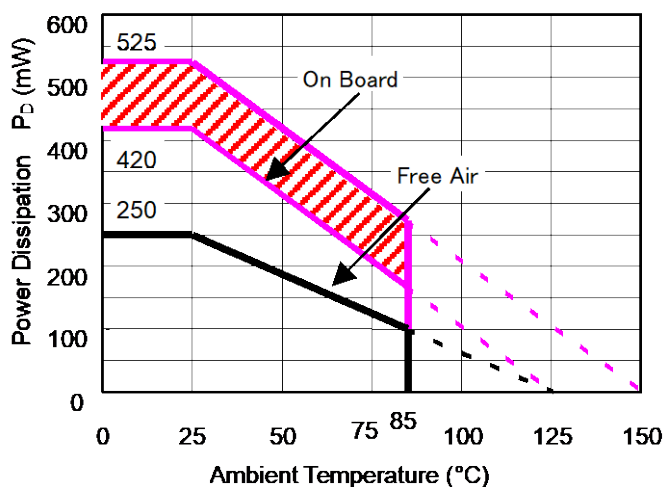
Measurement Conditions

| | Standard Land Pattern |
|------------------|---|
| Environment | Mounting on Board (Wind Velocity=0m/s) |
| Board Material | Glass Cloth Epoxy Plastic (Double-sided) |
| Board Dimensions | 40mm x 40mm x 1.6mm |
| Copper Ratio | Topside: Approx. 50%, Backside: Approx. 50% |
| Through-holes | ϕ 0.5mm x 44pcs |

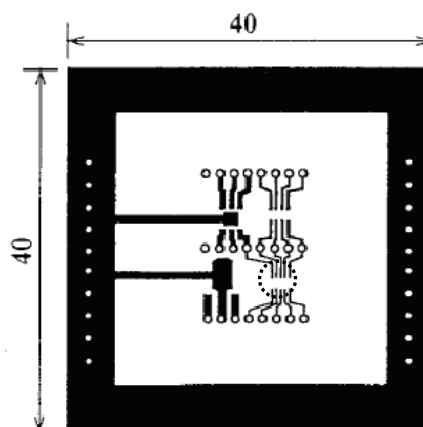
Measurement Result

($T_a=25^\circ\text{C}$)

| | Standard Land Pattern | Free Air |
|--------------------|--|---|
| Power Dissipation | 420mW ($T_{j\max}=125^\circ\text{C}$) 525mW ($T_{j\max}=150^\circ\text{C}$) | 250mW ($T_{j\max}=125^\circ\text{C}$) |
| Thermal Resistance | $\theta_{ja} = (125-25^\circ\text{C})/0.42\text{W} = 238^\circ\text{C/W}$ | 400 $^\circ\text{C/W}$ |



Power Dissipation



Measurement Board Pattern

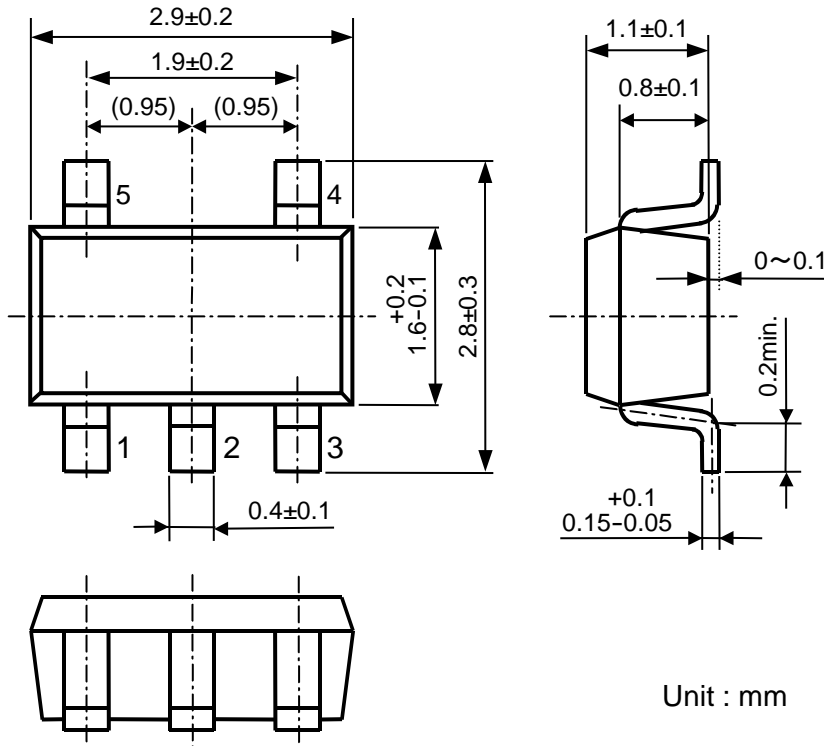
○ IC Mount Area (Unit: mm)

The above graph shows the Power Dissipation of the package based on $T_{j\max}=125^\circ\text{C}$ and $T_{j\max}=150^\circ\text{C}$. Operating the IC in the shaded area in the graph might have an influence it's lifetime.

Operating time must be within the time limit described in the table below, in case of operating in the shaded area.

| Operating Time | Estimated years (Operating 4 hours/day) |
|----------------|--|
| 9,000 hours | 6 years |

● Package Dimensions (SOT-23-5)

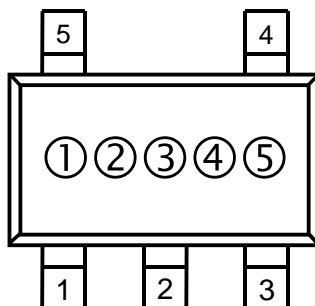


Unit : mm

● Mark Specification (SOT-23-5)

①②③: Product Code ... Refer to [RP104Nxx1x Series Mark Specification Table](#)

④⑤: Lot No. ... Alphanumeric Serial Number



RP104x

NO.EA-150-161026

● RP104Nxx1x Series Mark Specification Table (SOT-23-5)

RP104Nxx1B

| Product Name | ①②③ | V _{SET} |
|--------------|-----|------------------|
| RP104N121B | 90A | 1.2V |
| RP104N131B | 90B | 1.3V |
| RP104N151B | 90C | 1.5V |
| RP104N181B | 90D | 1.8V |
| RP104N191B | 90F | 1.9V |
| RP104N201B | 90G | 2.0V |
| RP104N211B | 90X | 2.1V |
| RP104N221B | 90U | 2.2V |
| RP104N231B | 90V | 2.3V |
| RP104N241B | 90T | 2.4V |
| RP104N251B | 90H | 2.5V |
| RP104N261B | 90J | 2.6V |
| RP104N271B | 90K | 2.7V |
| RP104N281B | 90L | 2.8V |
| RP104N291B | 90N | 2.9V |
| RP104N301B | 90P | 3.0V |
| RP104N311B | 90S | 3.1V |
| RP104N321B | 90Q | 3.2V |
| RP104N331B | 90R | 3.3V |
| RP104N181B5 | 90E | 1.85V |
| RP104N281B5 | 90M | 2.85V |
| RP104N171B | 90Y | 1.7V |

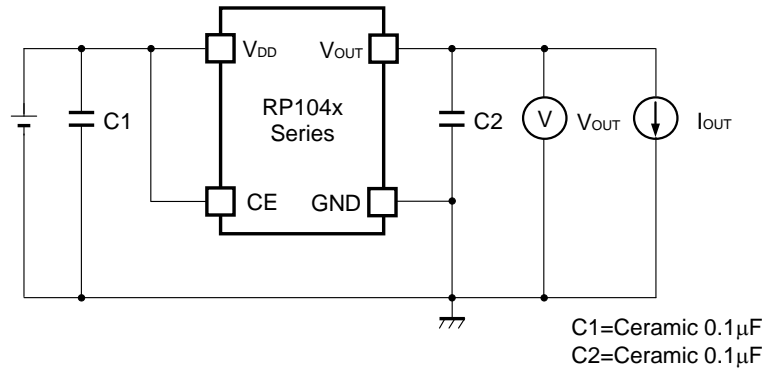
RP104Nxx1C

| Product Name | ①②③ | V _{SET} |
|--------------|-----|------------------|
| RP104N121C | 91A | 1.2V |
| RP104N131C | 91B | 1.3V |
| RP104N151C | 91C | 1.5V |
| RP104N181C | 91D | 1.8V |
| RP104N191C | 91F | 1.9V |
| RP104N201C | 91G | 2.0V |
| RP104N211C | 91X | 2.1V |
| RP104N221C | 91U | 2.2V |
| RP104N231C | 91V | 2.3V |
| RP104N241C | 91T | 2.4V |
| RP104N251C | 91H | 2.5V |
| RP104N261C | 91J | 2.6V |
| RP104N271C | 91K | 2.7V |
| RP104N281C | 91L | 2.8V |
| RP104N291C | 91N | 2.9V |
| RP104N301C | 91P | 3.0V |
| RP104N311C | 91S | 3.1V |
| RP104N321C | 91Q | 3.2V |
| RP104N331C | 91R | 3.3V |
| RP104N181C5 | 91E | 1.85V |
| RP104N281C5 | 91M | 2.85V |
| RP104N171C | 91Y | 1.7V |

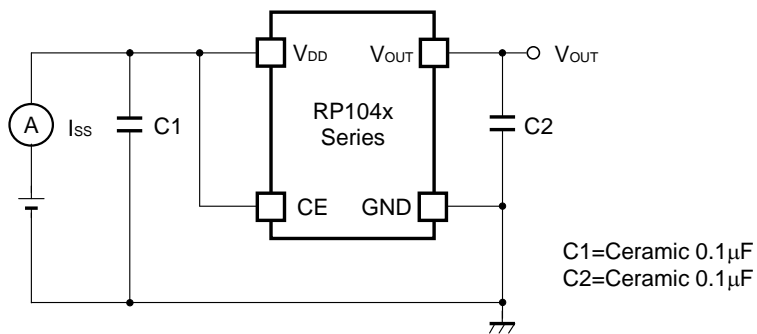
RP104Nxx1D

| Product Name | ①②③ | V _{SET} |
|--------------|-----|------------------|
| RP104N121D | 92A | 1.2V |
| RP104N131D | 92B | 1.3V |
| RP104N151D | 92C | 1.5V |
| RP104N181D | 92D | 1.8V |
| RP104N191D | 92F | 1.9V |
| RP104N201D | 92G | 2.0V |
| RP104N211D | 92X | 2.1V |
| RP104N221D | 92U | 2.2V |
| RP104N231D | 92V | 2.3V |
| RP104N241D | 92T | 2.4V |
| RP104N251D | 92H | 2.5V |
| RP104N261D | 92J | 2.6V |
| RP104N271D | 92K | 2.7V |
| RP104N281D | 92L | 2.8V |
| RP104N291D | 92N | 2.9V |
| RP104N301D | 92P | 3.0V |
| RP104N311D | 92S | 3.1V |
| RP104N321D | 92Q | 3.2V |
| RP104N331D | 92R | 3.3V |
| RP104N181D5 | 92E | 1.85V |
| RP104N281D5 | 92M | 2.85V |
| RP104N171D | 92Y | 1.7V |

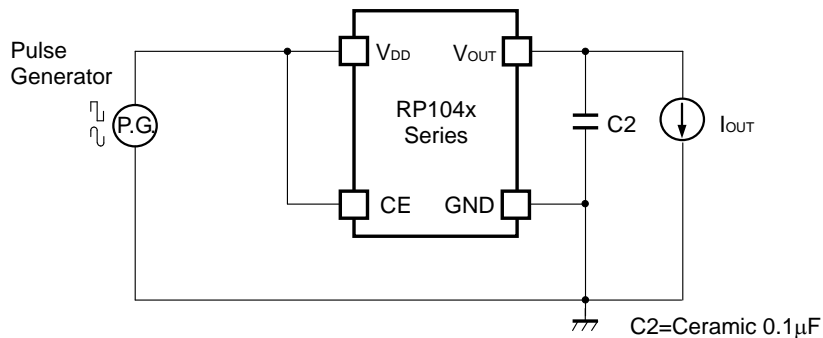
TEST CIRCUITS



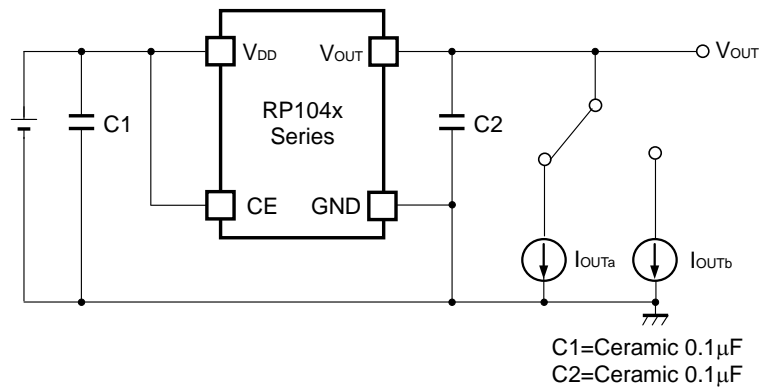
Basic Test Circuit



Test Circuit for Supply Current



Test Circuit for Ripple Rejection



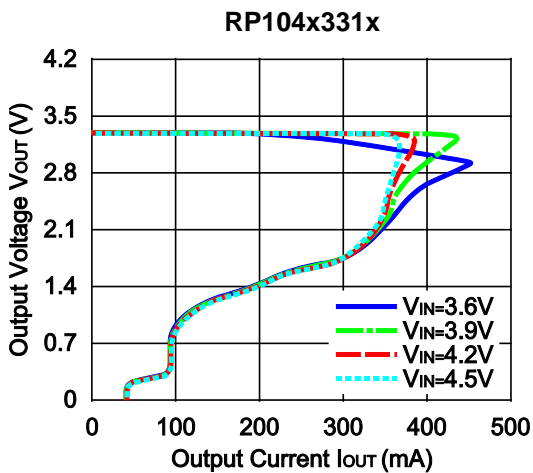
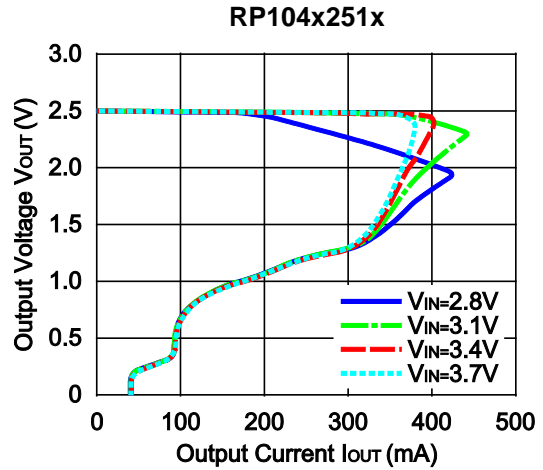
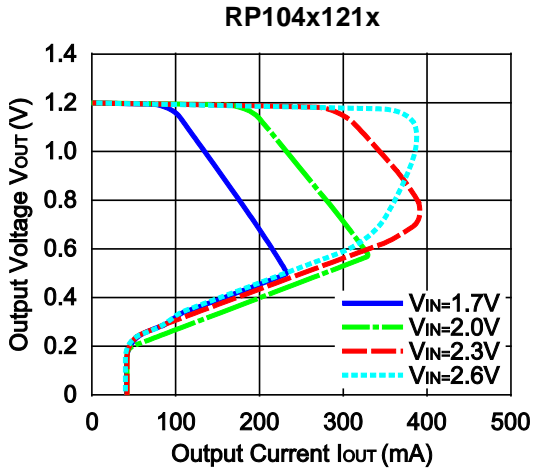
Test Circuit for Load Transient Response

RP104x

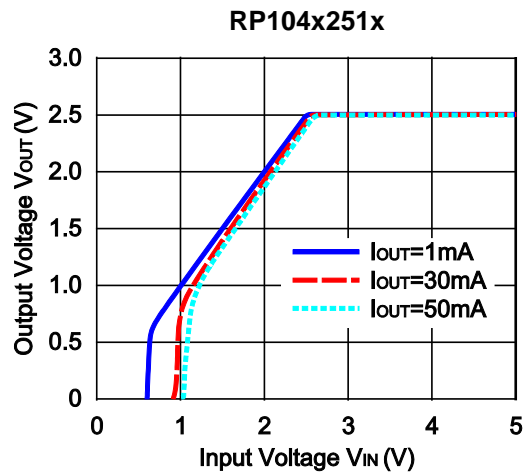
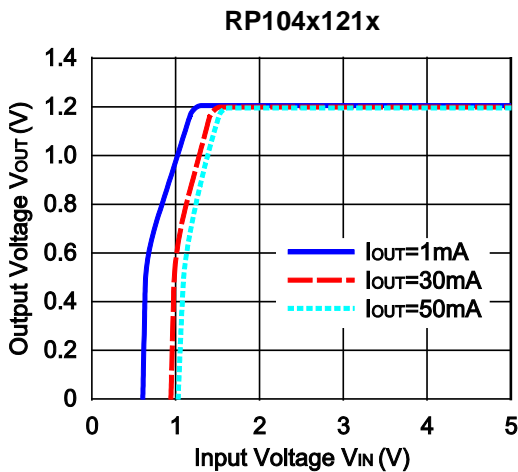
NO.EA-150-161026

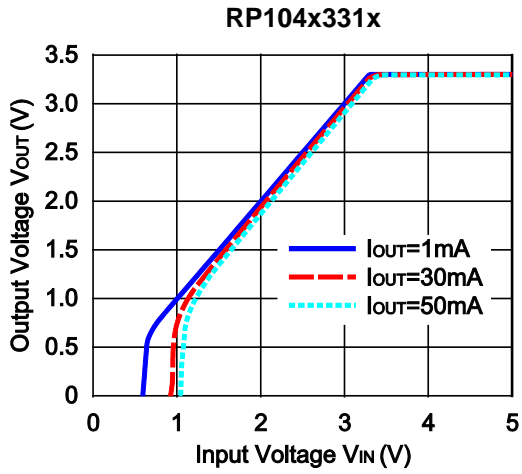
TYPICAL CHARACTERISTICS

1) Output Voltage vs. Output Current (C1=Ceramic 0.1μF, C2=Ceramic 0.1μF, T_{opt}=25°C)

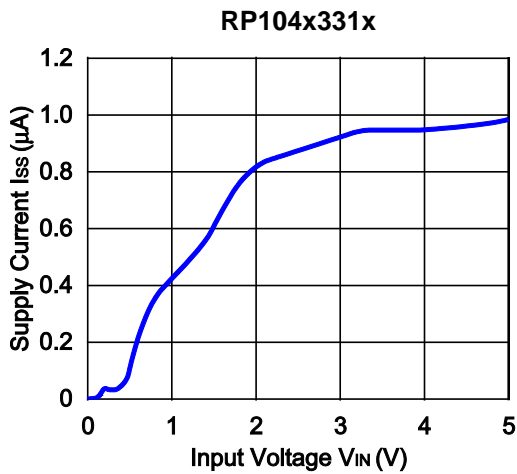
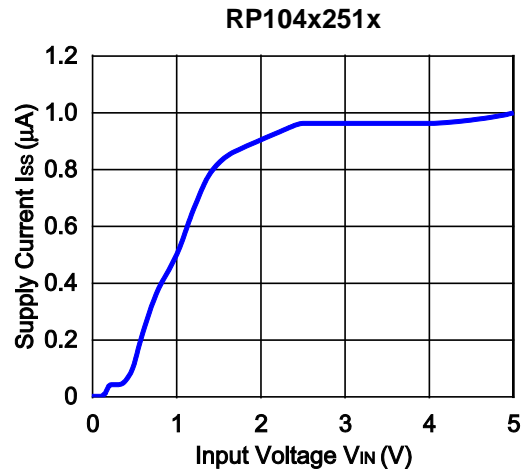
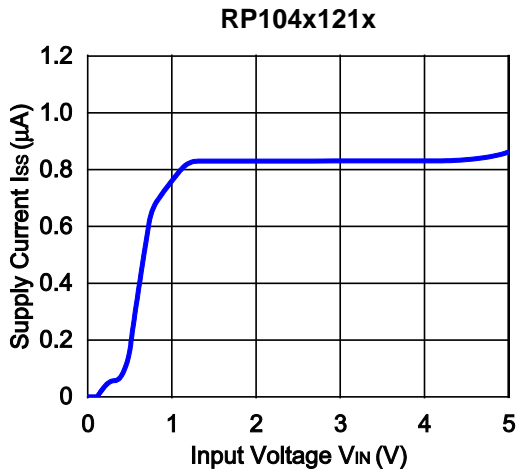


2) Output Voltage vs. Input Voltage (C1=Ceramic 0.1μF, C2=Ceramic 0.1μF, T_{opt}=25°C)





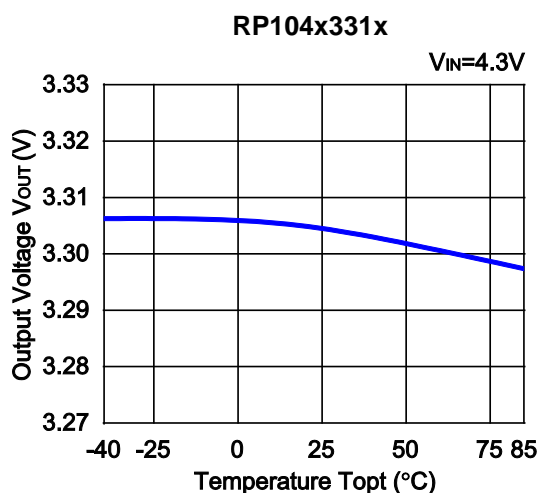
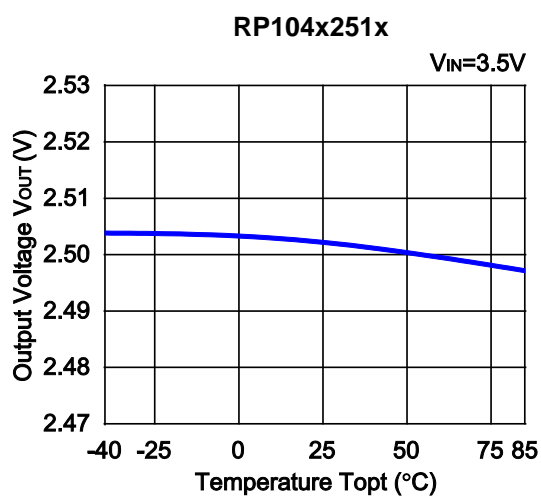
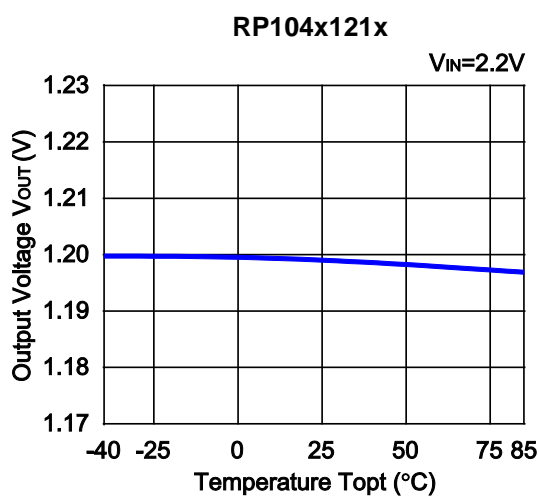
3) Supply Current vs. Input Voltage (C1=Ceramic 0.1 μ F, C2=Ceramic 0.1 μ F, $T_{opt}=25^{\circ}C$)



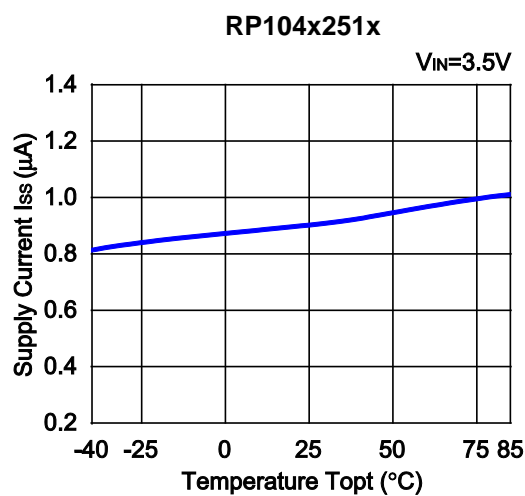
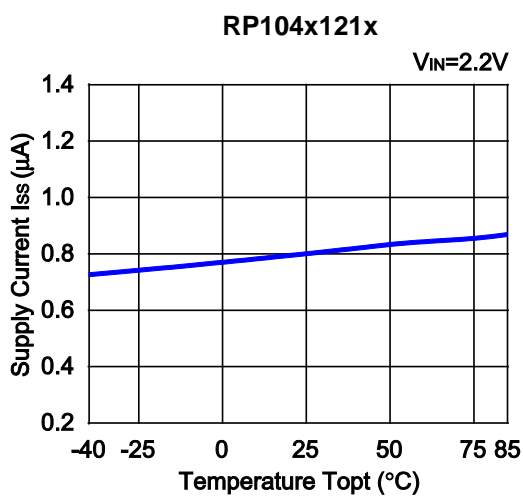
RP104x

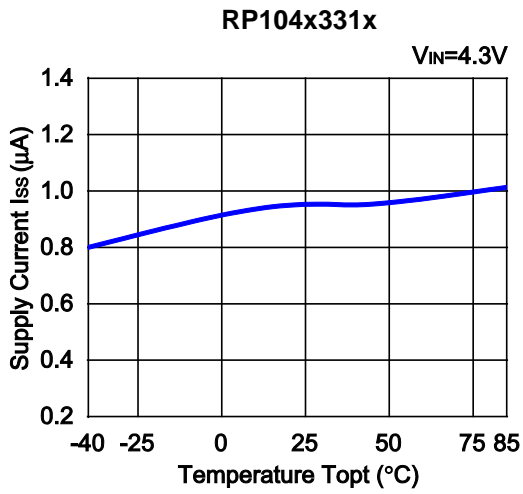
NO.EA-150-161026

4) Output Voltage vs. Temperature (C1=Ceramic 0.1 μ F, C2=Ceramic 0.1 μ F, I_{OUT}=1mA)

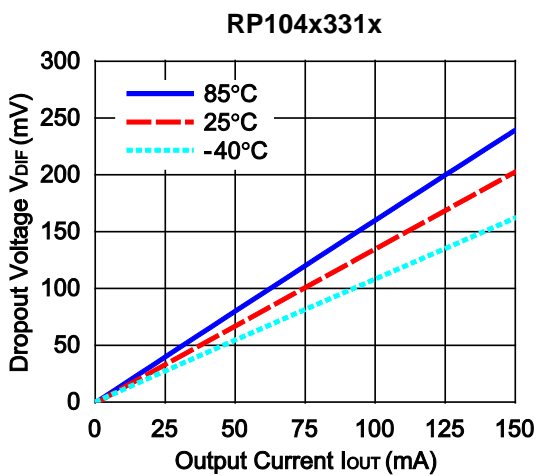
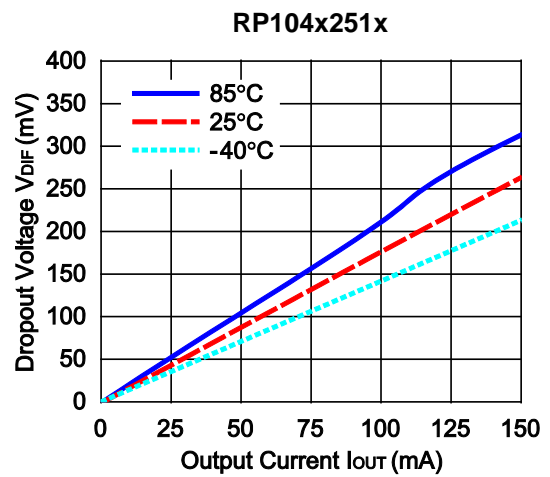
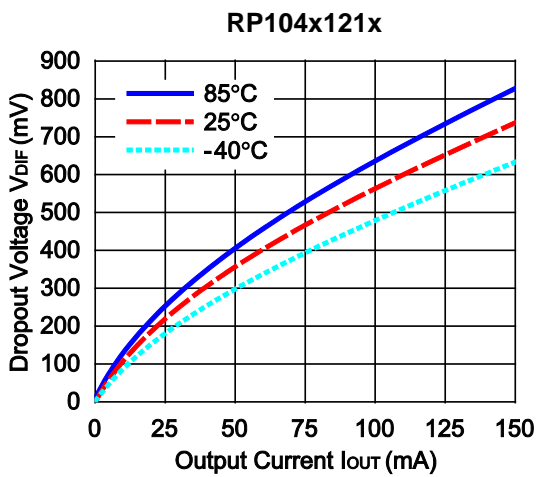


5) Supply Current vs. Temperature (C1=Ceramic 0.1 μ F, C2=Ceramic 0.1 μ F)





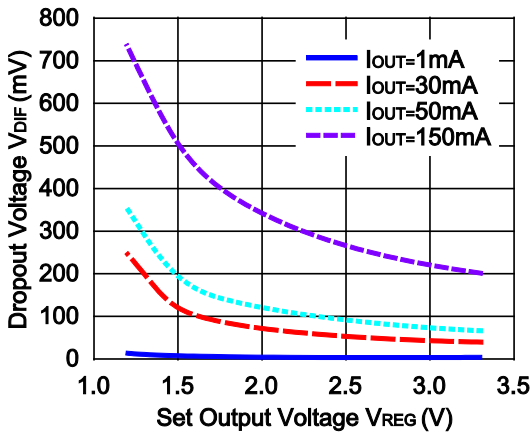
6) Dropout Voltage vs. Output Current ($C1=Ceramic\ 0.1\mu F$, $C2=Ceramic\ 0.1\mu F$, $T_{opt}=25^{\circ}C$)



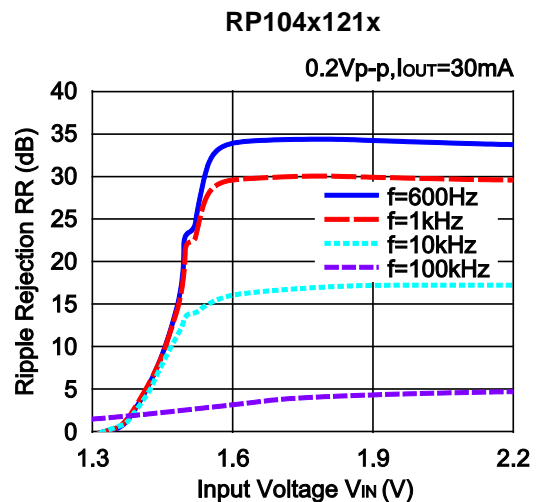
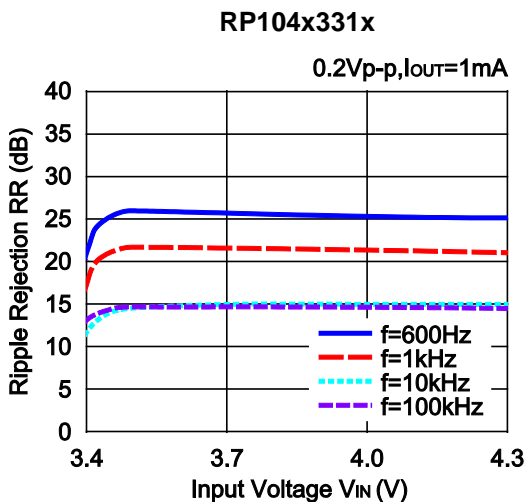
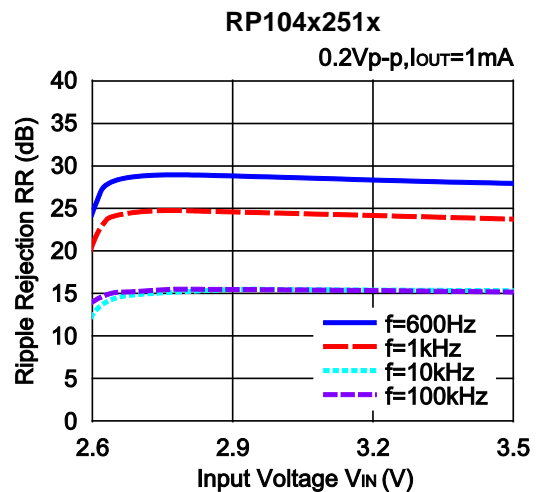
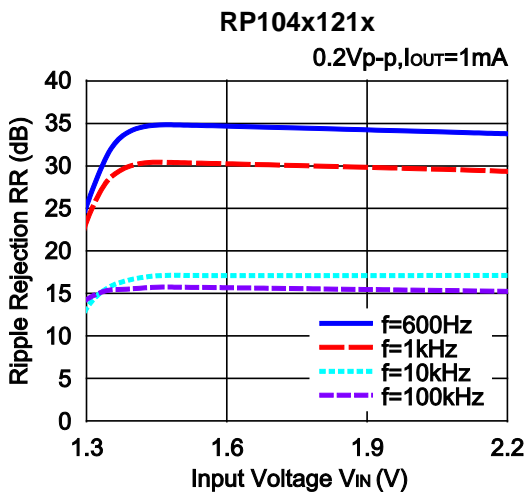
RP104x

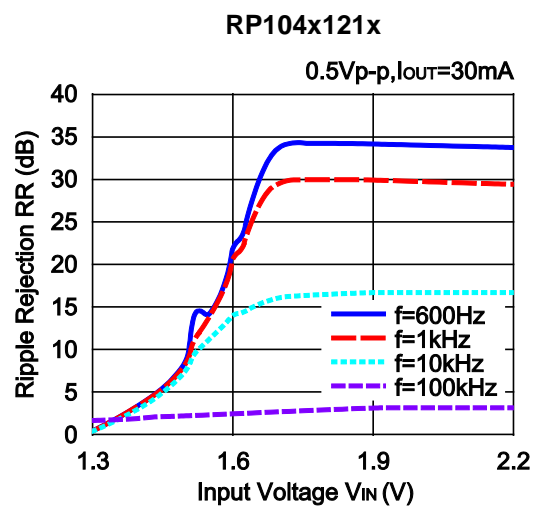
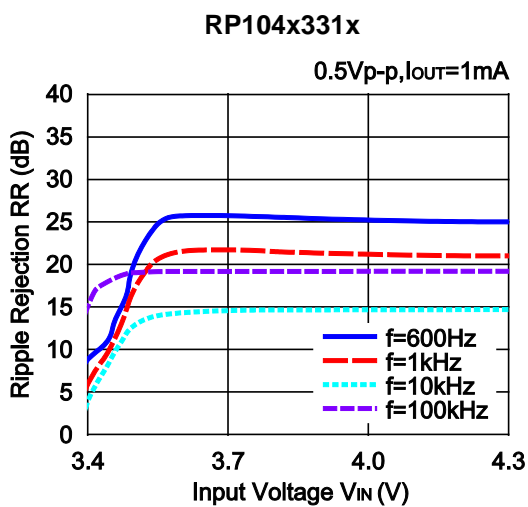
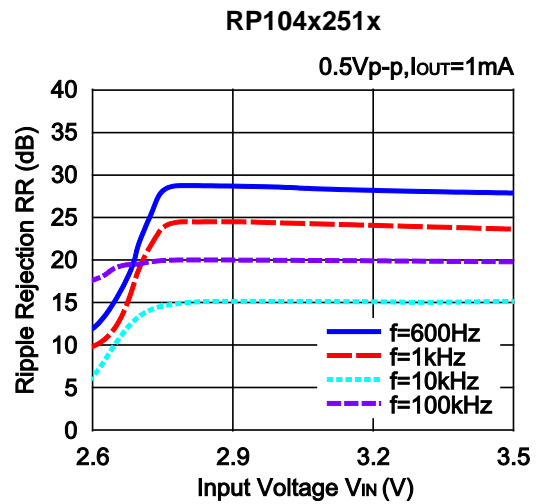
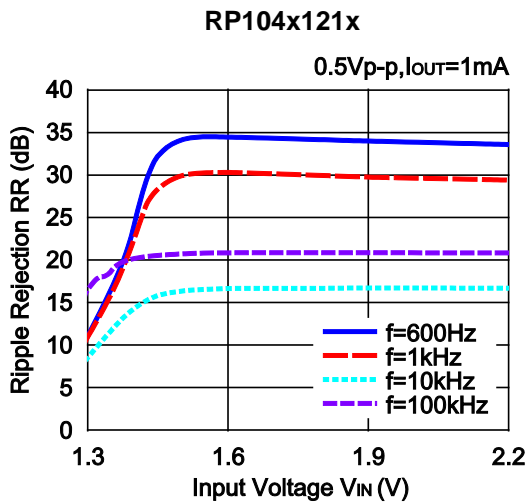
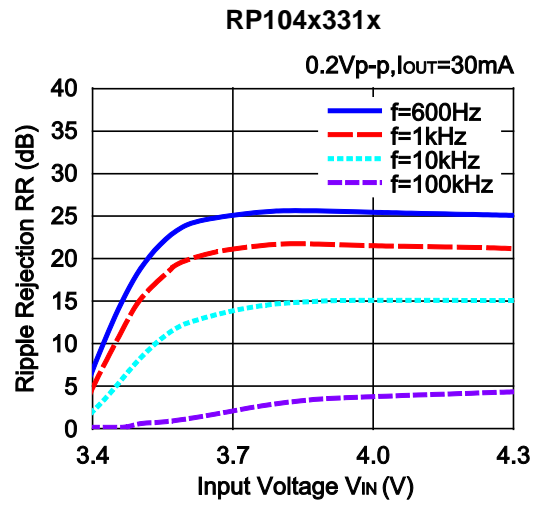
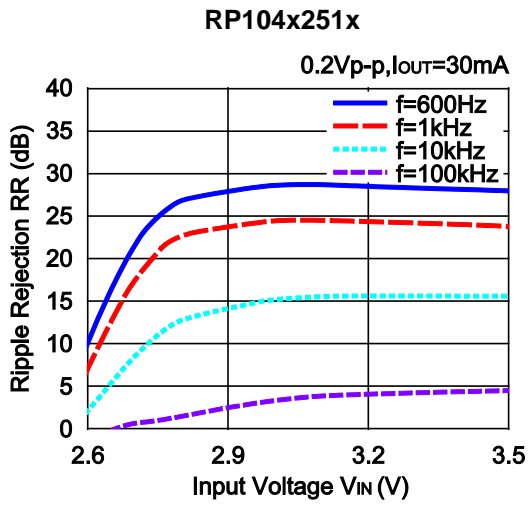
NO.EA-150-161026

7) Dropout Voltage vs. Set Output Voltage (C1=Ceramic 0.1μF, C2=Ceramic 0.1μF, T_{opt}=25°C)



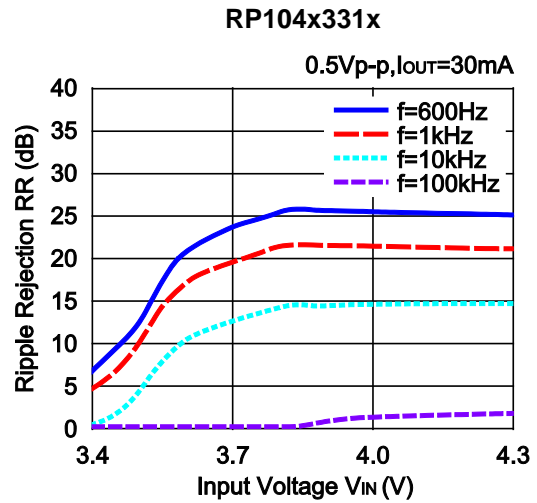
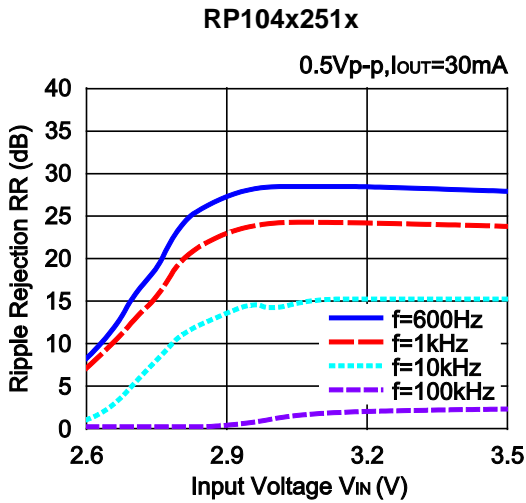
8) Ripple Rejection vs. Input Bias Voltage (C1=none, C2=Ceramic 0.1μF, T_{opt}=25°C)



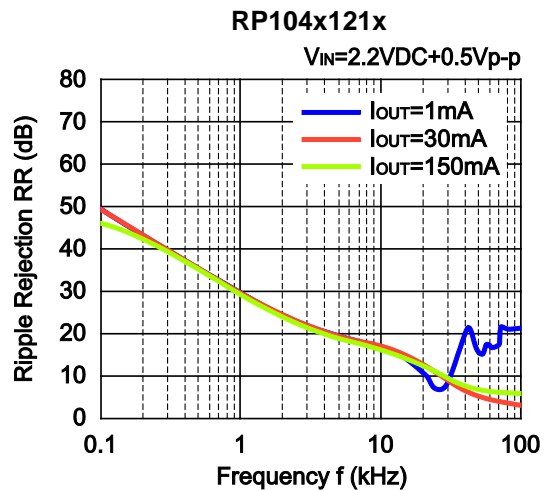
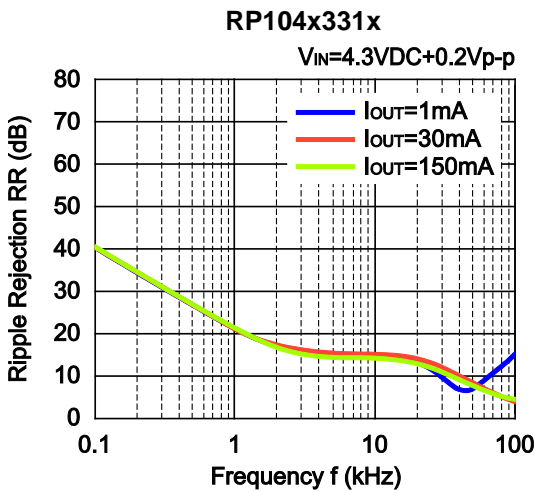
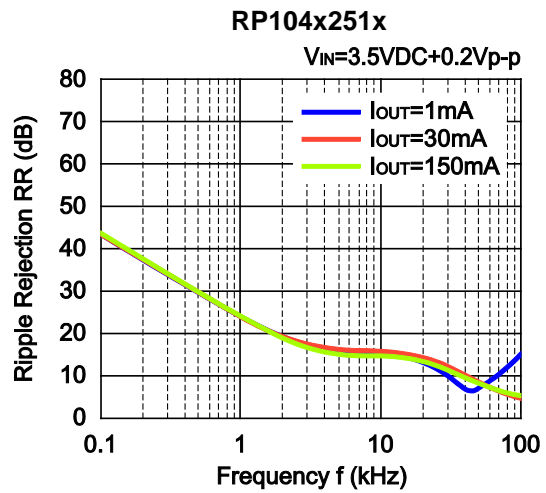
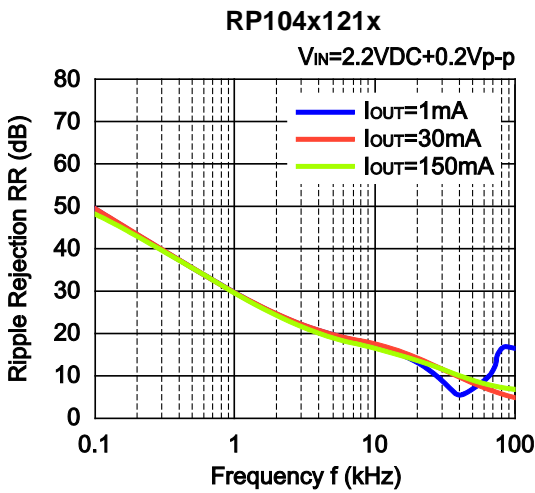


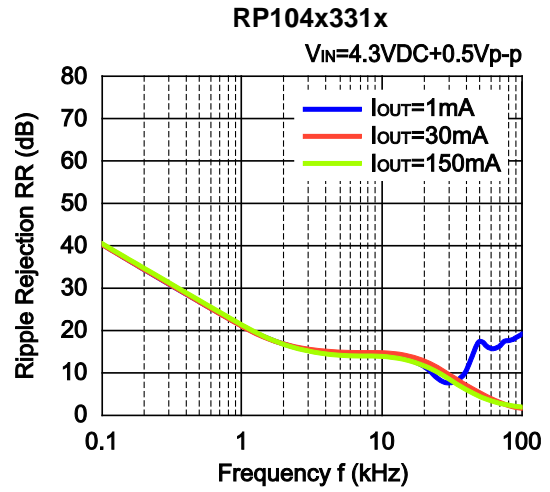
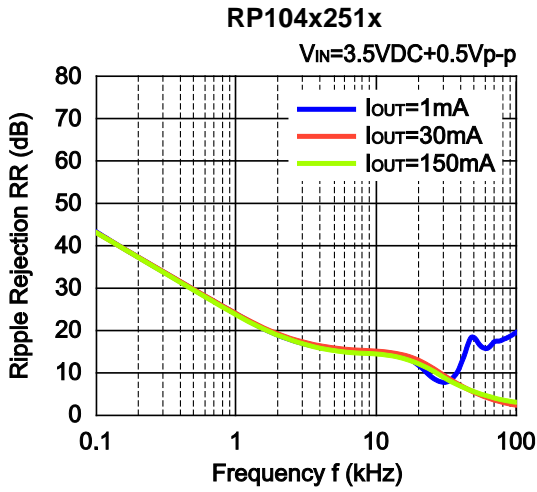
RP104x

NO.EA-150-161026

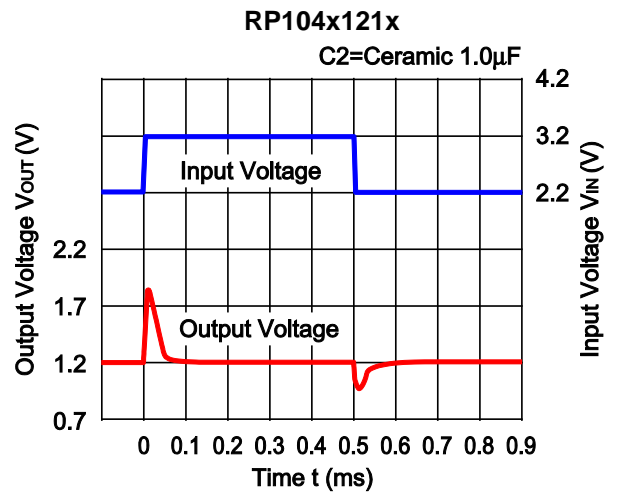
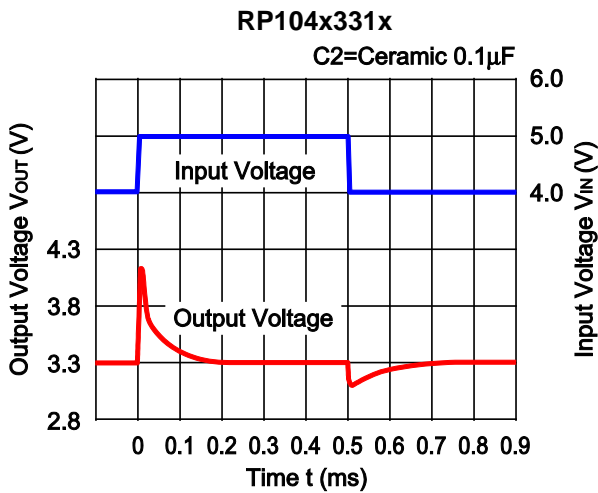
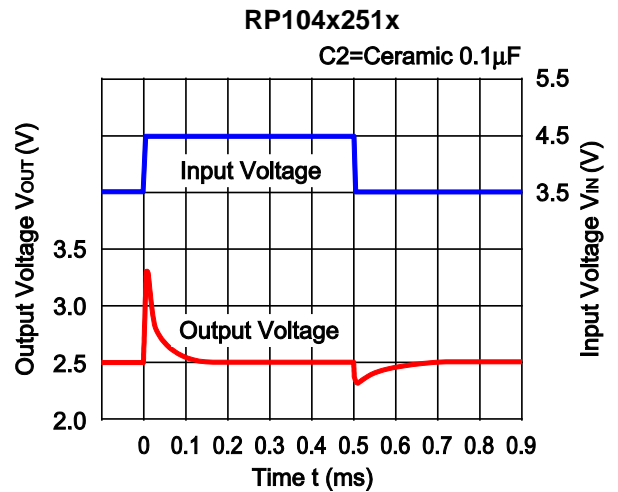
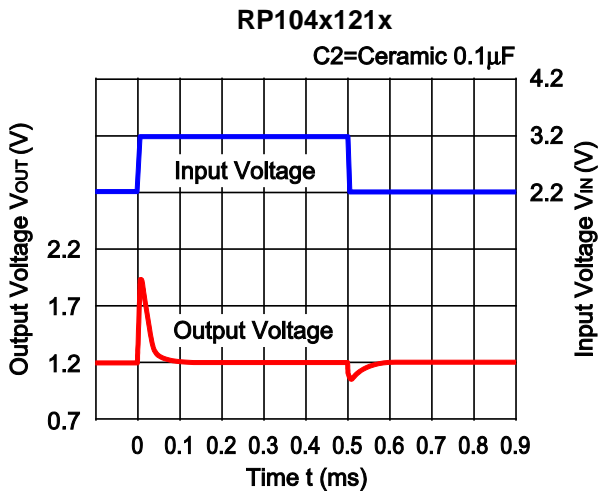


9) Ripple Rejection vs. Frequency (C1=none, C2=Ceramic 0.1μF, T_{opt}=25°C)



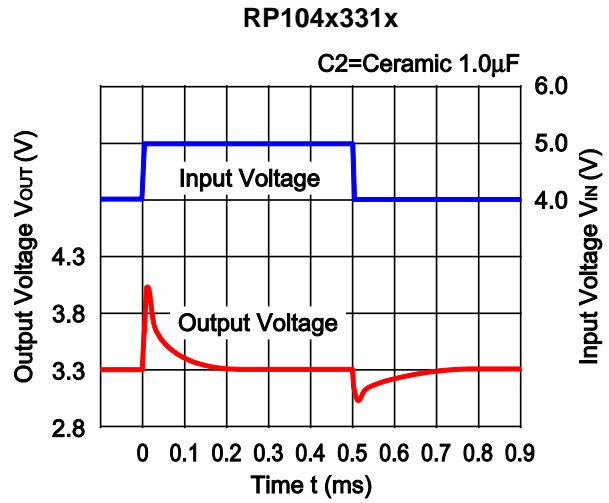
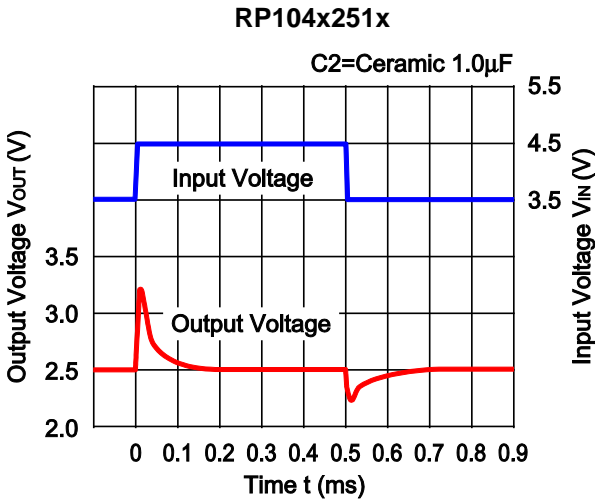


10) Input Transient Response ($C1=none$, $I_{OUT}=30mA$, $T_{opt}=25^{\circ}C$)

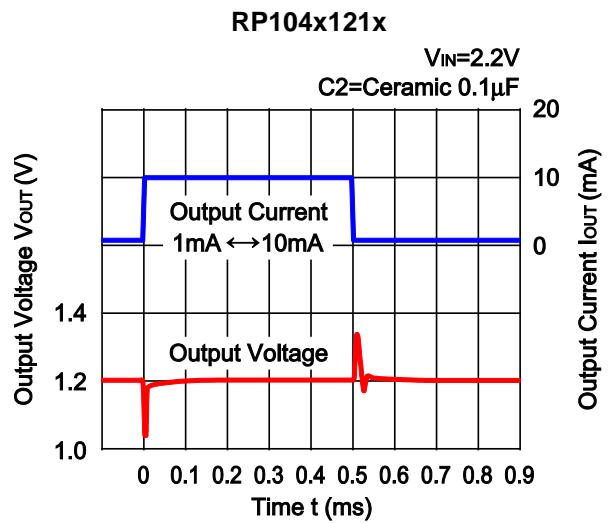
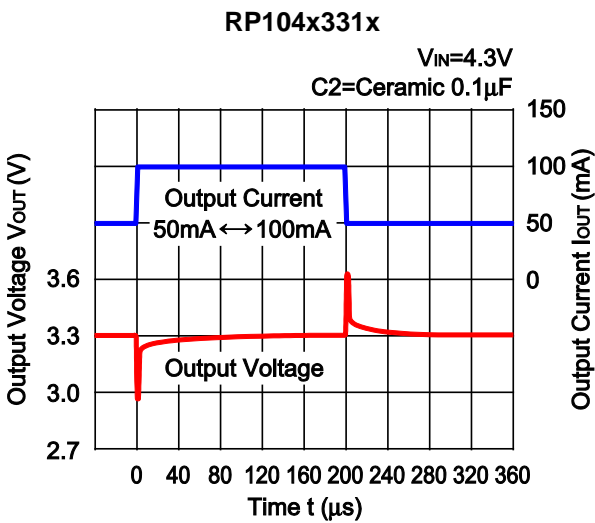
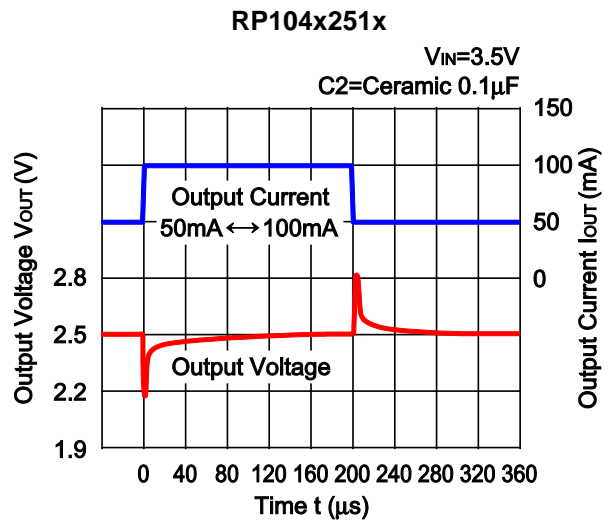
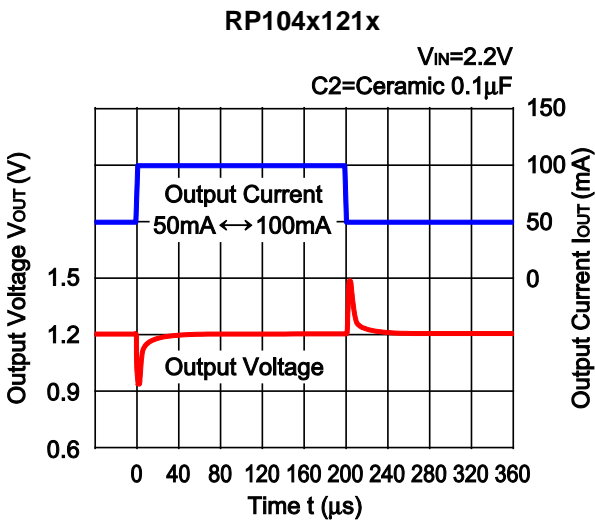


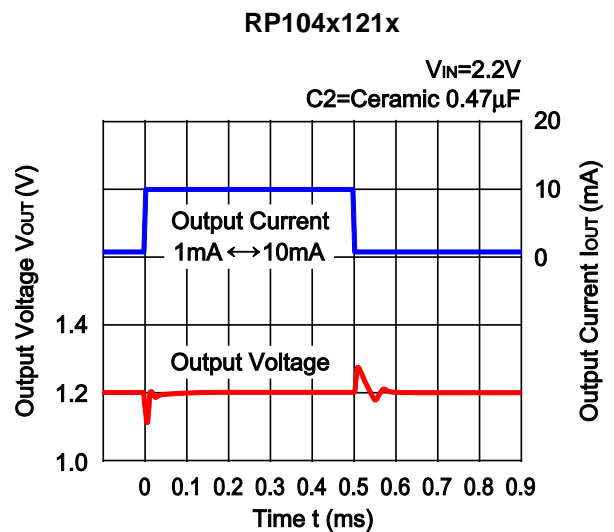
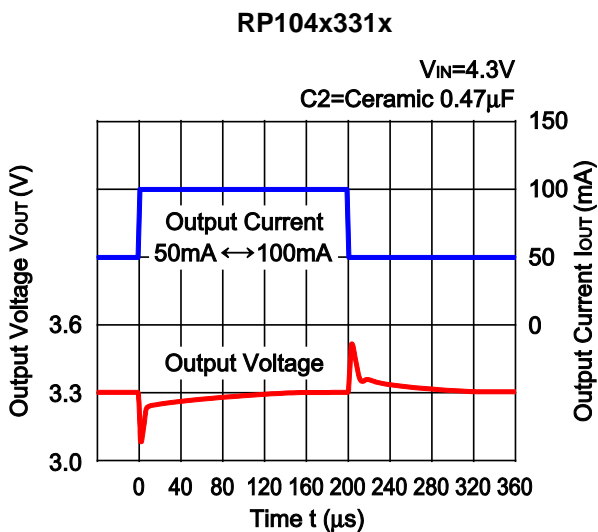
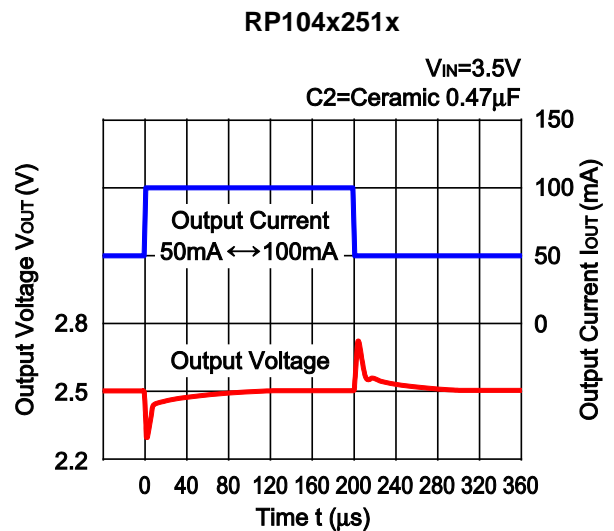
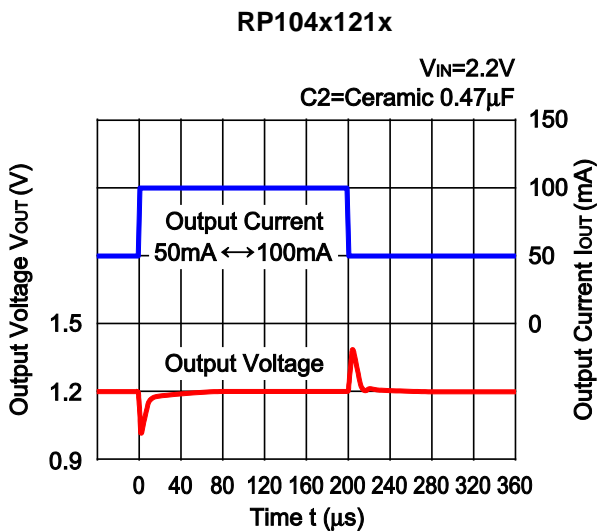
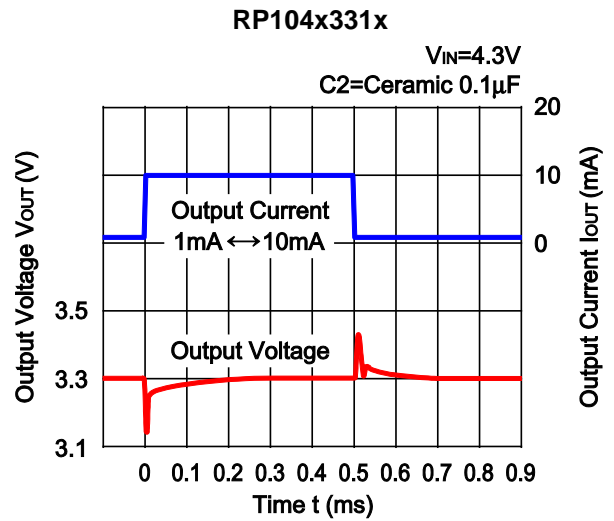
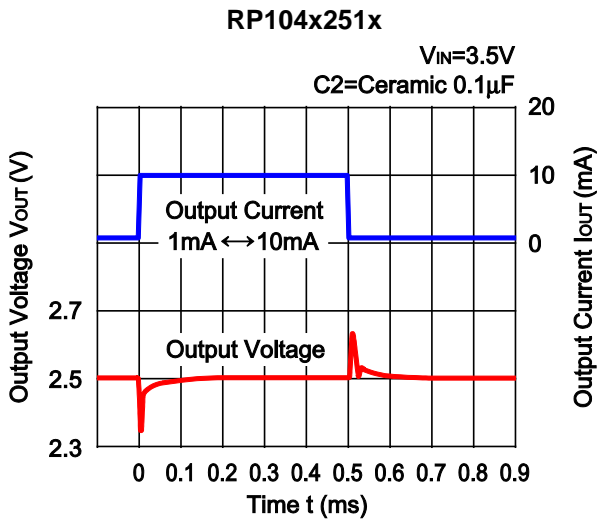
RP104x

NO.EA-150-161026



11) Load Transient Response (C1=Ceramic 0.1 μ F, T_{opt} =25 $^{\circ}$ C)

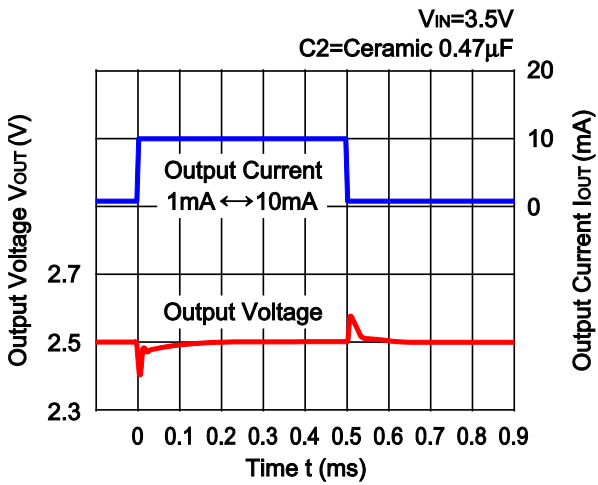




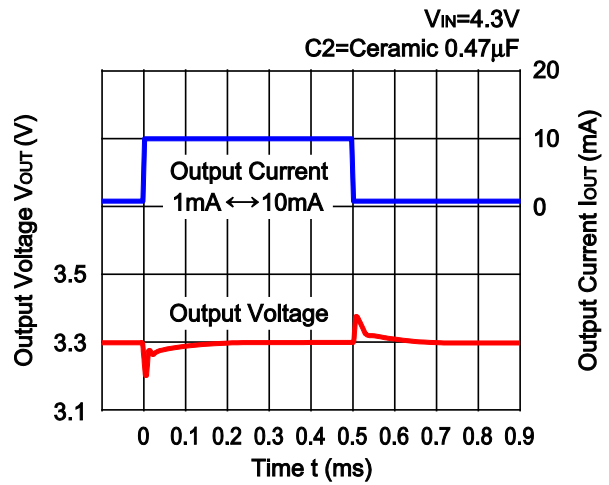
RP104x

NO.EA-150-161026

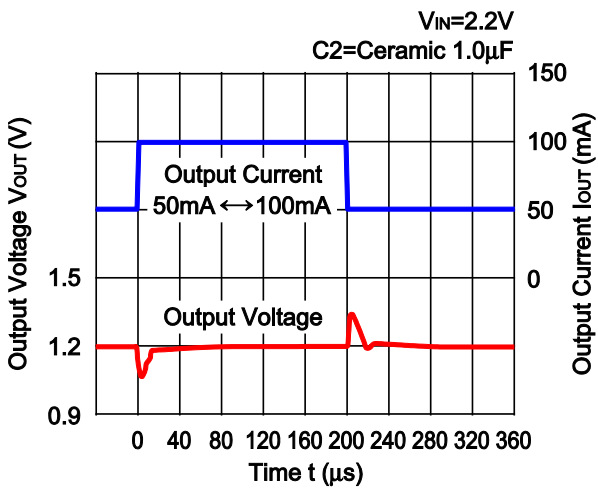
RP104x251x



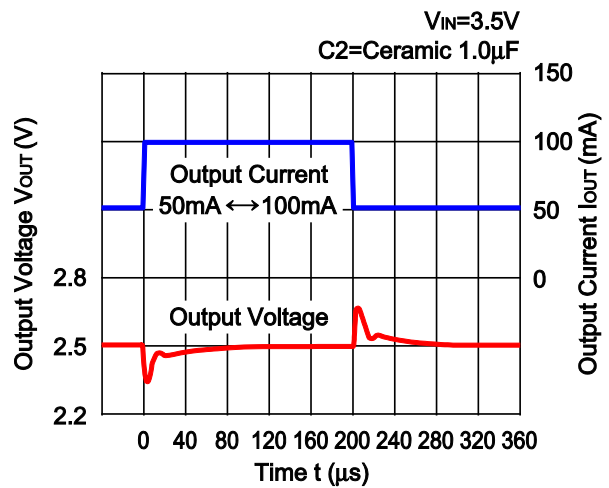
RP104x331x



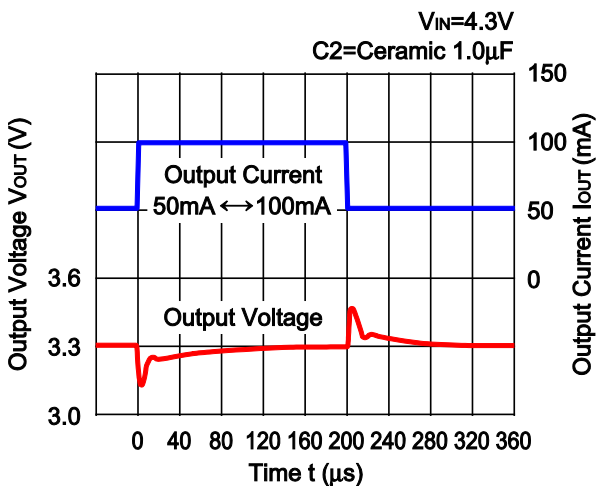
RP104x121x



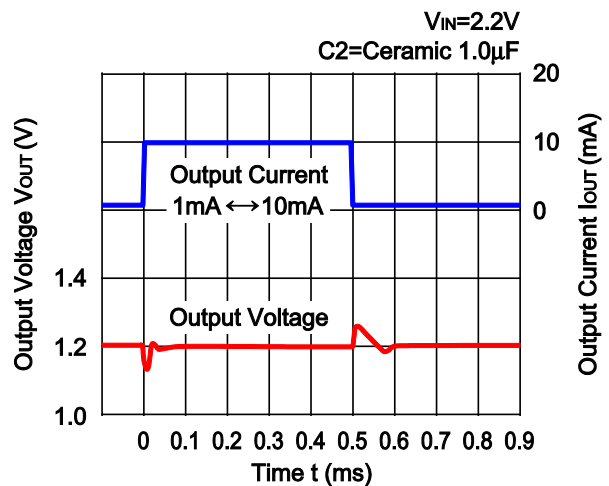
RP104x251x

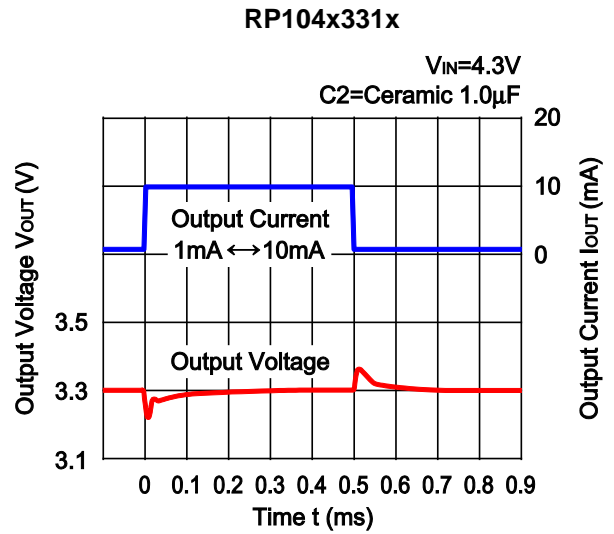
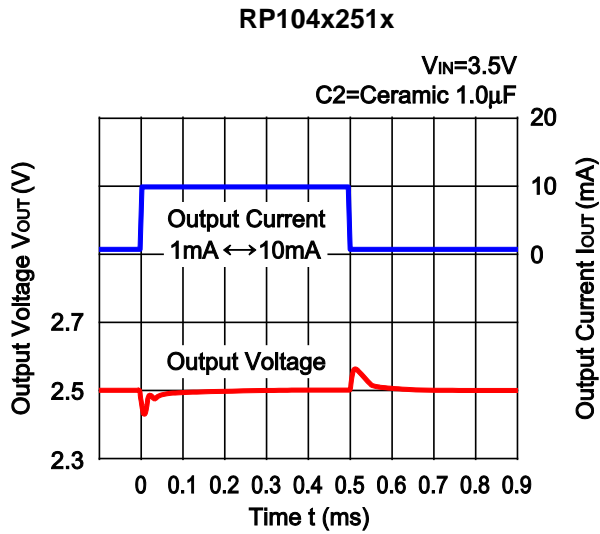


RP104x331x

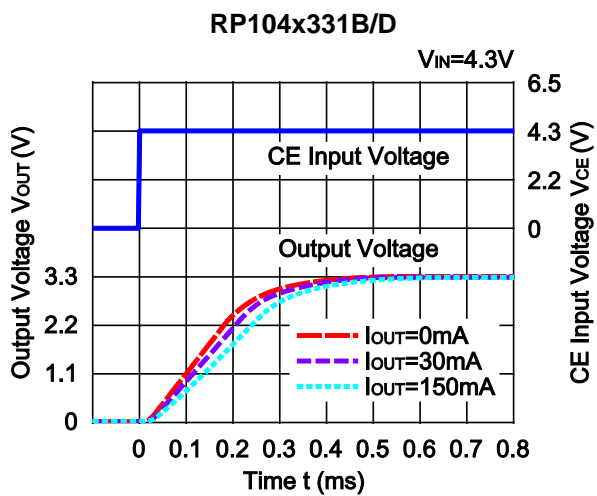
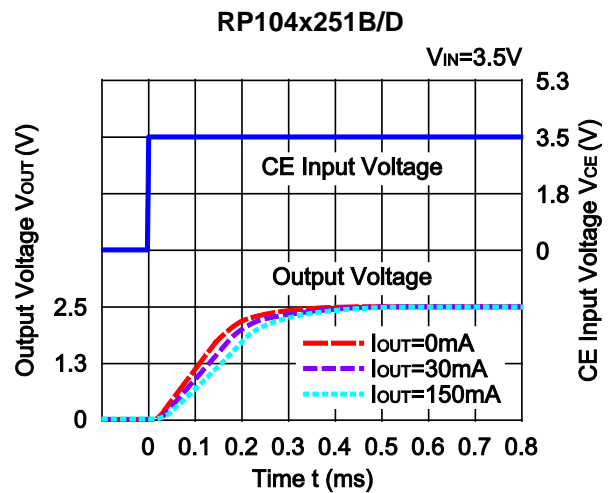
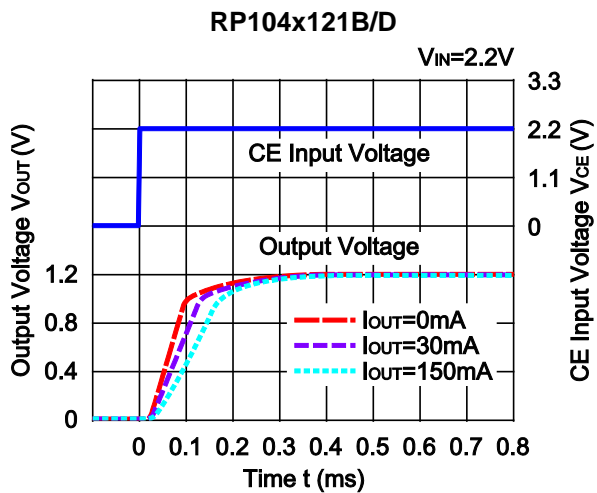


RP104x121x





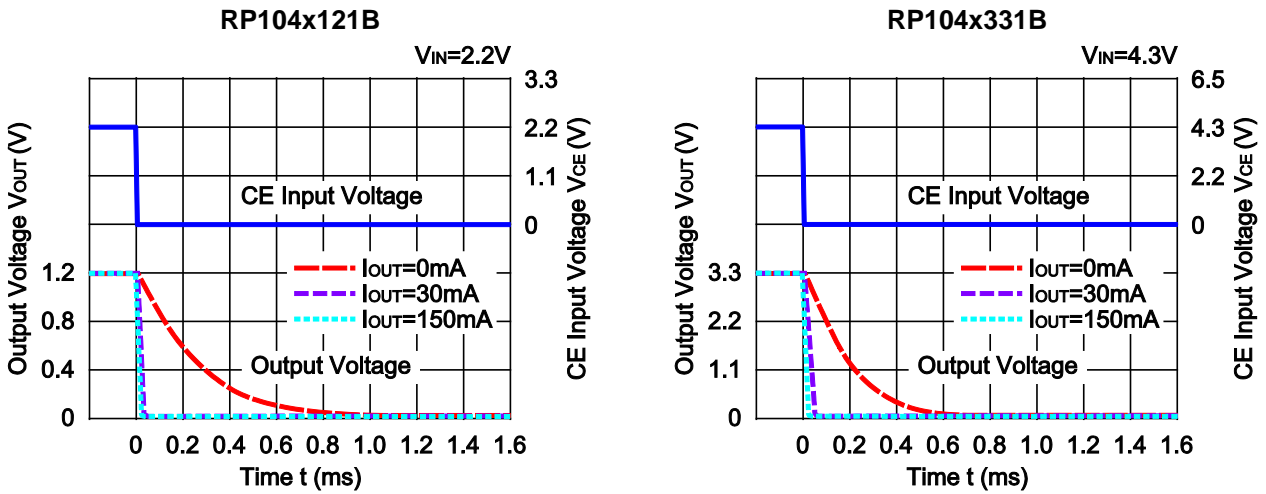
12) Turn On Speed with CE pin ($C1=Ceramic\ 0.1\mu F$, $C2=Ceramic\ 0.1\mu F$, $T_{opt}=25^{\circ}C$)



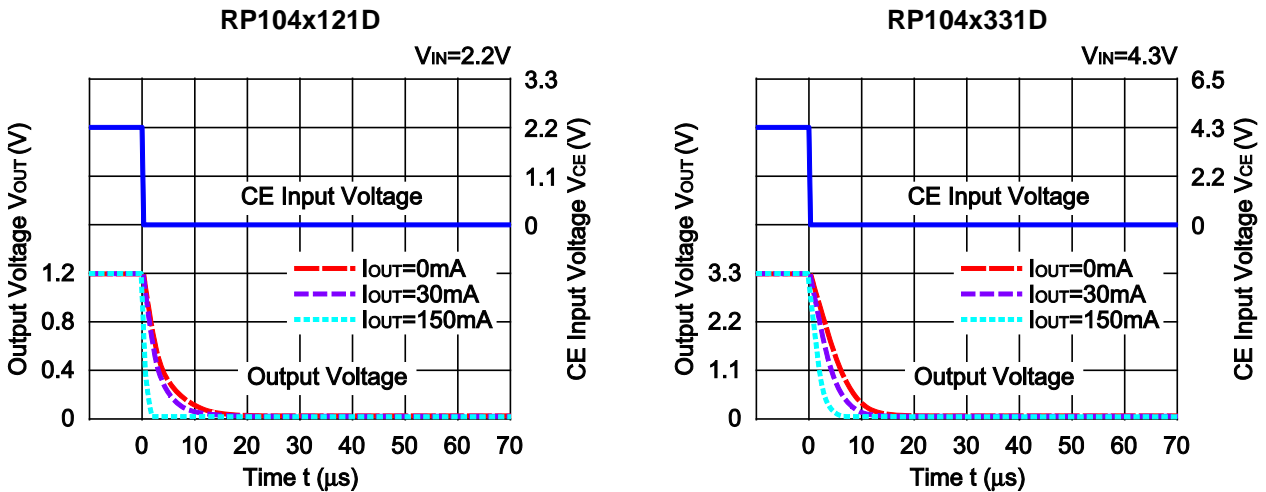
RP104x

NO.EA-150-161026

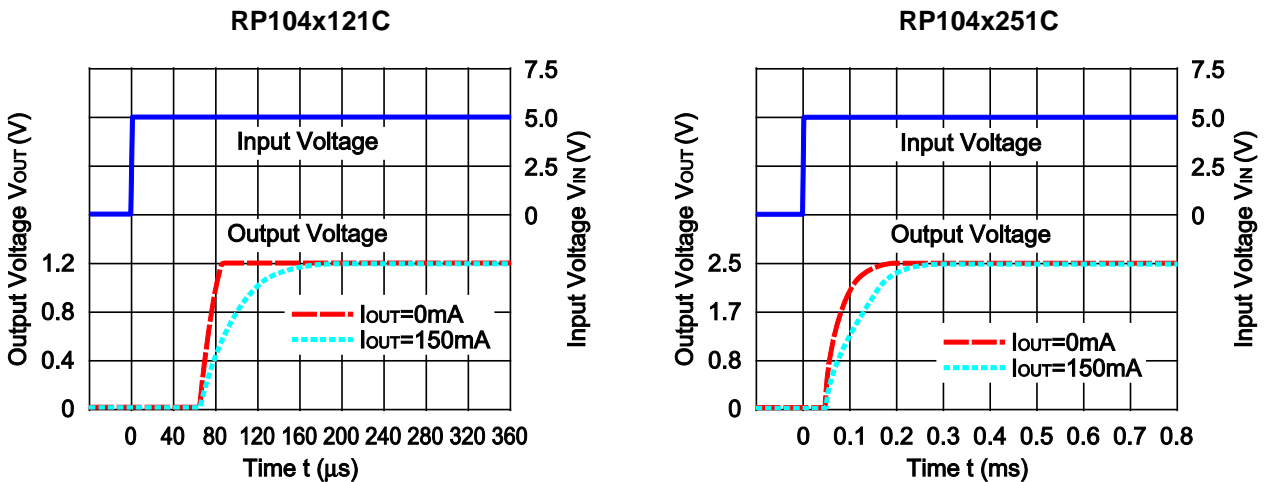
13) Turn Off Speed with CE pin (B Version) (C1=Ceramic 0.1μF, C2=Ceramic 0.1μF, T_{opt}=25°C)



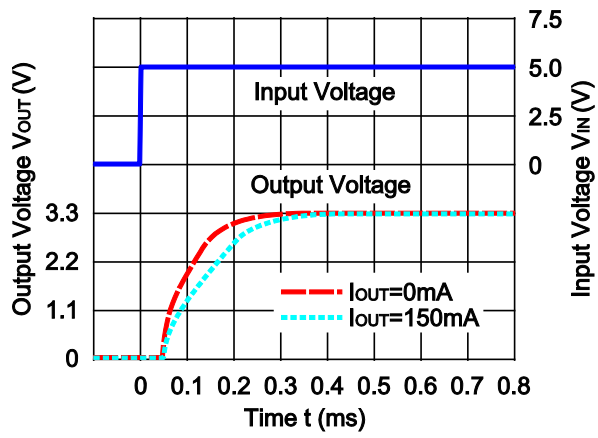
14) Turn Off Speed with CE pin (D Version) (C1=Ceramic 0.1μF, C2=Ceramic 0.1μF, T_{opt}=25°C)



15) Turn On Speed of C Version (C1=Ceramic 0.1μF, C2=Ceramic 0.1μF, V_{IN}=5.0V, T_{opt}=25°C)



RP104x331C



RP104x

NO.EA-150-161026

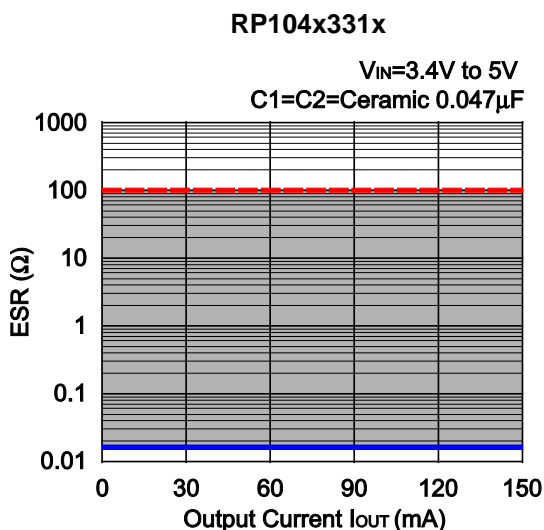
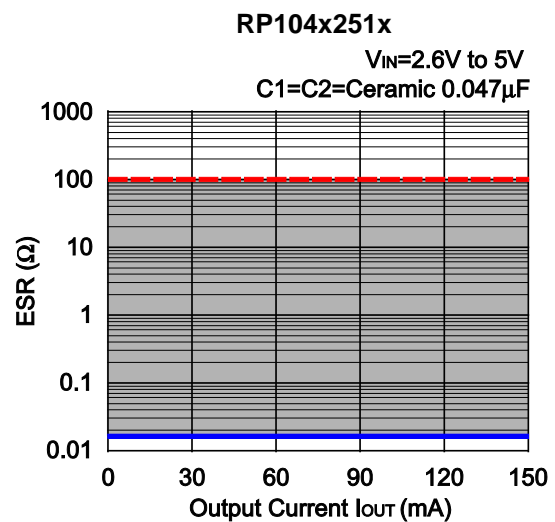
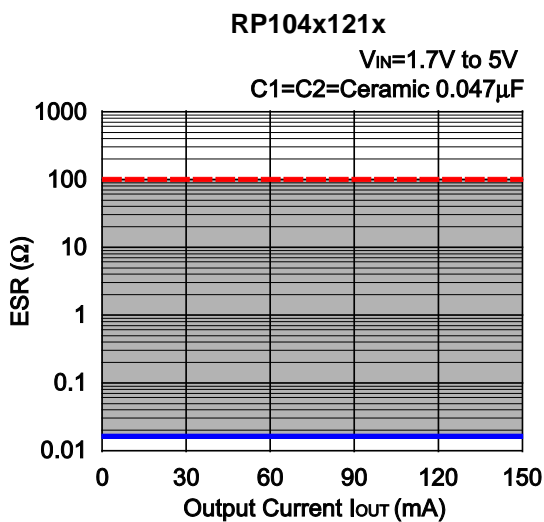
ESR vs. Output Current

Ceramic type output capacitor is recommended for this series; however, the other output capacitors with low ESR also can be used. The relations between I_{OUT} (Output Current) and ESR of an output capacitor are shown below. The conditions when the white noise level is under $40\mu\text{V}$ (Avg.) are marked as the hatched area in the graph.

Measurement conditions

Frequency Band : 10Hz to 2MHz

Temperature : -40°C to 85°C





1. The products and the product specifications described in this document are subject to change or discontinuation of production without notice for reasons such as improvement. Therefore, before deciding to use the products, please refer to our sales representatives for the latest information thereon.
2. The materials in this document may not be copied or otherwise reproduced in whole or in part without prior written consent of our company.
3. Please be sure to take any necessary formalities under relevant laws or regulations before exporting or otherwise taking out of your country the products or the technical information described herein.
4. The technical information described in this document shows typical characteristics of and example application circuits for the products. The release of such information is not to be construed as a warranty of or a grant of license under our company's or any third party's intellectual property rights or any other rights.
5. The products listed in this document are intended and designed for use as general electronic components in standard applications (office equipment, telecommunication equipment, measuring instruments, consumer electronic products, amusement equipment etc.). Those customers intending to use a product in an application requiring extreme quality and reliability, for example, in a highly specific application where the failure or misoperation of the product could result in human injury or death (aircraft, spacevehicle, nuclear reactor control system, traffic control system, automotive and transportation equipment, combustion equipment, safety devices, life support system etc.) should first contact us.
6. We are making our continuous effort to improve the quality and reliability of our products, but semiconductor products are likely to fail with certain probability. In order to prevent any injury to persons or damages to property resulting from such failure, customers should be careful enough to incorporate safety measures in their design, such as redundancy feature, fire containment feature and fail-safe feature. We do not assume any liability or responsibility for any loss or damage arising from misuse or inappropriate use of the products.
7. Anti-radiation design is not implemented in the products described in this document.
8. The X-ray exposure can influence functions and characteristics of the products. Confirm the product functions and characteristics in the evaluation stage.
9. WLCSP products should be used in light shielded environments. The light exposure can influence functions and characteristics of the products under operation or storage.
10. There can be variation in the marking when different AOI (Automated Optical Inspection) equipment is used. In the case of recognizing the marking characteristic with AOI, please contact our sales or our distributor before attempting to use AOI.
11. Please contact our sales representatives should you have any questions or comments concerning the products or the technical information.



Nisshinbo Micro Devices Inc.

Official website

<https://www.nisshinbo-microdevices.co.jp/en/>

Purchase information

<https://www.nisshinbo-microdevices.co.jp/en/buy/>

