
150 mA 36 V Input LDO Regulator for Automotive Application

NO.EC-258-141222

OUTLINE

The R1516x Series are CMOS-based high-voltage resistant and low supply current voltage regulator ICs that provide the minimum 150mA of output voltage. Internally, the R1516x Series consists of a Foldback Protection Circuit, and a Thermal Shutdown Circuit in addition to the basic regulator circuits. The operating temperature range is between -40°C to 105°C , and the maximum input voltage is 36V. All these features allow this device to become an ideal power source for car accessories and ECUs.

The R1516x Series are available in fixed output voltage options between 1.8V and 6.2V in 0.1V steps. The output voltage accuracy is $\pm 1\%$.

The R1516x Series are available in two types of packages: SOT-89-5 that is for high-density mounting and HSOP-6J that is for ultra high wattage.

FEATURES

- Input Voltage Range (Maximum Rating) 4V to 36V (50V)
- Supply Current Typ. 29 μA
- Standby Current Typ. 0.1 μA
- Output Voltage Temperature Coefficient Typ. $\pm 100\text{ppm}/^{\circ}\text{C}$
- Output Current Min. 150mA ($V_{\text{OUT}}=5.0\text{V}$, $V_{\text{IN}}=8.0\text{V}$)
- Line Regulation Typ. 0.1%/V
- Output Voltage Accuracy $\pm 1\%$ ($V_{\text{OUT}} \geq 3.2\text{V}$, $T_a=25^{\circ}\text{C}$)
- Packages SOT-89-5, HSOP-6J
- Output Voltage Range 1.8V to 6.2V (0.1V steps)
- Built-in Foldback Protection Circuit 50mA (Current at short mode)
- Built-in Thermal Shutdown Circuit Stops at 160°C
- Operating Temperature -40 to 105°C

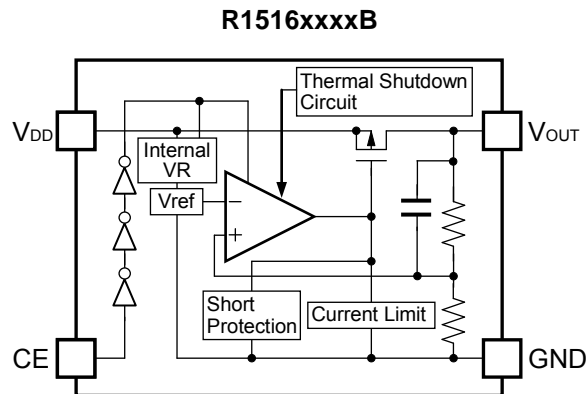
APPLICATIONS

- Power source for accessories such as car audios, car navigation systems, and ETC systems
- Power source for ECUs such as EV inverter and battery charge control unit

R1516x

NO.EC-258-141222

BLOCK DIAGRAMS



SELECTION GUIDE

The output voltage and the package for the ICs can be selected at the user's request.

Product Name	Package	Quantity per Reel	Pb Free	Halogen Free
R1516HxxxB-T1-#E	SOT-89-5	1,000pcs	Yes	Yes
R1516SxxxB-E2-#E	HSOP-6J	1,000pcs	Yes	Yes

xxx : The output voltage can be designated in the range of 1.8V(018) to 6.2V(062) in 0.1V steps.

: Specify Automotive Class Code

	Operating Temperature Range	Guaranteed Specs Temperature Range	Screening
A	-40°C to 105°C	25°C	High Temperature
J	-40°C to 105°C	25°C	High and Low Temperature

PIN DESCRIPTIONS



• SOT-89-5

Pin No.	Symbol	Description
1	V_{OUT}	Output Pin
2	GND*	Ground Pin
3	CE	Chip Enable Pin ("H" Active)
4	GND*	Ground Pin
5	V_{DD}	Input Pin

*) The GND pin must be wired together when it is mounted on board.

• HSOP-6J

Pin No.	Symbol	Description
1	V_{OUT}	Output Pin
2	GND*	Ground Pin
3	CE	Chip Enable Pin ("H" Active)
4	GND*	Ground Pin
5	GND*	Ground Pin
6	V_{DD}	Input Pin

*) The GND pin must be wired together when it is mounted on board.

R1516x

NO.EC-258-141222

ABSOLUTE MAXIMUM RATINGS

Symbol	Item		Rating	Unit	
V _{IN}	Input Voltage		-0.3~50	V	
V _{IN}	Peak Input Voltage*1		60	V	
V _{CE}	Input Voltage (CE Pin)		-0.3~V _{IN} +0.3 ≤ 50	V	
V _{OUT}	Output Voltage		-0.3~V _{IN} +0.3 ≤ 50	V	
I _{OUT}	Output Current		250	mA	
P _D	Power Dissipation *2	SOT-89-5	Standard Land Pattern	1120	mW
			High Wattage Land Pattern	1620	
		HSOP-6J	Standard Land Pattern	2100	
			Ultra High Wattage Land Pattern	3400	
T _j	Junction Temperature		-40 to 150	°C	
T _{stg}	Storage Temperature Range		-55 to 150	°C	

*1) Duration time: 200ms

*2) Refer to PACKAGE INFORMATION for detailed information.

ABSOLUTE MAXIMUM RATINGS

Electronic and mechanical stress momentarily exceeded absolute maximum ratings may cause the permanent damages and may degrade the life time and safety for both device and system using the device in the field. The functional operation at or over these absolute maximum ratings is not assured.

RECOMMENDED OPERATING RATINGS

Symbol	Item	Rating	Unit
V _{IN}	Input Voltage	4 to 36	V
T _a	Operating Temperature Range	-40 to 105	°C

RECOMMENDED OPERATING RATINGS

All of electronic equipment should be designed that the mounted semiconductor devices operate within the recommended operating ratings. The semiconductor devices cannot operate normally over the recommended operating ratings, even if when they are used over such ratings by momentary electronic noise or surge. And the semiconductor devices may receive serious damage when they continue to operate over the recommended operating ratings.

ELECTRICAL CHARACTERISTICS

The specifications surrounded by are guaranteed by Design Engineering at $-40^{\circ}\text{C} \leq T_a \leq 105^{\circ}\text{C}$.

R1516xxxxB

($T_a=25^{\circ}\text{C}$)

Symbol	Item	Conditions	Min.	Typ.	Max.	Unit	
V_{IN}	Input Voltage		4		36	V	
I_{SS}	Supply Current	$V_{IN}=V_{OUT}+3.0\text{V}$, $I_{OUT}=0\text{mA}$		29	45	μA	
$I_{standby}$	Standby Current	$V_{IN}=36\text{V}$, $V_{CE}=0\text{V}$		0.1	1.0	μA	
V_{OUT}	Output Voltage	$V_{IN}=V_{OUT}+3.0\text{V}$ $I_{OUT}=1\text{mA}$	$V_{OUT} \geq 3.2\text{V}$	$\times 0.99$ x0.98	$\times 1.01$ x1.02	V	
		$V_{IN}=V_{OUT}+3.0\text{V}$ $I_{OUT}=1\text{mA}$	$V_{OUT} < 3.2\text{V}$	$\times 0.985$ x0.975	$\times 1.015$ x1.025	V	
I_{LIM}	Output Current Limit	Please refer to Output Current Limit Specification Table.				mA	
$\frac{\Delta V_{OUT}}{\Delta I_{OUT}}$	Load Regulation	Please refer to Load Regulation Specification Table.				mV	
$\frac{\Delta V_{OUT}}{\Delta V_{IN}}$	Line Regulation	$I_{OUT}=1\text{mA}$	$V_{OUT}+1.5\text{V} \leq V_{IN} \leq 36\text{V}$, ($V_{OUT} \geq 2.5\text{V}$)		0.1	0.7	%
			$4\text{V} \leq V_{IN} \leq 36\text{V}$, ($V_{OUT} < 2.5\text{V}$)				
V_{DIF}	Dropout Voltage	Please refer to Dropout Voltage Specification Table.				V	
$\frac{\Delta V_{OUT}}{\Delta T_a}$	Output Voltage Temperature Coefficient	$V_{IN}=V_{OUT}+3.0\text{V}$, $I_{OUT}=1\text{mA}$ $-40^{\circ}\text{C} \leq T_a \leq 105^{\circ}\text{C}$		± 100		ppm/ $^{\circ}\text{C}$	
I_{SC}	Short Current Limit	$V_{OUT}=0\text{V}$		50		mA	
V_{CEH}	CE Input Voltage "H"		1.3		V_{IN}	V	
V_{CEL}	CE Input Voltage "L"		0		0.35	V	
T_{TSD}	Thermal Shutdown Temperature	Junction Temperature	150	160		$^{\circ}\text{C}$	
T_{TSR}	Thermal Shutdown Released Temperature	Junction Temperature		125		$^{\circ}\text{C}$	

For the other specifications, all test items are done under the pulse load condition ($T_j \approx T_a = 25^{\circ}\text{C}$)

Output Current Limit Specification Table ($T_a=25^{\circ}\text{C}$)

Output Voltage V_{OUT} (V)	Output Current Limit I_{LIM} (mA)	
	Conditions	Min.
$1.8 \leq V_{OUT} < 3.0$	$V_{IN}=V_{OUT}+5.0\text{V}$	150
$3.0 \leq V_{OUT} < 5.0$	$V_{IN}=V_{OUT}+4.0\text{V}$	
$5.0 \leq V_{OUT} \leq 6.2$	$V_{IN}=V_{OUT}+3.0\text{V}$	

Load Regulation Specification Table ($T_a=25^{\circ}\text{C}$)

Output Voltage V_{OUT} (V)	Load Regulation (mV)		
	Conditions	Typ.	Max.
$1.8 \leq V_{OUT} \leq 3.0$	$V_{IN}=V_{OUT}+3.0\text{V}$ $1\text{mA} \leq I_{OUT} \leq 40\text{mA}$	30 ($V_{OUT}=3.0\text{V}$)	70
$3.0 < V_{OUT} \leq 5.0$		40 ($V_{OUT}=5.0\text{V}$)	105
$5.0 < V_{OUT} \leq 6.2$		50 ($V_{OUT}=6.2\text{V}$)	125

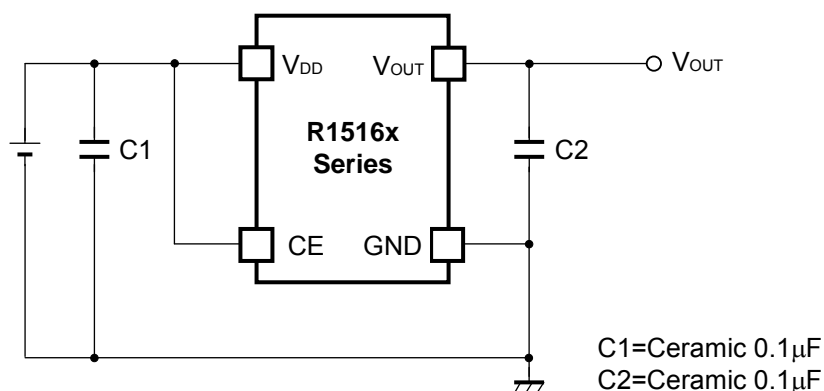
R1516xNO.EC-258-141222

The specifications surrounded by are guaranteed by Design Engineering at $-40^{\circ}\text{C} \leq T_a \leq 105^{\circ}\text{C}$

Dropout Voltage Specification Table ($T_a=25^{\circ}\text{C}$)

Output Voltage V_{OUT} (V)	Dropout Voltage V_{DIF} (V)	
	Conditions	Max.
$V_{\text{OUT}}=1.8$	$I_{\text{OUT}}=20\text{mA}$	2.30
$V_{\text{OUT}}=1.9$		2.20
$V_{\text{OUT}}=2.0$		2.10
$V_{\text{OUT}}=2.1$		2.00
$V_{\text{OUT}}=2.2$		1.90
$V_{\text{OUT}}=2.3$		1.80
$V_{\text{OUT}}=2.4$		1.70
$V_{\text{OUT}}=2.5$		1.60
$V_{\text{OUT}}=2.6$		1.50
$V_{\text{OUT}}=2.7$		1.40
$V_{\text{OUT}}=2.8$		1.30
$V_{\text{OUT}}=2.9$		1.20
$V_{\text{OUT}}=3.0$		1.10
$V_{\text{OUT}}=3.1$		1.06
$V_{\text{OUT}}=3.2$		1.02
$V_{\text{OUT}}=3.3$		0.98
$V_{\text{OUT}}=3.4$		0.94
$V_{\text{OUT}}=3.5$		0.90
$V_{\text{OUT}}=3.6$		0.86
$V_{\text{OUT}}=3.7$		0.82
$V_{\text{OUT}}=3.8$		0.78
$V_{\text{OUT}}=3.9$		0.74
$V_{\text{OUT}}=4.0$		0.70
$V_{\text{OUT}}=4.1$		0.69
$V_{\text{OUT}}=4.2$		0.68
$V_{\text{OUT}}=4.3$		0.67
$V_{\text{OUT}}=4.4$		0.66
$V_{\text{OUT}}=4.5$		0.65
$V_{\text{OUT}}=4.6$		0.64
$V_{\text{OUT}}=4.7$		0.63
$V_{\text{OUT}}=4.8$	0.62	
$V_{\text{OUT}}=4.9$	0.61	
$5.0 \leq V_{\text{OUT}} \leq 6.2$	0.60	

TYPICAL APPLICATION



TECHNICAL NOTES

When using the R1516x Series, please consider the following points.

Phase Compensation

The R1516x Series provide the constant-voltage without using C1 and C2 capacitors. However, if the input line is too long, C1 should be connected. To minimize the input voltage fluctuation and the transient output voltage fluctuation that is caused by the load fluctuation, C2 size should be increased. Please refer to the Basic Test Circuit below when connecting a 0.1 μ F to 20 μ F C1 capacitor from V_{DD} to GND, and also connecting a 0.1 μ F to 20 μ F C2 capacitor from V_{OUT} to GND. The C1 and C2 capacitors, V_{DD}, GND and V_{OUT} should be connected as close as possible to each other.

GND Wiring on Boards

For SOT-89-5 package, please connect the No.2 pin and the No.4 pin to the ground plane on the board.

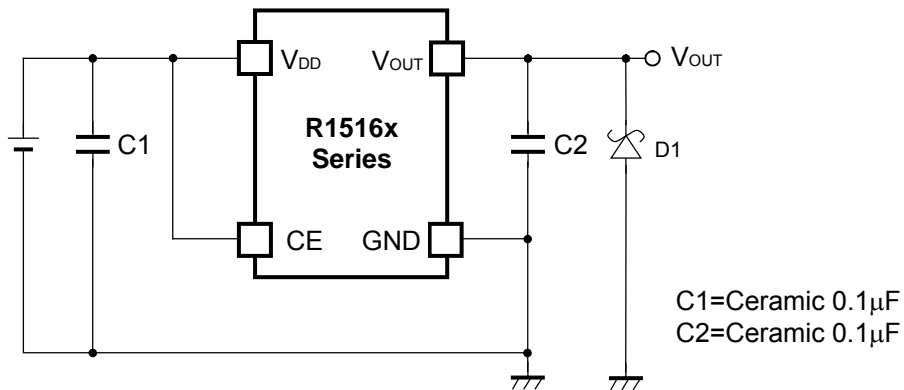
For HSOP-6J package, please connect the No.2 pin, the No.4 pin and the No.5 pin to the ground plane on the board.

Thermal Shutdown

The thermal shutdown is included, which limits the junction temperature to a maximum 160°C (Typ.). Under extreme conditions when the junction temperature begins to rise above 160°C, the output is turned off, reducing the output current to zero. When the junction temperature drops below +125°C (Typ.), the output is turned on again and the output current is restored to its nominal value. The output repeats turning on and off to form a pulse shaped output unless the causes of the temperature rise are removed.

Chip Enable (CE) Circuit

The electrical potential level of chip enable (CE) pin should not be set in between V_{CEH} and V_{CEL}. Using the electrical potentials in between V_{CEH} and V_{CEL} may cause the increase of supply current and may result in unstable output.

TYPICAL APPLICATION FOR IC CHIP BREAKDOWN PREVENTION

When a sudden surge of electrical current travels along the V_{OUT} pin and GND due to a short-circuit, electrical resonance of a circuit involving an output capacitor (C2) and a short circuit inductor generates a negative voltage and may damage the device or the load devices. Connecting a schottky diode (D1) between the V_{OUT} pin and GND has the effect of preventing damage to them.

PACKAGE INFORMATION

POWER DISSIPATION (SOT-89-5)

Power Dissipation (P_D) depends on conditions of mounting on board. This specification is based on the measurement at the condition below:

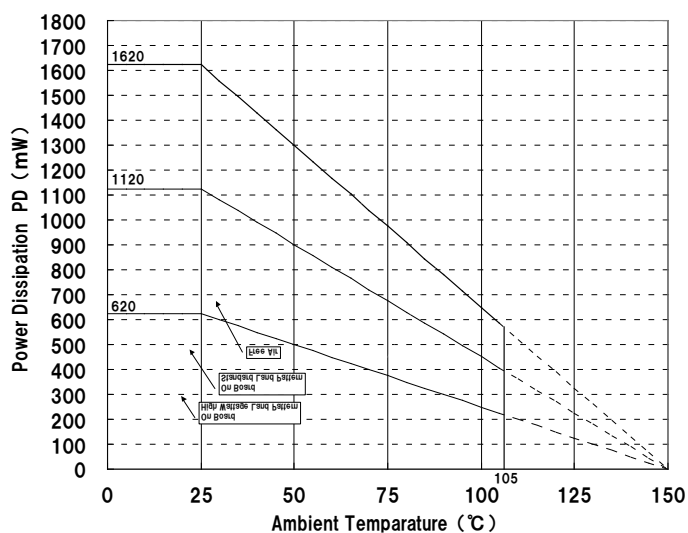
Measurement Conditions

	High Wattage Land Pattern	Standard Land Pattern
Environment	Mounting on Board (Wind velocity=0m/s)	Mounting on Board (Wind velocity=0m/s)
Board Material	Glass cloth epoxy plastic (Double sided)	Glass cloth epoxy plastic (Double sided)
Board Dimensions	30mm × 30mm × 1.6mm	50mm × 50mm × 1.6mm
Copper Ratio	Top side : Approx. 20% , Back side : Approx. 100%	Top side : Approx. 10% , Back side : Approx. 100%
Through-hole	φ0.85mm × 10pcs	-

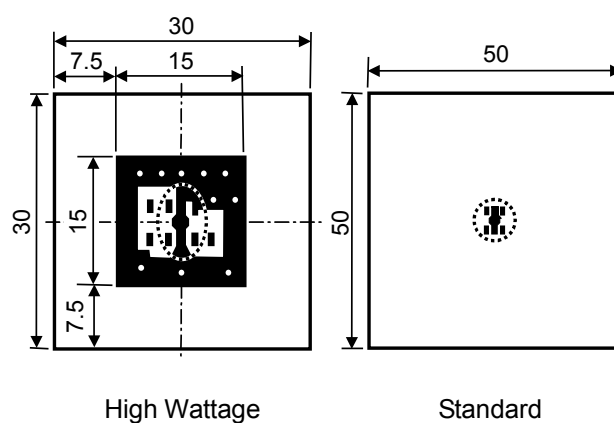
Measurement Result

($T_a=25^\circ\text{C}$, $T_{j\max}=150^\circ\text{C}$)

	High Wattage Land Pattern	Standard Land Pattern	Free Air
Power Dissipation	1620mW	1120mW	620mW
Thermal Resistance	77°C/W	111°C/W	200°C/W



Power Dissipation



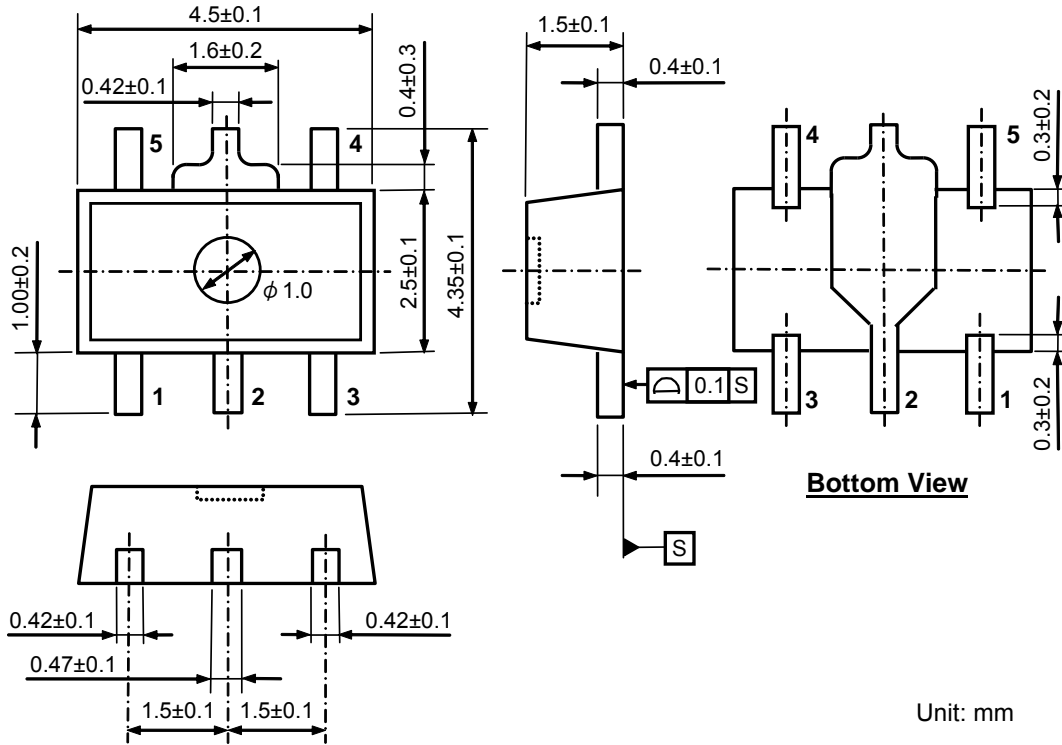
Measurement Board Pattern

○ IC Mount Area (Unit : mm)

R1516x

NO.EC-258-141222

PACKAGE DIMENSIONS (SOT-89-5)

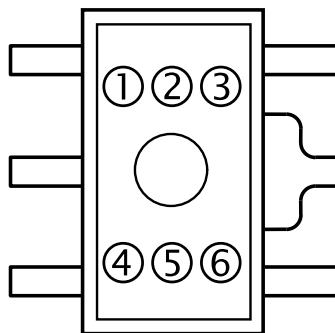


SOT-89-5 Package Dimensions

MARK SPECIFICATION (SOT-89-5)

①②③④: Product Code ... Refer to MARK SPECIFICATION TABLE (SOT-89-5)

⑤⑥: Lot Number ... Alphanumeric Serial Number



SOT-89-5 Mark Specification

MARK SPECIFICATION TABLE (SOT-89-5)

R1516HxxxB

Product Name	① ② ③ ④	V _{SET}
R1516H018B	B 0 1 8	1.8 V
R1516H019B	B 0 1 9	1.9 V
R1516H020B	B 0 2 0	2.0 V
R1516H021B	B 0 2 1	2.1 V
R1516H022B	B 0 2 2	2.2 V
R1516H023B	B 0 2 3	2.3 V
R1516H024B	B 0 2 4	2.4 V
R1516H025B	B 0 2 5	2.5 V
R1516H026B	B 0 2 6	2.6 V
R1516H027B	B 0 2 7	2.7 V
R1516H028B	B 0 2 8	2.8 V
R1516H029B	B 0 2 9	2.9 V
R1516H030B	B 0 3 0	3.0 V
R1516H031B	B 0 3 1	3.1 V
R1516H032B	B 0 3 2	3.2 V
R1516H033B	B 0 3 3	3.3 V
R1516H034B	B 0 3 4	3.4 V
R1516H035B	B 0 3 5	3.5 V
R1516H036B	B 0 3 6	3.6 V
R1516H037B	B 0 3 7	3.7 V
R1516H038B	B 0 3 8	3.8 V
R1516H039B	B 0 3 9	3.9 V
R1516H040B	B 0 4 0	4.0 V
R1516H041B	B 0 4 1	4.1 V
R1516H042B	B 0 4 2	4.2 V
R1516H043B	B 0 4 3	4.3 V
R1516H044B	B 0 4 4	4.4 V
R1516H045B	B 0 4 5	4.5 V
R1516H046B	B 0 4 6	4.6 V
R1516H047B	B 0 4 7	4.7 V
R1516H048B	B 0 4 8	4.8 V
R1516H049B	B 0 4 9	4.9 V
R1516H050B	B 0 5 0	5.0 V
R1516H051B	B 0 5 1	5.1 V
R1516H052B	B 0 5 2	5.2 V
R1516H053B	B 0 5 3	5.3 V
R1516H054B	B 0 5 4	5.4 V
R1516H055B	B 0 5 5	5.5 V
R1516H056B	B 0 5 6	5.6 V
R1516H057B	B 0 5 7	5.7 V
R1516H058B	B 0 5 8	5.8 V
R1516H059B	B 0 5 9	5.9 V
R1516H060B	B 0 6 0	6.0 V
R1516H061B	B 0 6 1	6.1 V
R1516H062B	B 0 6 2	6.2 V

R1516x

NO.EC-258-141222

POWER DISSIPATION (HSOP-6J)

Power Dissipation (P_D) depends on conditions of mounting on board. This specification is based on the measurement at the condition below:

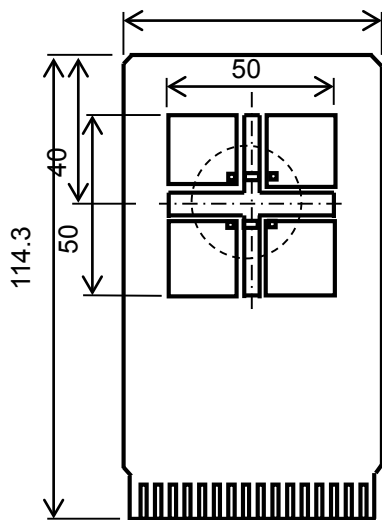
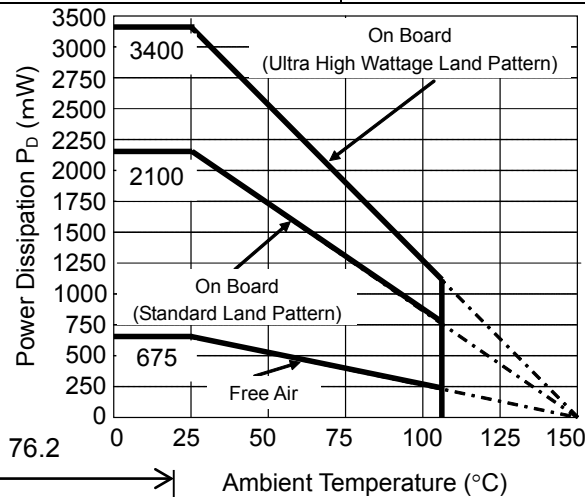
Measurement Conditions

	Ultra High Wattage Land Pattern	Standard Land Pattern
Environment	Mounting on Board (Wind velocity=0m/s)	Mounting on Board (Wind velocity=0m/s)
Board Material	Glass cloth epoxy plastic (4Layers)	Glass cloth epoxy plastic (Double Layers)
Board Dimensions	76.2mm × 114.3mm × 0.8mm	50mm × 50mm × 1.6mm
Copper Ratio	96%	50%
Through-hole	φ0.3mm × 28pcs	φ0.5mm × 24pcs

Measurement Result

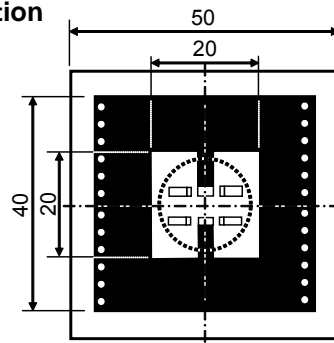
($T_a=25^{\circ}\text{C}$, $T_{jmax}=150^{\circ}\text{C}$)

	Ultra High Wattage Land Pattern	Standard Land Pattern	Free Air
Power Dissipation	3400mW	2100mW	675mW
Thermal Resistance	37°C/W	59°C/W	185°C/W



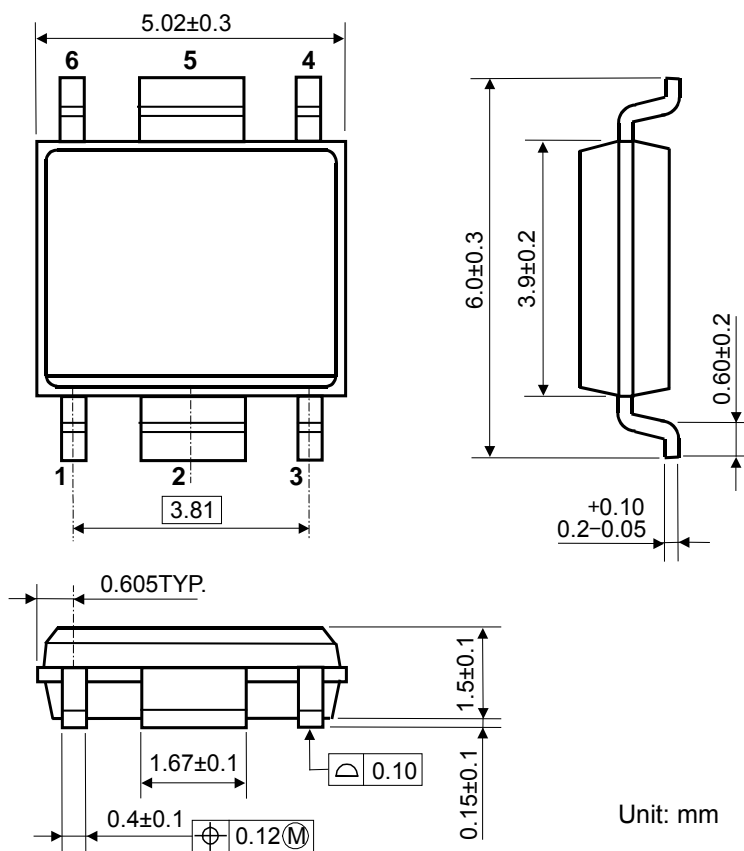
Ultra High Wattage Land Pattern
IC mount area (Unit:mm)

Power Dissipation



Measurement Board Pattern
IC mount area (Unit:mm)

PACKAGE DIMENSIONS (HSOP-6J)

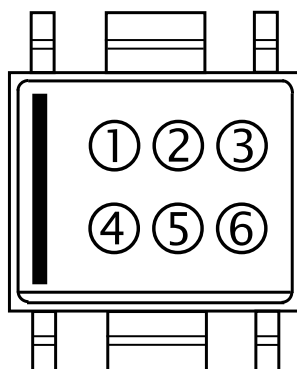


HSOP-6J Package Dimensions

MARK SPECIFICATION (HSOP-6J)

①②③④: Product Code ... **Refer to MARK SPECIFICATION TABLE (HSOP-6J)**

⑤⑥: Lot Number ... Alphanumeric Serial Number



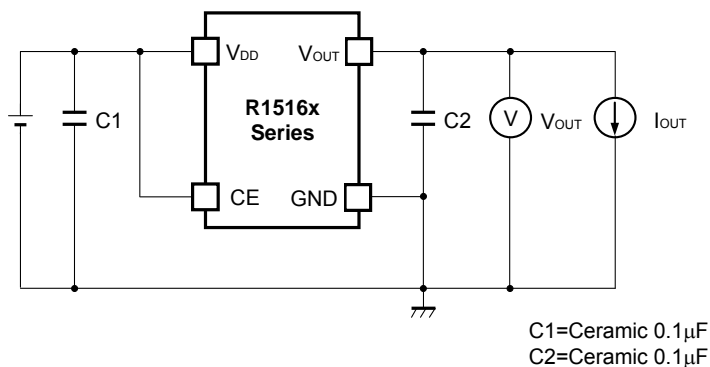
HSOP-6J Mark Specification

R1516xNO.EC-258-141222

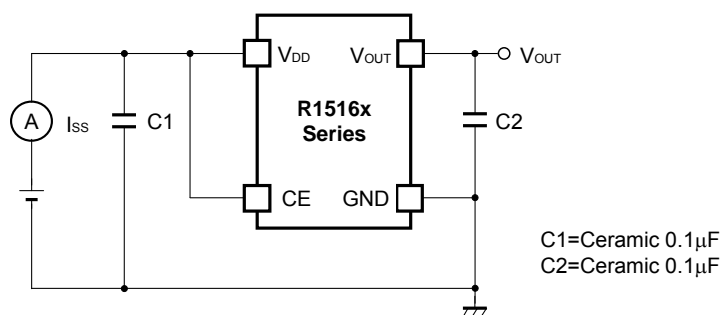
MARK SPECIFICATION TABLE (HSOP-6J)**R1516SxxxB**

Product Name	①	②	③	④	V_{SET}
R1516S018B	P	0	1	8	1.8 V
R1516S019B	P	0	1	9	1.9 V
R1516S020B	P	0	2	0	2.0 V
R1516S021B	P	0	2	1	2.1 V
R1516S022B	P	0	2	2	2.2 V
R1516S023B	P	0	2	3	2.3 V
R1516S024B	P	0	2	4	2.4 V
R1516S025B	P	0	2	5	2.5 V
R1516S026B	P	0	2	6	2.6 V
R1516S027B	P	0	2	7	2.7 V
R1516S028B	P	0	2	8	2.8 V
R1516S029B	P	0	2	9	2.9 V
R1516S030B	P	0	3	0	3.0 V
R1516S031B	P	0	3	1	3.1 V
R1516S032B	P	0	3	2	3.2 V
R1516S033B	P	0	3	3	3.3 V
R1516S034B	P	0	3	4	3.4 V
R1516S035B	P	0	3	5	3.5 V
R1516S036B	P	0	3	6	3.6 V
R1516S037B	P	0	3	7	3.7 V
R1516S038B	P	0	3	8	3.8 V
R1516S039B	P	0	3	9	3.9 V
R1516S040B	P	0	4	0	4.0 V
R1516S041B	P	0	4	1	4.1 V
R1516S042B	P	0	4	2	4.2 V
R1516S043B	P	0	4	3	4.3 V
R1516S044B	P	0	4	4	4.4 V
R1516S045B	P	0	4	5	4.5 V
R1516S046B	P	0	4	6	4.6 V
R1516S047B	P	0	4	7	4.7 V
R1516S048B	P	0	4	8	4.8 V
R1516S049B	P	0	4	9	4.9 V
R1516S050B	P	0	5	0	5.0 V
R1516S051B	P	0	5	1	5.1 V
R1516S052B	P	0	5	2	5.2 V
R1516S053B	P	0	5	3	5.3 V
R1516S054B	P	0	5	4	5.4 V
R1516S055B	P	0	5	5	5.5 V
R1516S056B	P	0	5	6	5.6 V
R1516S057B	P	0	5	7	5.7 V
R1516S058B	P	0	5	8	5.8 V
R1516S059B	P	0	5	9	5.9 V
R1516S060B	P	0	6	0	6.0 V
R1516S061B	P	0	6	1	6.1 V
R1516S062B	P	0	6	2	6.2 V

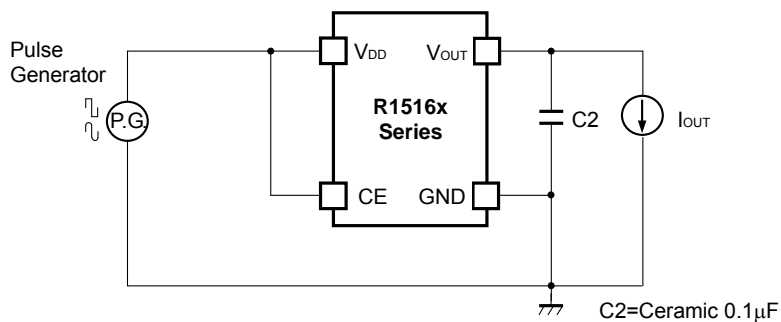
TEST CIRCUITS



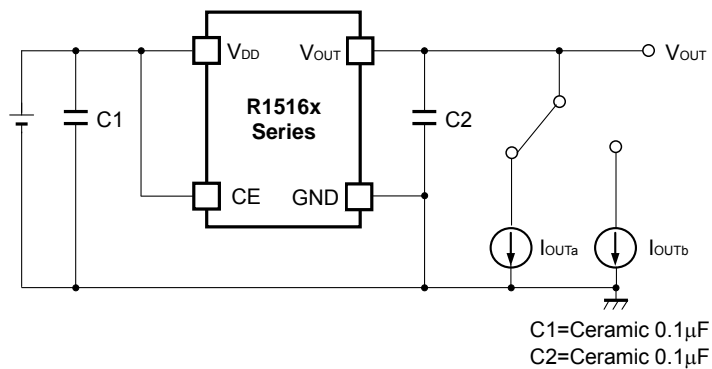
Basic Test Circuit



Test Circuit for Supply Current



Test Circuit for Line Transient Response



Test Circuit for Load Transient Response

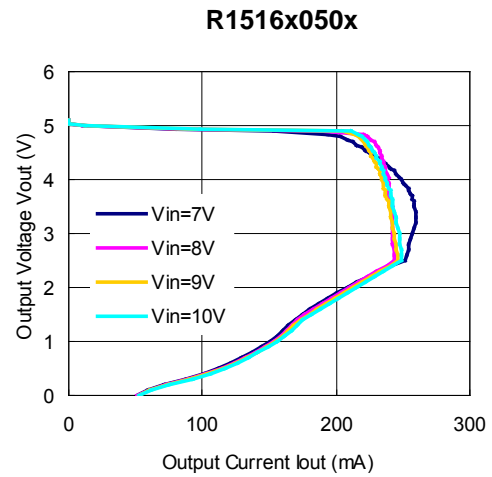
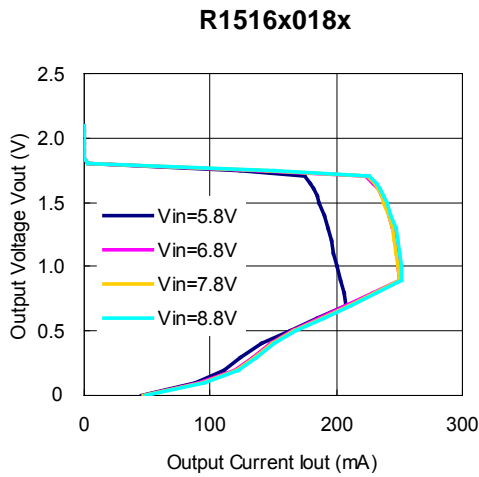
R1516x

NO.EC-258-141222

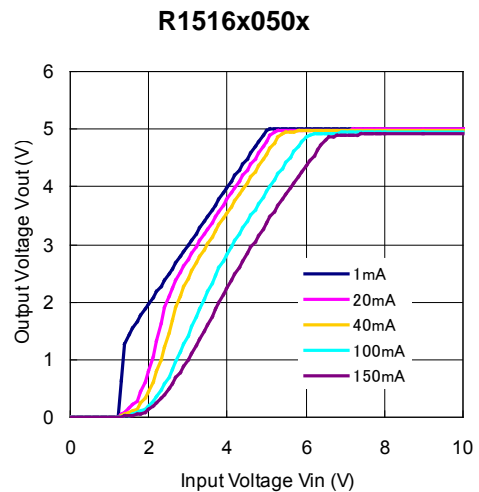
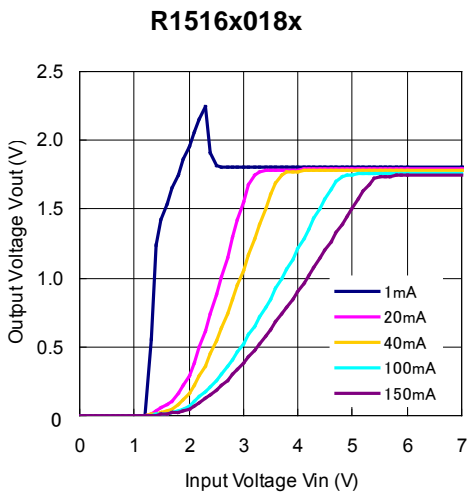
Typical Characteristics

Note: Typical Characteristics are intended to be used as reference data; they are not guaranteed.

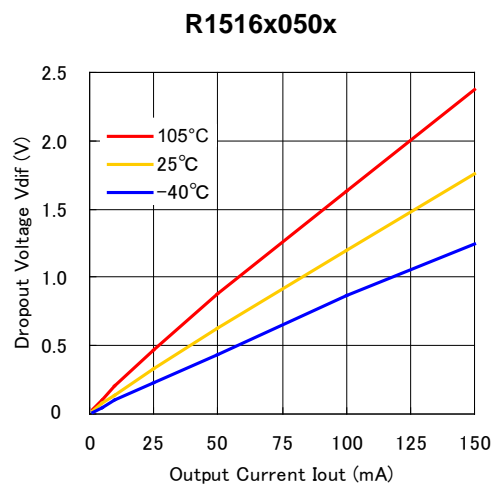
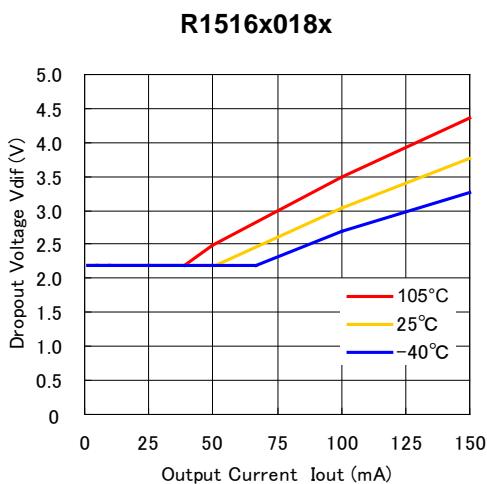
1) Output Voltage vs. Output Current (C1=0.1 μ F, C2=0.1 μ F, Ta=25°C)



2) Output Voltage vs. Input Voltage (C1=0.1 μ F, C2=0.1 μ F, Ta=25°C)

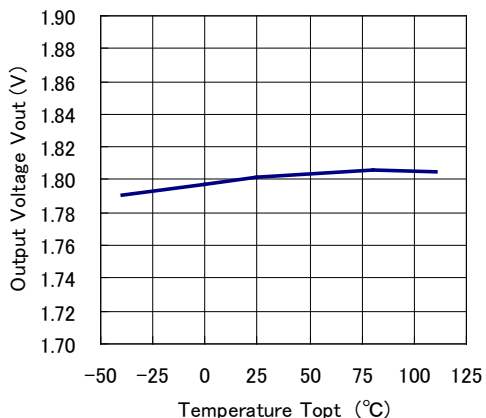


3) Dropout Voltage vs. Output Voltage (C1=0.1 μ F, C2=0.1 μ F, Ta=25°C)

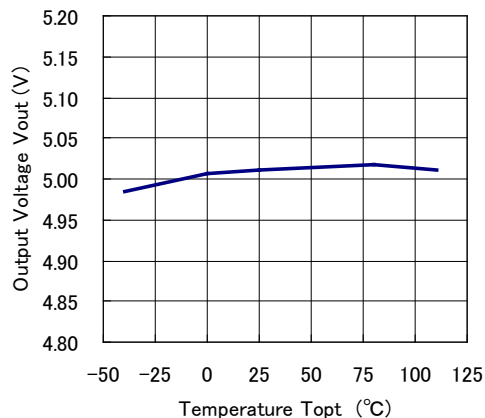


4) Output Voltage vs. Temperature (C1=0.1μF, C2=0.1μF)

R1516x018x

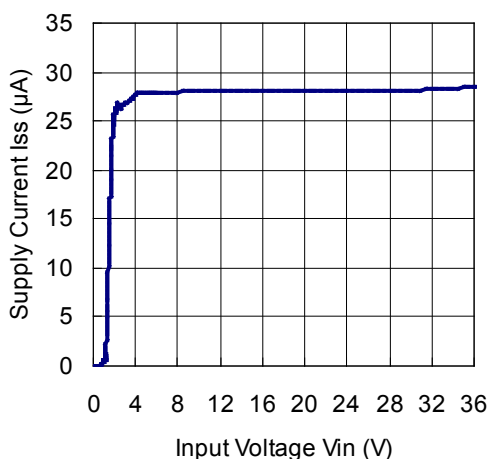


R1516x050x

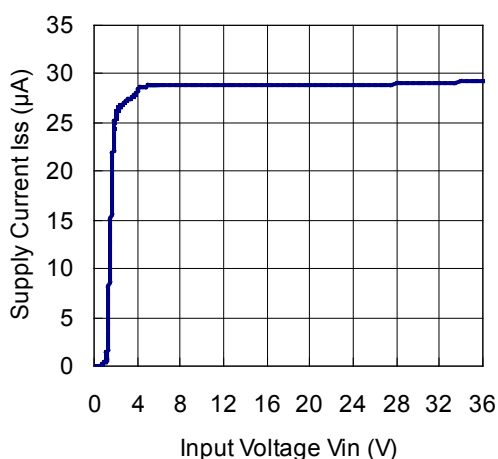


5) Supply Current vs. Input Voltage (C1=0.1μF, C2=0.1μF, Ta=25°C)

R1516x018x

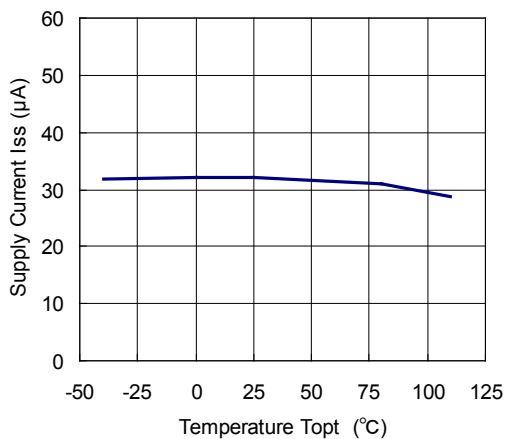


R1516x050x

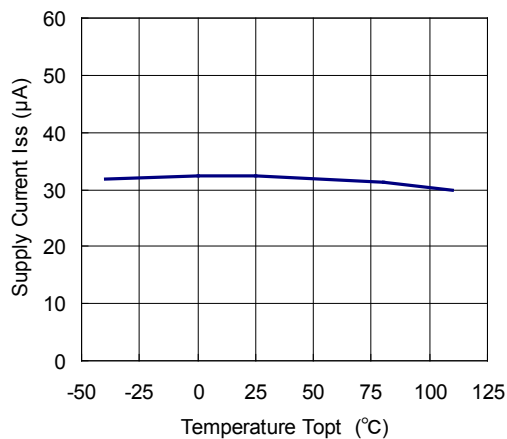


6) Supply Current vs. Temperature (C1=0.1μF, C2=0.1μF)

R1516x018x



R1516x050x

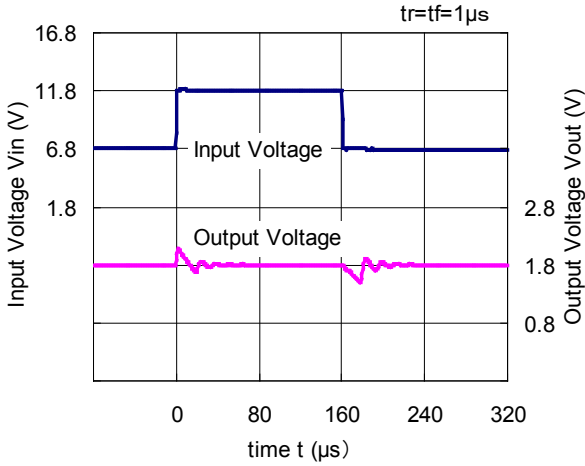


R1516x

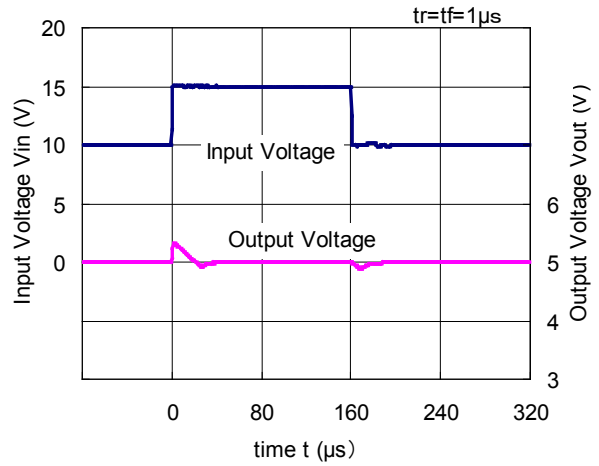
NO.EC-258-141222

7) Input Transient Response (C_1 =none, C_2 =Ceramic $0.1\mu\text{F}$, $I_{\text{OUT}}=1\text{mA}$, $T_a=25^\circ\text{C}$)

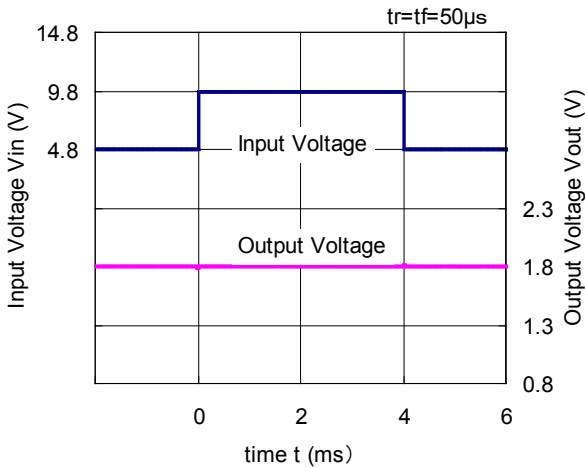
R1516x018x



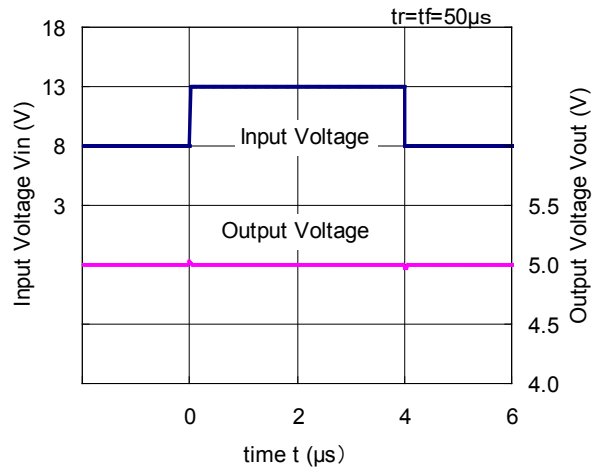
R1516x050x



R1516x018x

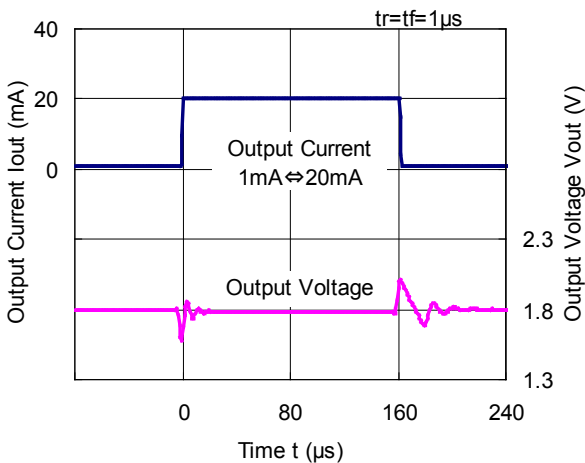


R1516x050x

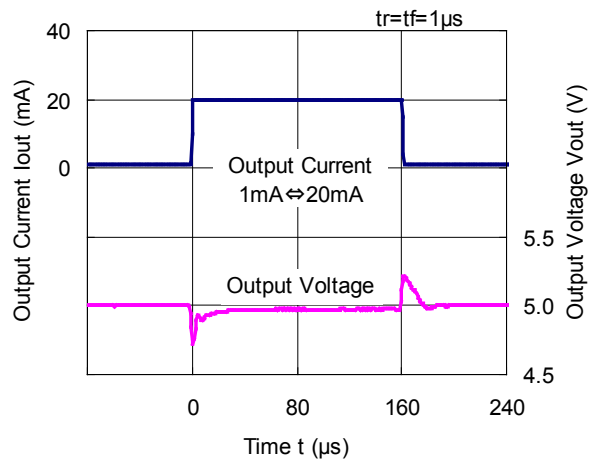


8) Load Transient Response (C_1 =Ceramic $0.1\mu\text{F}$, C_2 =Ceramic $0.1\mu\text{F}$, $T_a=25^\circ\text{C}$)

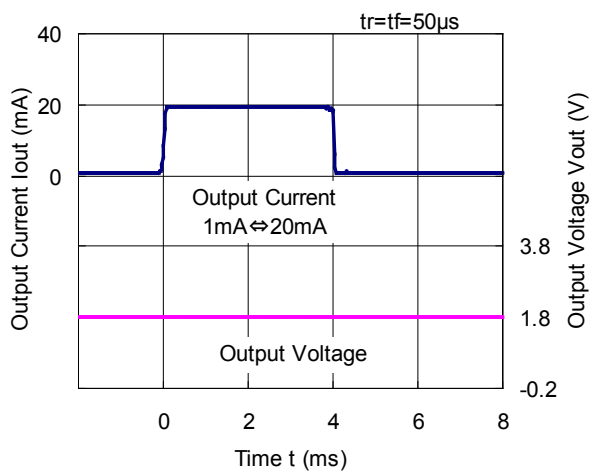
R1516x018x



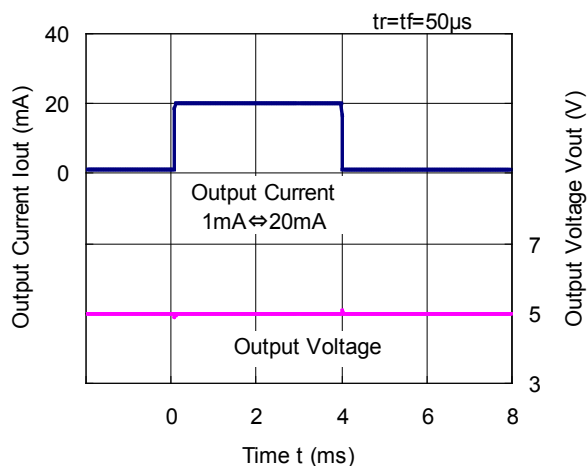
R1516x050x



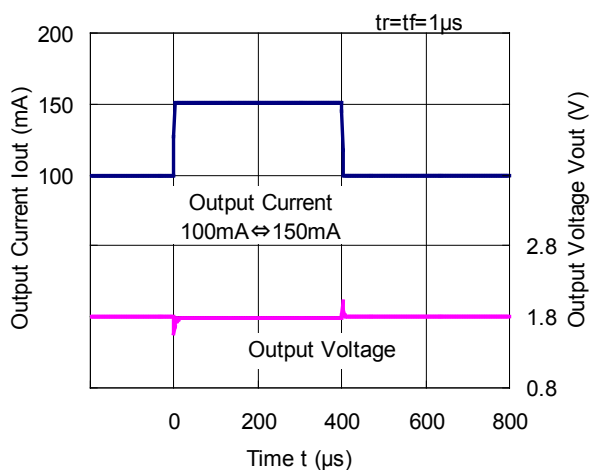
R1516x018x



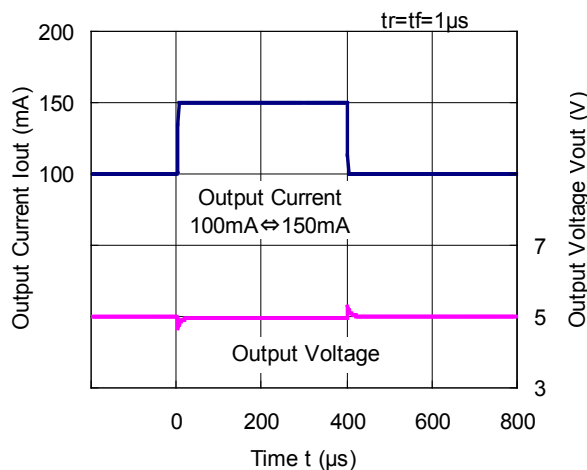
R1516x050x



R1516x018x

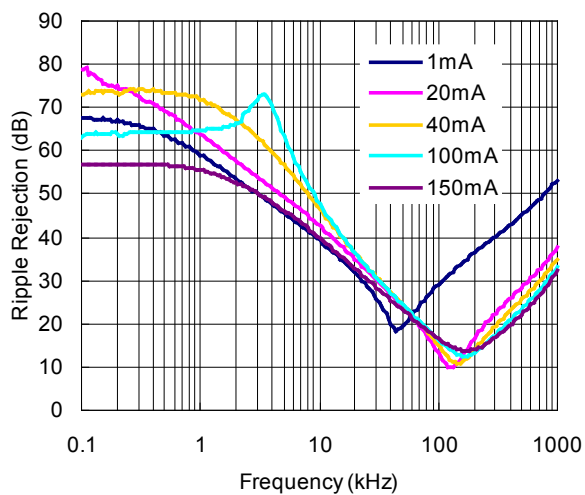


R1516x050x

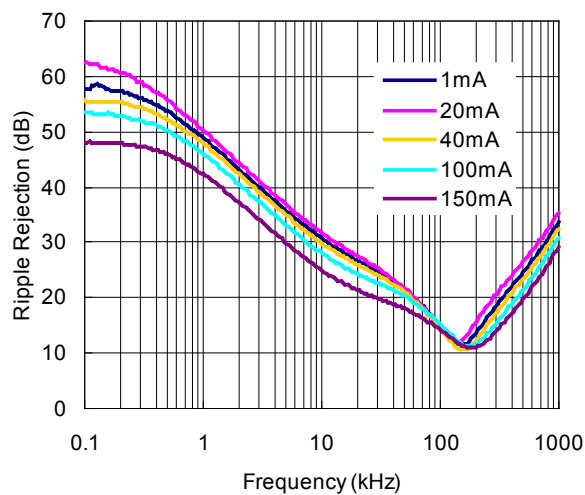


9) Ripple Rejection vs. Frequency (C1=none, C2=Ceramic 0.1µF, Ripple=0.5Vp-p, Ta=25°C)

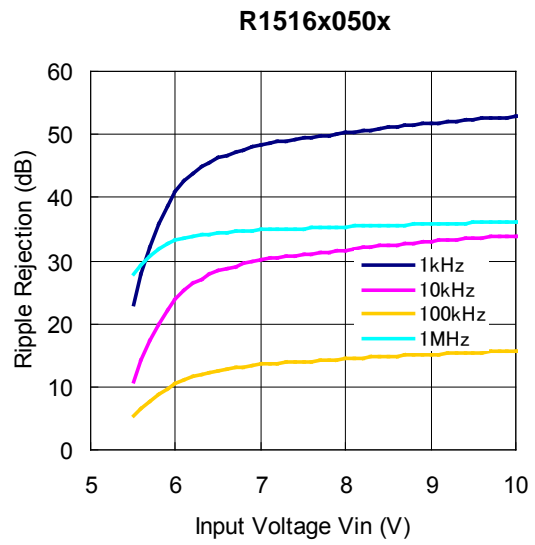
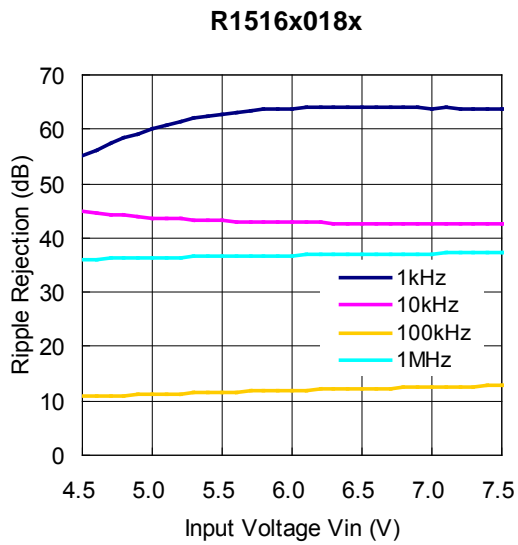
R1516x018x



R1516x050x



R1516xNO.EC-258-141222

10) Ripple Rejection vs. Input Voltage (C1=none, C2=Ceramic 0.1 μ F, I_{OUT}=20mA, Ripple=0.5Vp-p, Ta=25°C)



1. The products and the product specifications described in this document are subject to change or discontinuation of production without notice for reasons such as improvement. Therefore, before deciding to use the products, please refer to our sales representatives for the latest information thereon.
2. The materials in this document may not be copied or otherwise reproduced in whole or in part without prior written consent of our company.
3. Please be sure to take any necessary formalities under relevant laws or regulations before exporting or otherwise taking out of your country the products or the technical information described herein.
4. The technical information described in this document shows typical characteristics of and example application circuits for the products. The release of such information is not to be construed as a warranty of or a grant of license under our company's or any third party's intellectual property rights or any other rights.
5. The products in this document are designed for automotive applications. However, when using the products for automotive applications, please make sure to contact our sales representative in advance due to confirming the quality level.
6. We are making our continuous effort to improve the quality and reliability of our products, but semiconductor products are likely to fail with certain probability. In order to prevent any injury to persons or damages to property resulting from such failure, customers should be careful enough to incorporate safety measures in their design, such as redundancy feature, fire containment feature and fail-safe feature. We do not assume any liability or responsibility for any loss or damage arising from misuse or inappropriate use of the products.
7. Anti-radiation design is not implemented in the products described in this document.
8. The X-ray exposure can influence functions and characteristics of the products. Confirm the product functions and characteristics in the evaluation stage.
9. WLCSP products should be used in light shielded environments. The light exposure can influence functions and characteristics of the products under operation or storage.
10. There can be variation in the marking when different AOI (Automated Optical Inspection) equipment is used. In the case of recognizing the marking characteristic with AOI, please contact our sales or our distributor before attempting to use AOI.
11. Please contact our sales representatives should you have any questions or comments concerning the products or the technical information.



Nisshinbo Micro Devices Inc.

Official website

<https://www.nisshinbo-microdevices.co.jp/en/>

Purchase information

<https://www.nisshinbo-microdevices.co.jp/en/buy/>

