

## 120V AC POWER LINE SURGE SUPPRESSOR



### DESCRIPTION

The 587B Series of 120 Volt AC Surge Suppressors is designed for use by the OEM, equipment installer and or maintenance contractor. These modules employ a three stage technology proven to be the most cost effective and reliable method in protecting sensitive electronic equipment from over voltage transients. This series is designed to protect AC powered equipment from the 6,000 volt peak open circuit voltage and 3,000 Amp short circuit current as defined in ANSI/IEEE C62.41, Category C1.

The 587B Series offers a high degree of protection against 120 VAC EMI line noise. It is ideal for protecting 400 Volt components because the solid state TVS technology assures that the line-to-neutral voltage will not exceed 400 Volts. While the modules are designed for transient voltage protection, the advanced circuitry will also attenuate the amplitude and slow the rate of rise of high frequency noise acting as an EMI filter. The 587B Series includes differential mode protection, which is effective in reducing interference from line to equipment and are effective in reducing equipment generated noise to meet FCC and VDE interference requirements.

### FEATURES

- Compatible with IEC 61000-4-5 (Surge): 1kA, 8/20 $\mu$ s, Level 4 (Line-Gnd) & 333A, Level 4 (Line-Line)
- Meets ANSI/IEEE C62.41 Requirements
- Differential and Common Mode Protection
- Low Clamping Voltage
- Nanosecond Response Time
- Long Life and Maintenance Free

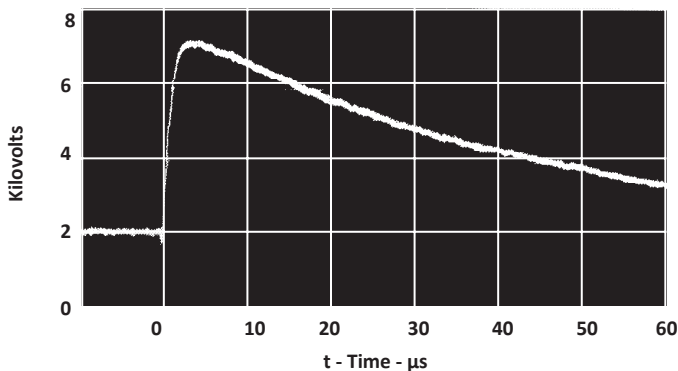
### APPLICATIONS

- Hard Wired Equipment AC Power Protection
- Load Side Distribution Systems
- Secondary Protection for Light Industrial AC Power

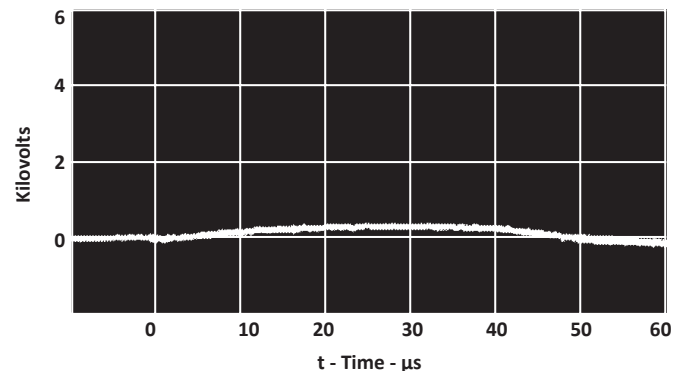
### MECHANICAL CHARACTERISTICS

- Plastic Package
- Approximate Weight: 485 grams
- Flammability Rating UL 94V-0

**FIGURE 1**  
TRANSIENT VOLTAGE THREAT CONDITION



**FIGURE 2**  
TYPICAL CLAMPING ACTION OF A 16A MODULE



Figures 1 and 2 are photographs of digitized waveforms showing the typical clamping action of a 16A module. A 12 Ohm resistor is used to represent a 10A equipment load. The load is then subjected to the ANSI/IEEE C62.41 Category C1 test conditions (6000V/3000A). These photographs contrast the effect on equipment with and without the protector.

**TYPICAL DEVICE CHARACTERISTICS**
**MAXIMUM RATINGS @ 25°C Unless Otherwise Specified**

PARAMETER	SYMBOL	VALUE	UNITS
Operating Line Voltage: +10%	$V_o$	130	Volts AC
Line Current: 587B051/587B151/587B201/587B301	-	5/15/20/30	Amps
Peak Transient Voltage	-	6000	Volts
Peak Transient Current	-	3000	Amps
Current Leakage @ 130 Volts AC: Line-to-Neutral & Neutral-to-Ground	-	1 & 0.5	mA
Operating Temperature - Note 1	$T_A$	-40 to 85	°C
Storage Temperature - Note 1	$T_{STG}$	-40 to 85	°C

**NOTES**

1. Measured at the center of the mounting surface.

**ELECTRICAL CHARACTERISTICS @ 25°C Unless Otherwise Specified**

PROTECTION MODE (Note 1)	MAXIMUM CLAMPING VOLTAGE (Note 2) VOLTS	OPEN CIRCUIT VOLTAGE (Note 2) @ 1.2/50µs VOLTS	SHORT CIRCUIT CURRENT (Note 2) @ 8/20µs AMPS
Line to Neutral	295	1000	500
Line to Neutral	350	6000	3000
Neutral to Ground	500	1000	500
Neutral to Ground	650	6000	3000

**NOTES**

1. Differential Mode Protection: Line to Neutral. Common Mode Protection: Neutral to Ground.
2. Test condition responses to transient voltages.

**FILTER CHARACTERISTICS (Noise Attenuation db)**

Frequency (MHz)	0.15	0.5	1.0	5.0	10	30
Common Mode Attenuation	10	25	35	55	50	40
Differential Mode Attenuation	30	55	55	55	50	45

## TYPICAL DEVICE CHARACTERISTICS

---

### ARRESTOR DEFINITIONS

**Clamping Voltage:** The clamping voltage of an arrester is the voltage that appears across its terminals during conduction of a transient current.

**Standard Wave Form:** The waveform of a surge current or voltage is designated by a combination of two numbers. The first number is for the time of the wave front expressed in microseconds from zero to the peak of the wave. The second number is for the time of the wavetail also expressed in microseconds from zero to the instant that the wavetail reaches one half of the crest or peak value, i.e., 8/20  $\mu$ s waveform.

**Transient Current:** The transient current of an arrester is the peak surge current which flows through the arrester when voltage clamping occurs.

### OPERATION

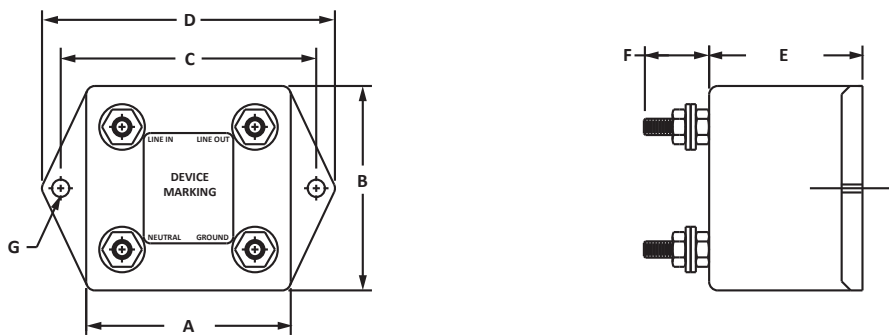
For maximum effectiveness, the protector should be installed directly after the AC line on/off switch and fuse. This will protect the electronics from the AC line switch arcing and the severe transients caused by a fuse clearing.

Some heat is produced when operating at full current load, and heat sinking may be required to maintain case temperature below 85°C. The case temperature is measured at the center of the mounting surface. The unit should not be mounted to a low combusting temperature material such as wood.

High energy transients will cause a large circulating current in the AC input line (2,500A is possible). To prevent electromagnetic coupling, the AC line on the input side of the protector must be dressed away from other wiring, magnetic shielding may be required. In addition, the electrical service must be connected to a low impedance earth ground.

## PACKAGE INFORMATION

OUTLINE DIMENSIONS															
P/N	WEIGHT	INCHES							MILLIMETERS						
		A	B	C	D	E	F	G	A	B	C	D	E	F	G
587B051	250	2.00	2.00	2.50	3.00	1.50	0.60	0.169	50.8	50.8	63.5	76.2	38.2	15.2	4.29
587B151	500	3.00	2.00	3.50	4.00	1.50	0.60	0.169	76.2	50.8	89.0	102.0	38.2	15.2	4.29
587B201	750	3.00	3.00	3.50	4.00	1.50	0.60	0.169	76.2	76.2	89.0	102.0	38.2	15.2	4.29
587B301	850	3.00	3.00	3.50	4.00	1.50	0.60	0.169	76.2	76.2	89.0	102.0	38.2	15.2	4.29



**Note:** Recommended torque value for mounting: less than 10 inch pounds

## ORDERING INFORMATION

BASE PART NUMBER (xx = Voltage)	MARKING
587Bxxx	Part Number, Date Code, Voltage, Logo, Current Rating

## COMPANY INFORMATION

---

### COMPANY PROFILE

In business more than 30 years, ProTek Devices™ is a privately held semiconductor company. The company offers a product line of overvoltage protection that include Transient Voltage Suppressor (TVS) Arrays, Steering Diode Array Hybrids, High-power Components and Modules, as well as Steering Diodes, EMI Filter/TVS Arrays and Thyristor Surge Suppressors. These components deliver circuit protection in electronic systems from numerous overvoltage events. They include lightning; electrostatic discharge (ESD); nuclear electromagnetic pulses (NEMP); inductive switching; and electromagnetic interference (EMI) / radio frequency interference (RFI). ProTek Devices is an ISO 9001 certified company.

### CONTACT US

#### Corporate Headquarters

2929 South Fair Lane  
Tempe, Arizona 85282  
USA

#### By Telephone

General: 602-431-8101  
Sales: & Marketing: 602-414-5109  
Customer Service: 602-414-5114  
Product Technical Support: 602-414-5107

#### By Fax

General: 602-431-2288

#### By E-mail:

Asia Sales: [asiasales@protekdevices.com](mailto:asiasales@protekdevices.com)  
Europe Sales: [europesales@protekdevices.com](mailto:europesales@protekdevices.com)  
U.S. Sales: [ussales@protekdevices.com](mailto:ussales@protekdevices.com)  
Distributor Sales: [distysales@protekdevices.com](mailto:distysales@protekdevices.com)  
Customer Service: [service@protekdevices.com](mailto:service@protekdevices.com)  
Technical Support: [support@protekdevices.com](mailto:support@protekdevices.com)

#### ProTek Devices (Asia Pacific) Pte. Ltd.

8 Ubi Road 2, #06-19  
Zervex  
Singapore - 408538  
Tel: +65-67488312  
Fax: +65-67488313

#### Web

[www.protekdevices.com](http://www.protekdevices.com)

COPYRIGHT © ProTek Devices 1998 - This literature is subject to all applicable copyright laws and is not for resale in any manner.

SPECIFICATIONS: ProTek reserves the right to change the electrical and or mechanical characteristics described herein without notice.

DESIGN CHANGES: ProTek reserves the right to discontinue product lines without notice and that the final judgement concerning selection and specifications is the buyer's and that in furnishing engineering and technical assistance. ProTek assumes no responsibility with respect to the selection or specifications of such products. ProTek makes no warranty, representation or guarantee regarding the suitability of its products for any particular purpose, nor does ProTek assume any liability arising out of the application or use of any product or circuit and specifically disclaims any and all liability without limitation special, consequential or incidental damages.

LIFE SUPPORT POLICY: ProTek Devices products are not authorized for use in life support systems without written consent from the factory.

PATENT INFORMATION: This device is patented under U.S. Patent No. 4,563,720