

ITO-220AB

Primary Characteristics

I_F	40	A
V_{RRM}	40~200	V
I_{FSM}	200	A
V_F	0.7, 0.8, 0.85, 0.95	V
T_J max	125, 150	°C

Features

- High Current Capability
- Low Power Loss
- High Efficiency

Mechanical Data

- Case : ITO-220AB
- Case Material : Molded Plastic, UL Flammability Classification Rating 94V-0
- Terminals : Solder Plated, Solderable per MIL-STD-750, Method 2026
- Mounting Position : Any

Ordering Information

Part No.	Remark	Package	Packing
SPS40xxC	RoHS Compliant	ITO-220AB	50 / Tube
SPS40xxC-H	Halogen Free		

Maximum Ratings (TA=25°C unless otherwise noted)

Parameter	Symbol	SPS40 40C	SPS40 45C	SPS40 50C	SPS40 60C	SPS40 80C	SPS40 90C	SPS40 100C	SPS40 150C	SPS40 200C	Unit	
Maximum Repetitive Peak Reverse Voltage	V_{RRM}	40	45	50	60	80	90	100	150	200	V	
Maximum RMS Voltage	V_{RMS}	28	31.5	35	42	56	63	70	105	140	V	
Maximum DC Blocking Voltage	V_{DC}	40	45	50	60	80	90	100	150	200	V	
Maximum Average Forward Rectified Current (Total) (Per Leg)	I_F	40 20									A	
Peak Forward Surge Current, 8.3ms Single Half Sine-Wave Superimposed on Rated Load	I_{FSM}	200									A	
Maximum Instantaneous Forward Voltage IF=20A @ 25°C (per leg)	V_F	0.70	0.80		0.85			0.95		V		
Maximum DC Reverse Current @ $T_J=25^\circ\text{C}$ at Rated DC Blocking Voltage @ $T_J=125^\circ\text{C}$	I_R	1 20				0.5 20					mA	
Typical Thermal Resistance	$R_{\theta JC}$	3									°C/W	
Operating Temperature Range	T_J	-55 to +125					-55 to +150					°C
Storage Temperature Range	T_{STG}	-55 to +150									°C	



Rating and Characteristics Curves

FIG. 1-Typical Forward Current Derating Curve

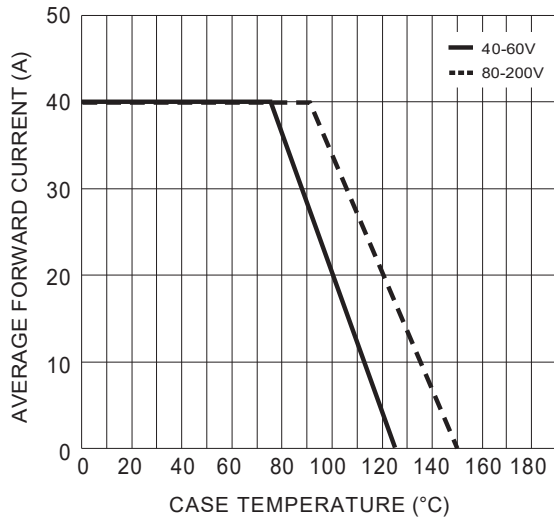


FIG. 2-Typical Forward Characteristics

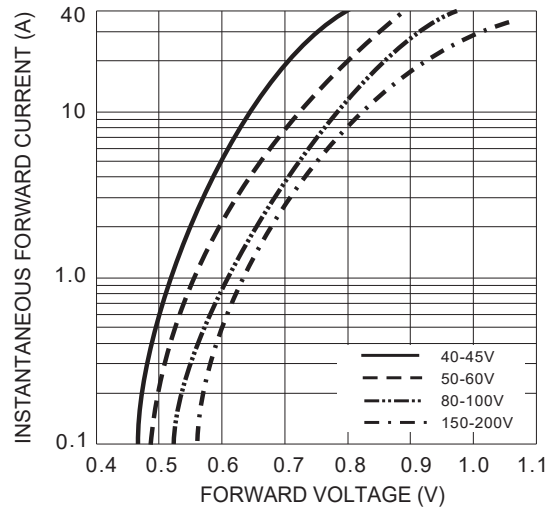


FIG. 3-Maximum Non-Repetitive Forward Surge Current

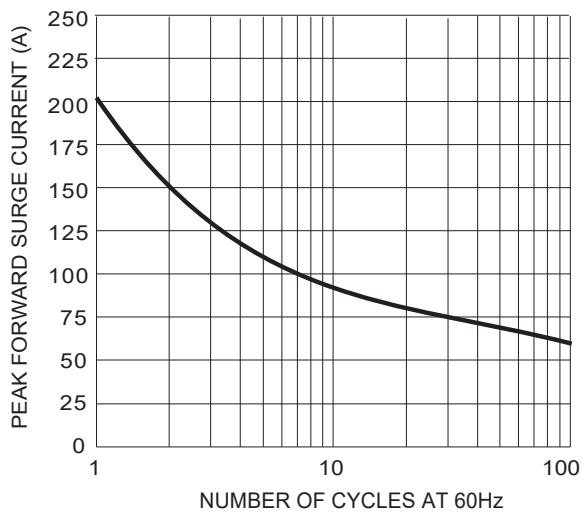
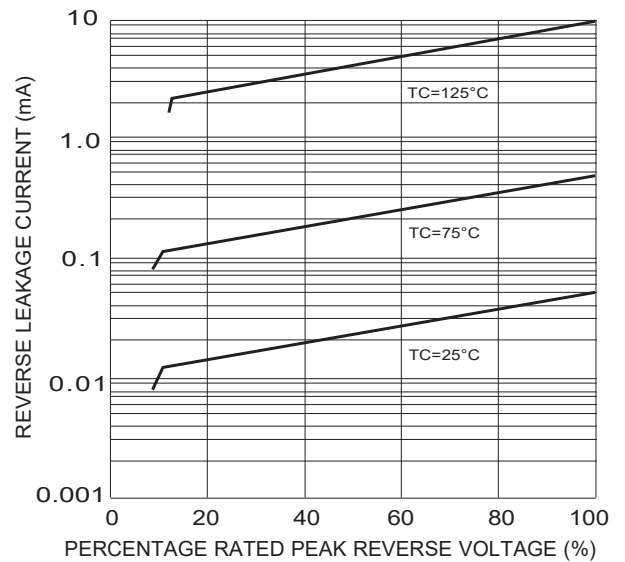
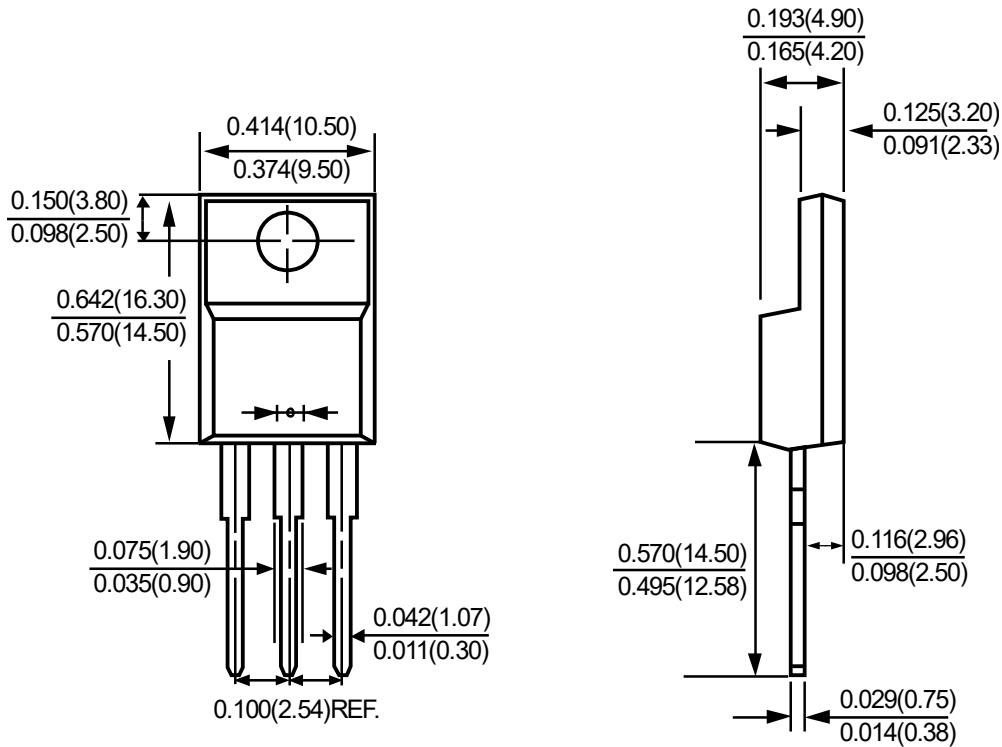


FIG. 4-Typical Reverse Characteristics





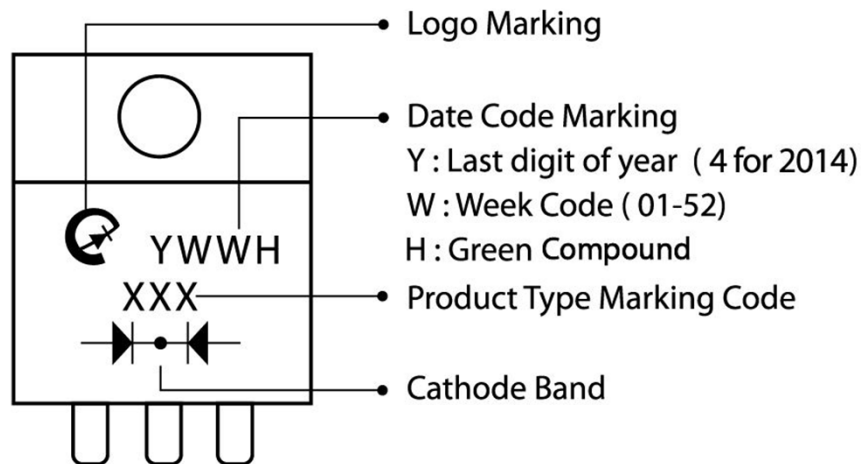
Package Outline Dimensions



ITO-220AB

Dimensions in inches and (millimeters)

Marking Information





LEGAL DISCLAIMER

- The product is provided “AS IS” without any guarantees or warranty. In association with the product, Eris Technology Corporation, its affiliates, and their directors, officers, employees, agents, successors and assigns (collectively, the “Eris”) makes no warranties of any kind, either express or implied, including but not limited to warranties of merchantability, fitness for a particular purpose, of title, or of non-infringement of third party rights.
- The information in this document and any product described herein are subject to change without notice and should not be construed as a commitment by Eris. Eris assumes no responsibility for any errors that may appear in this document.
- Eris does not assume any liability arising out of the application or use of this document or any product described herein, any Customer or user of this document or products described herein in such applications shall assume all risks of such use and will agree to hold Eris and all the companies whose products are represented on Eris website, harmless against all damages.
- No license, express or implied, by estoppels or otherwise, to any intellectual property is granted by this document or by any conduct of Eris. Product name and markings notes herein may be trademarks of their respective owners.
- Eris does not warrant or accept any liability whatsoever in respect of any products purchased through unauthorized sales channel.
- Should Customers purchase or use Eris products for any unintended or unauthorized application, Customers shall indemnify and hold Eris and its representatives harmless against all claims, damages, expenses, and attorney fees arising out of, directly or indirectly, any claim of personal injury or death associated with such unintended or unauthorized application.
- The official text is written in English and the English version of this document is the only version endorsed by Eris. Any discrepancies or differences created in the translations are not binding and have no legal effect on Eris for compliance or enforcement purposes.