

High Voltage $I_o=100\text{mA}$ Low Dropout Regulator

■ GENERAL DESCRIPTION

The NJW4183 is a high voltage and low current consumption low dropout regulator using BCD process.

It have lineup as A version(built-in ON/OFF function type) and B version.(without ON/OFF function type)

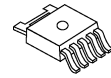
NJW4183 is mounted to SOT-89-3/5, TO-252-3/5 package and corresponded to Low ESR capacitor (MLCC).

It is suitable for a Car accessory, battery equipment and various applications.

■ PACKAGE OUTLINE



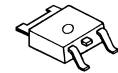
NJW4183U2



NJW4183DL3



NJW4183U3



NJW4183DL1

■ FEATURES

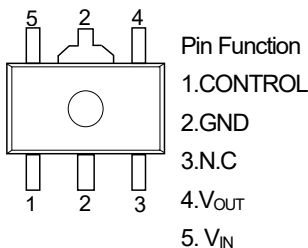
- Wide Operating Voltage Range 4.0V to 35V
- Low Current Consumption 18 μ A (A version.)
15 μ A (B version.)
- Correspond to Low ESR capacitor (MLCC)
- Output Current $I_o(\text{min.})=100\text{mA}$
- Output Voltage Range V_o : 2.0V to 5.0V
- High Precision Output $V_o \pm 1.0\%$
- ON / OFF Function (Apply only the A version.)
- Thermal Overload Protection
- Over Current Protection
- Reverse Current Protection
- Package Outline A ver. : SOT-89-5 TO-252-5
B ver. : SOT-89-3 TO-252-3

■ PRODUCT CLASSIFICATION

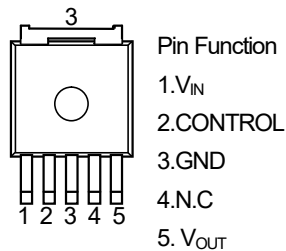
Device Name	Version	ON/OFF Function	Package
NJW4183U2-xxA	A	Yes	SOT-89-5
NJW4183DL3-xxA	A	Yes	TO-252-5
NJW4183U3-xxB	B	-	SOT-89-3
NJW4183DL1-xxB	B	-	TO-252-3

xx=Output Voltage ex) 33=3.3V 05=5.0V

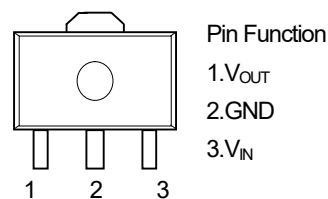
■ PIN CONFIGURATION



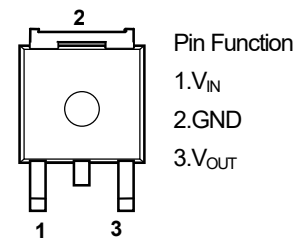
NJW4183U2-A



NJW4183DL3-A



NJW4183U3-B

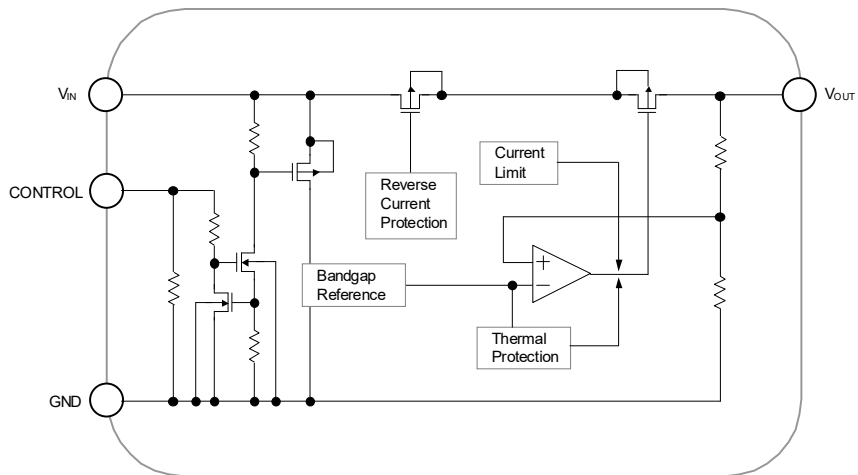


NJW4183DL1-B

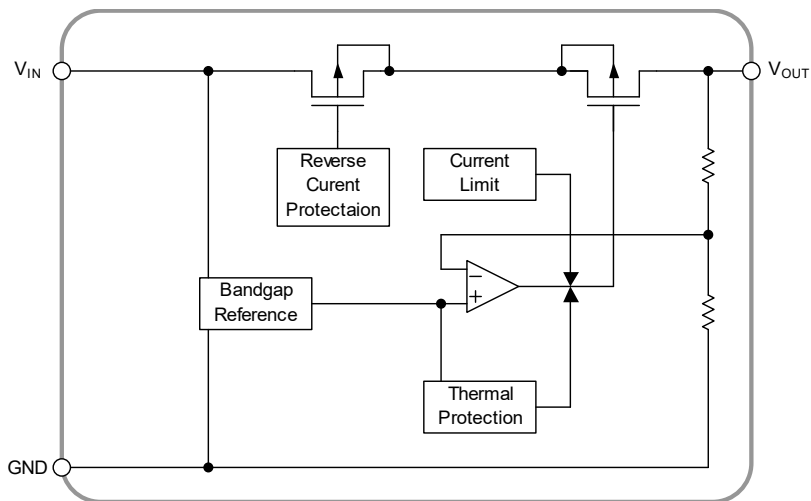
NJW4183

■ BLOCK DIAGRAM

·A version



·B version



■ OUTPUT VOLTAGE RANK LIST

·A version

SOT-89-5

TO-252-5

Device Name	V _{OUT}	Device Name	V _{OUT}
NJW4183U2-33A	3.3V	NJW4183DL3-33A	3.3V
NJW4183U2-05A	5.0V	NJW4183DL3-05A	5.0V

·B version

SOT-89-3

TO-252-3

Device Name	V _{OUT}	Device Name	V _{OUT}
NJW4183U3-33B	3.3V	NJW4183DL1-33B	3.3V
NJW4183U3-05B	5.0V	NJW4183DL1-05B	5.0V

■ ABSOLUTE MAXIMUM RATINGS (Ta=25°C)

PARAMETER	SYMBOL	RATINGS	UNIT	
Input Voltage	V _{IN}	-0.3 to +40	V	
Control Voltage(*1)	V _{CONT}	-0.3 to +40	V	
Output Voltage	V _{OUT}	-0.3 to +7	V	
Power Dissipation	P _D	SOT-89-3/5	625(*2) 2400(*3)	mW
		TO-252-3/5	1190(*2) 3125(*3)	
Junction Temperature	T _J	-40 to +150	°C	
Operating Temperature	Topr	-40 to +85	°C	
Storage Temperature	Tstg	-40 to +150	°C	

(*1): Apply only the A version.

(*2): Mounted on glass epoxy board. (76.2 × 114.3 × 1.6mm:based on EIA/JDEC standard size, 2Layers, Cu area 100mm²)

(*3): Mounted on glass epoxy board. (76.2 × 114.3 × 1.6mm:based on EIA/JDEC standard, 4Layers)

(For 4Layers: Applying 74.2 × 74.2mm inner Cu area and a thermal via hole to a board based on JEDEC standard JESD51-5)

■ ELECTRICAL CHARACTERISTICS

(Unless otherwise noted, V_O ≥ 3V: V_{IN}=V_O+1V, C_{IN}=1μF, C_O=2.2μF, Ta=25°C

V_O < 3V: V_{IN}=4V, C_{IN}=1μF, C_O=2.2μF (V_O ≤ 2.5 : C_O=4.7μF), Ta=25°C)

PARAMETER	SYMBOL	TEST CONDITION	MIN.	TYP.	MAX.	UNIT	
Output Voltage	V _O	I _O = 30mA	-1.0%	-	+1.0%	V	
Quiescent Current	I _Q	A version I _O = 0mA, except I _{CONT}	-	18	30	μA	
		B version I _O = 0mA	-	15	27		
Quiescent Current at Control OFF(*4)	I _O	V _O × 0.9	100	-	-	mA	
Output Current	I _{Q(OFF)}	V _{CONT} =0V	-	-	1	μA	
Line Regulation	ΔV _O /ΔV _{IN}	V _{IN} =V _O +1V to 35V, I _O =30mA(V _O ≥ 3V), V _{IN} =4V to 35V, I _O =30mA(V _O < 3V)	-	-	0.05	%/V	
Load Regulation	ΔV _O /ΔI _O	I _O = 0mA to 100mA	-	-	0.018	%/mA	
Ripple Rejection	RR	V _{IN} =V _O +2V, e _{in} =50mVrms f=1kHz, I _O =10mA	V _O =3.3V	-	45	-	dB
			V _O =5.0V	-	43	-	
Dropout Voltage(*5)	ΔV _{IO}	I _O =60mA	-	0.16	0.26	V	
Control Current(*4)	I _{CONT}	V _{CONT} =1.6V	-	0.5	3	μA	
Control Voltage for ON-state(*4)	V _{CONT(ON)}		1.6	-	-	V	
Control Voltage for OFF-state(*4)	V _{CONT(OFF)}		-	-	0.6	V	
Average Temperature Coefficient of Output Voltage	ΔV _O /ΔTa	Ta=0 to 85°C, I _O =30mA	-	±50	-	ppm/°C	

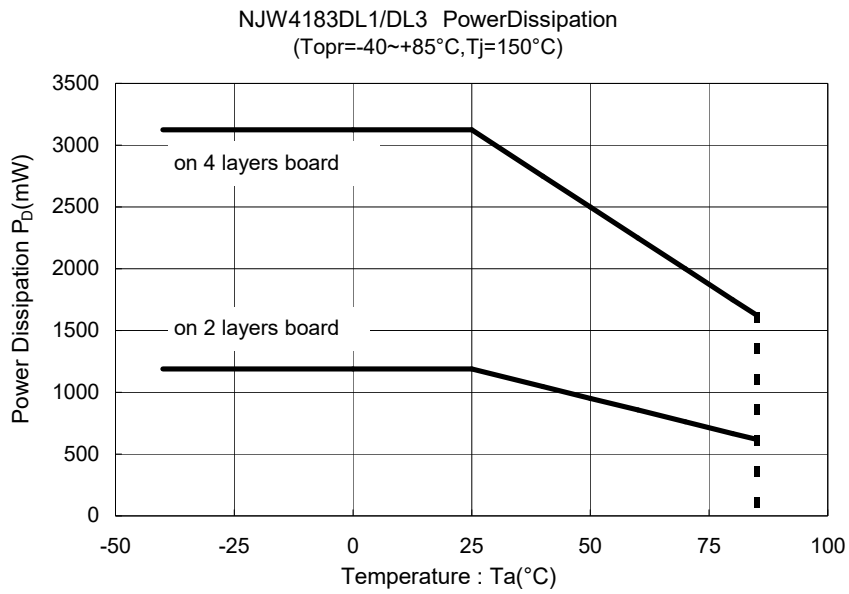
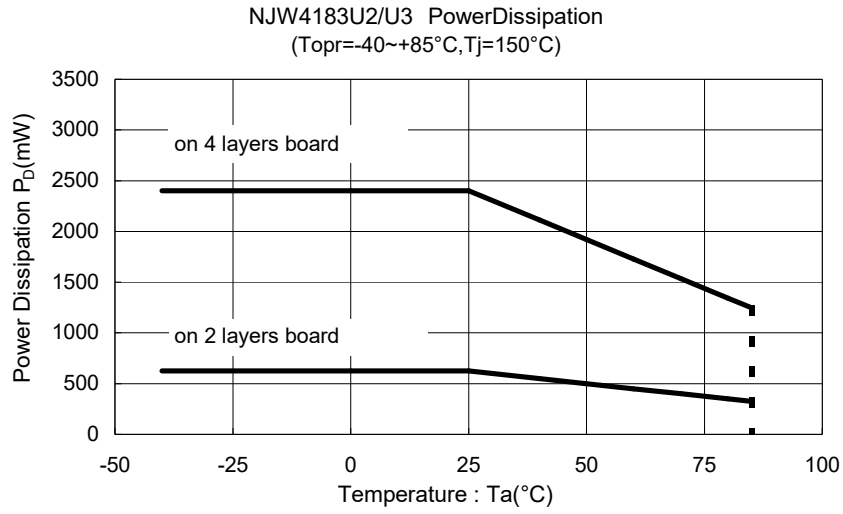
(*4): Apply only the A version.

(*5): The output voltage excludes under 3.8V.

The above specification is a common specification for all output voltages.

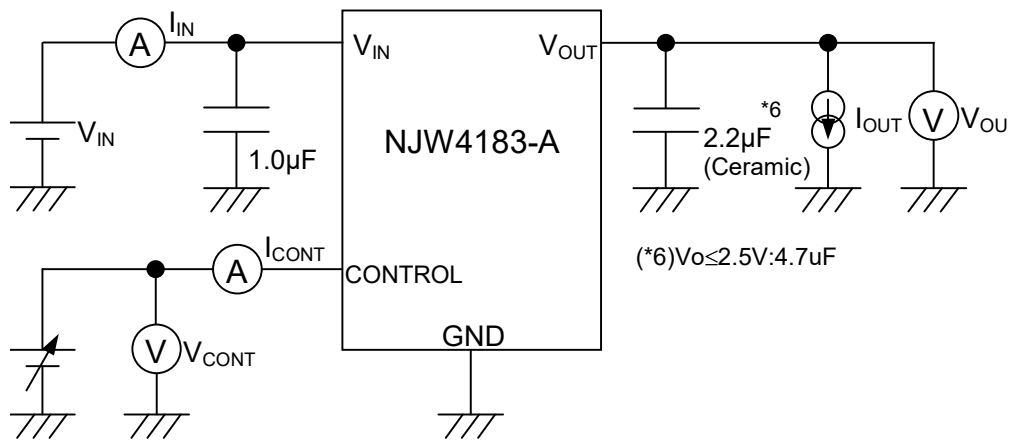
Therefore, it may be different from the individual specification for a specific output voltage.

POWER DISSIPATION vs. AMBIENT TEMPERATURE

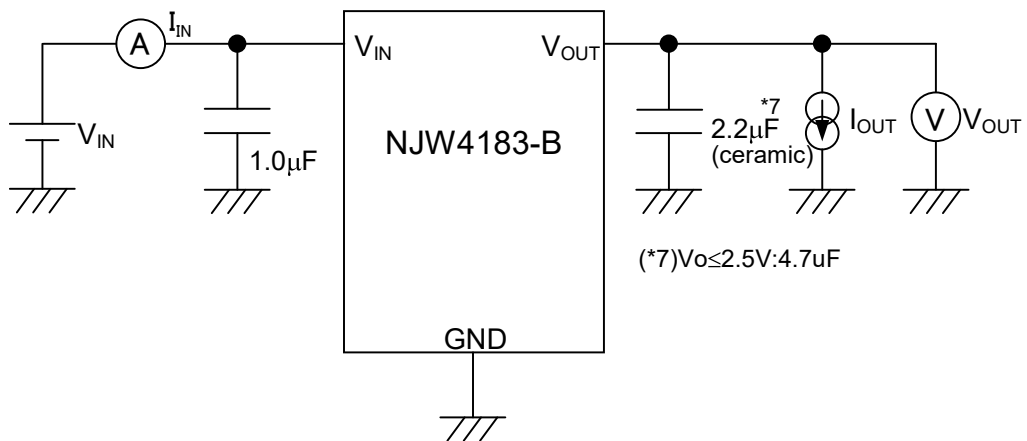


■ TEST CIRCUIT

·A version



·B version

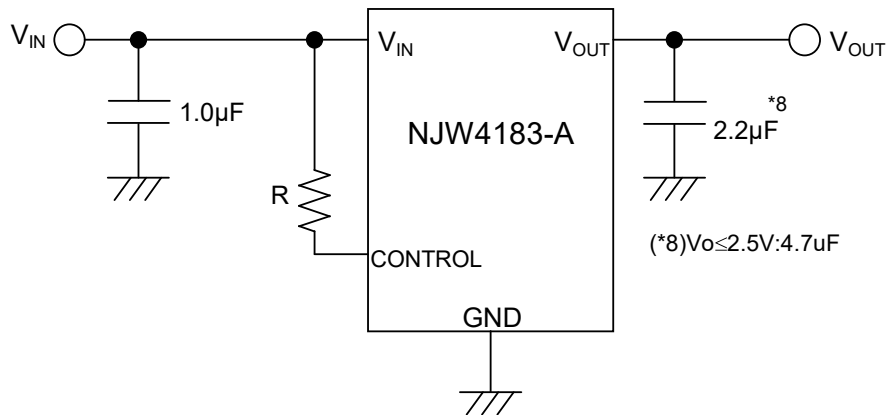


NJW4183

■ TYPICAL APPLICATION

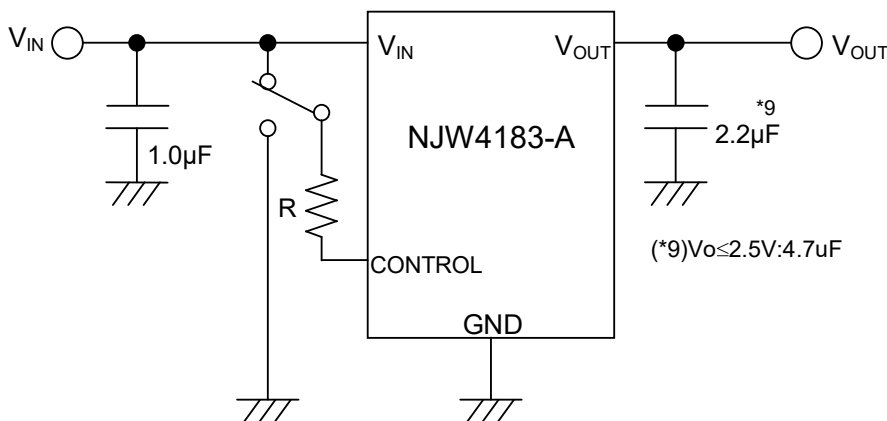
·A version

① In the case where ON/OFF Control is not required



Connect control pin to V_{IN} pin

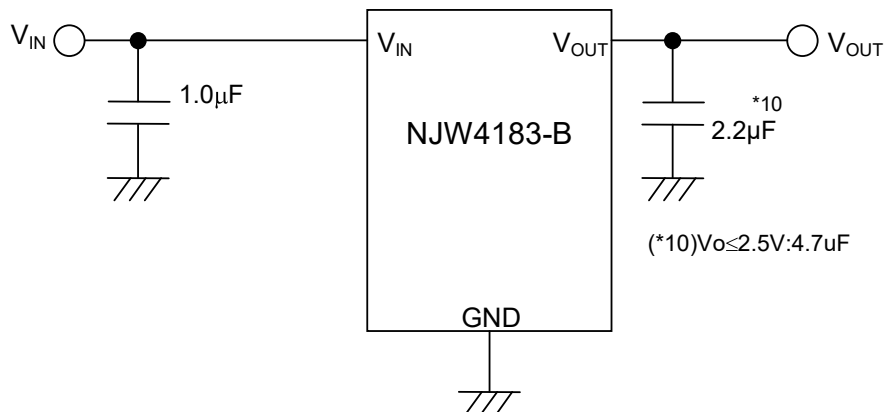
② In use of ON/OFF CONTROL



State of control pin:

- “H” → output is enabled.
- “L” or “open” → output is disabled.

·B version



*In the case of using a resistance "R" between V_{IN} and control.

If this resistor is inserted, it can reduce the control current when the control voltage is high.

The applied voltage to control pin should set to consider voltage drop through the resistor "R" and the minimum control voltage for ON-state.

The $V_{CONT(ON)}$ and I_{CONT} have temperature dependence as shown in the "Control Current vs. Temperature" and "Control Voltage vs. Temperature" characteristics. Therefore, the resistance "R" should be selected to consider the temperature characteristics.

*Input Capacitor C_{IN}

Input Capacitor C_{IN} is required to prevent oscillation and reduce power supply ripple for applications when high power supply impedance or a long power supply line.

Therefore, use the recommended C_{IN} value (refer to conditions of ELECTRIC CHARACTERISTIC) or larger and should connect between GND and V_{IN} as shortest path as possible to avoid the problem.

*Output Capacitor C_O

Output capacitor (C_O) will be required for a phase compensation of the internal error amplifier.

The capacitance and the equivalent series resistance (ESR) influence to stable operation of the regulator.

Use of a smaller C_O may cause excess output noise or oscillation of the regulator due to lack of the phase compensation.

On the other hand, Use of a larger C_O reduces output noise and ripple output, and also improves output transient response when rapid load change.

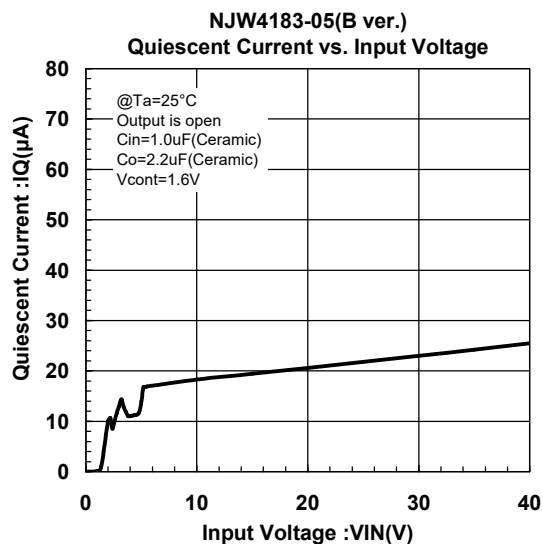
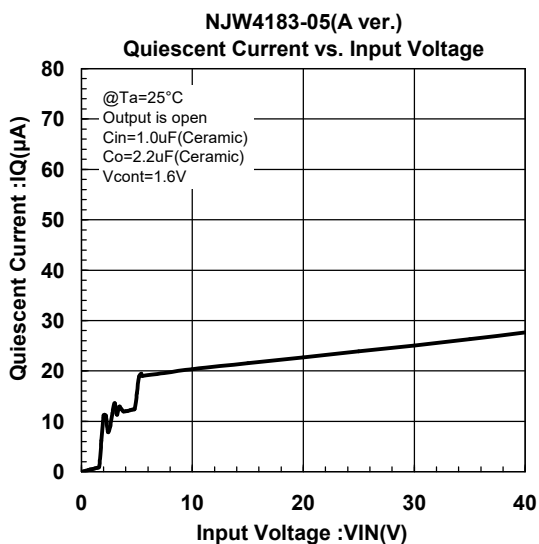
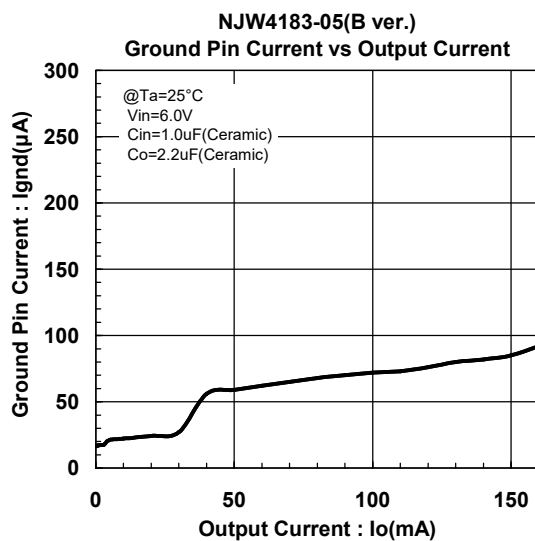
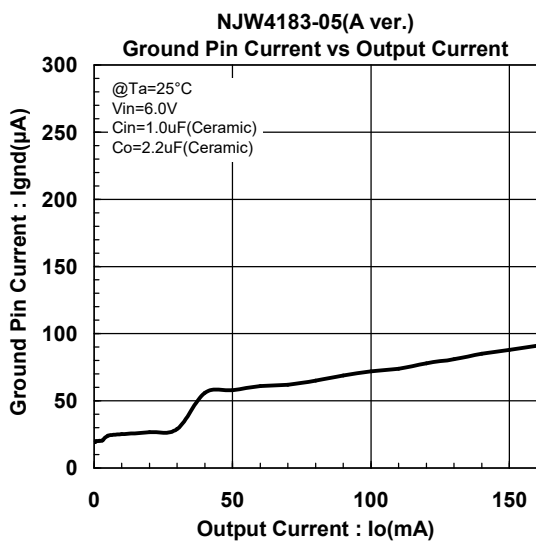
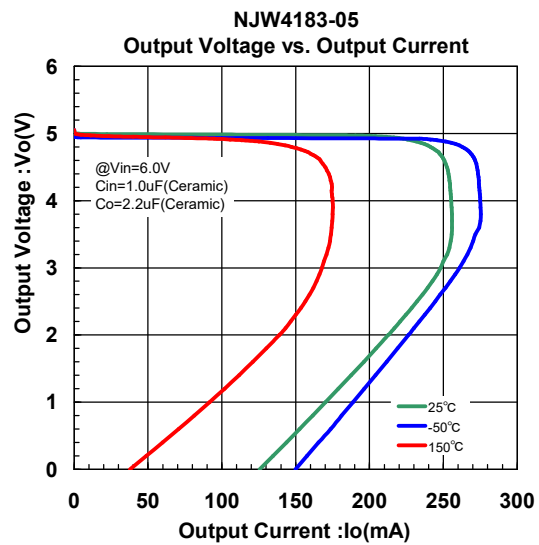
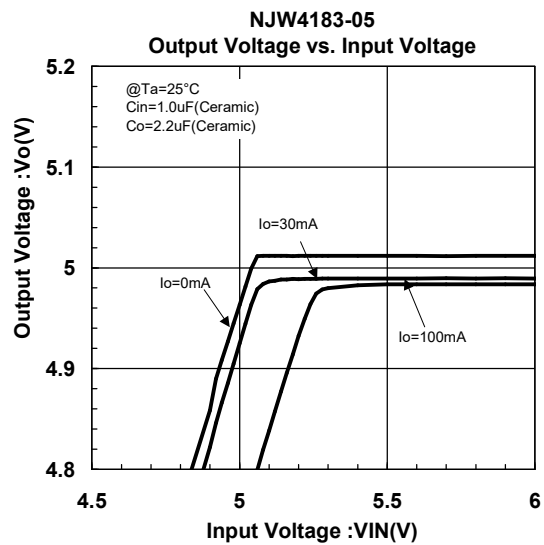
Therefore, use the recommended C_O value (refer to conditions of ELECTRIC CHARACTERISTIC) or larger and should connect between GND and V_{OUT} as shortest path as possible for stable operation

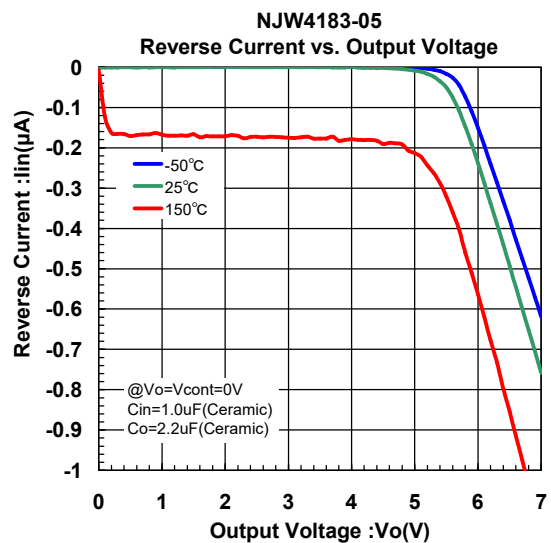
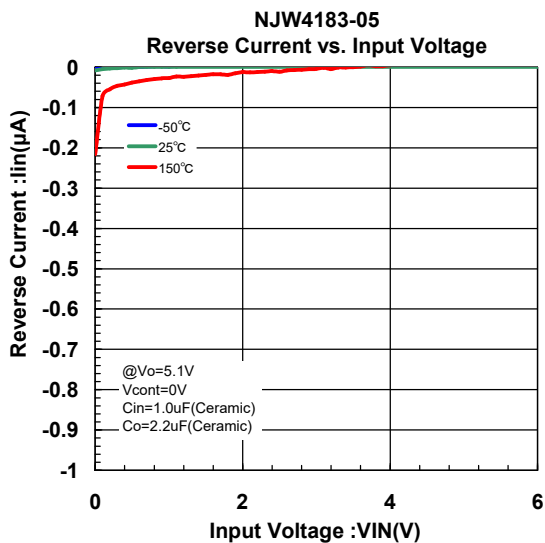
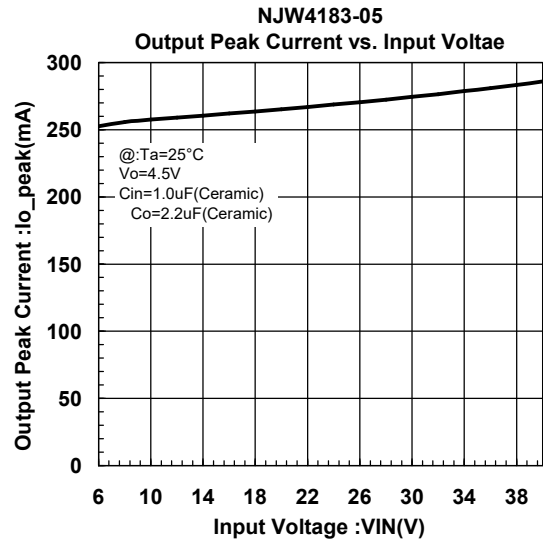
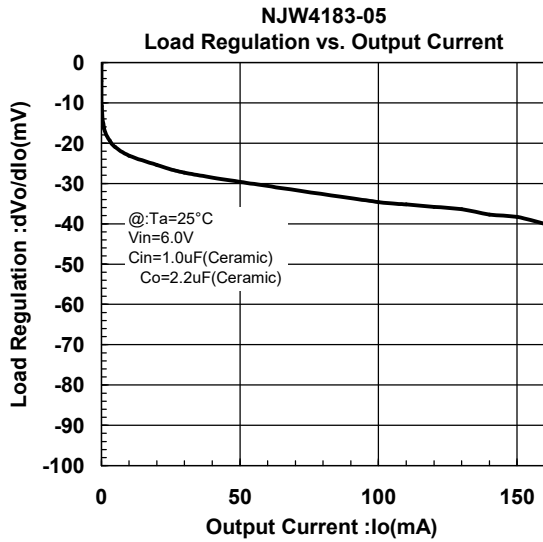
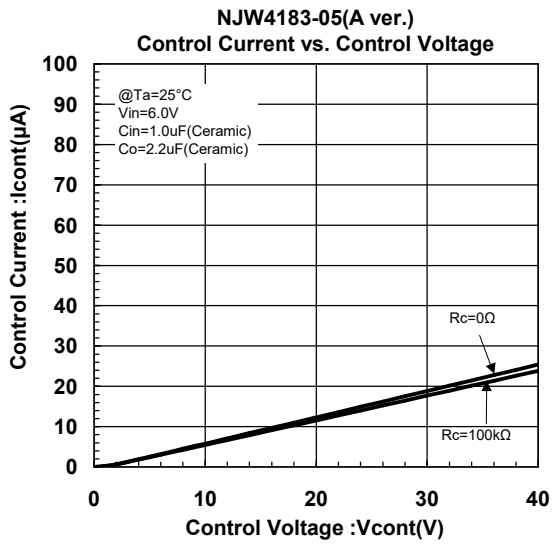
The recommended capacitance depends on the output voltage rank. Especially, low voltage regulator requires larger C_O value.

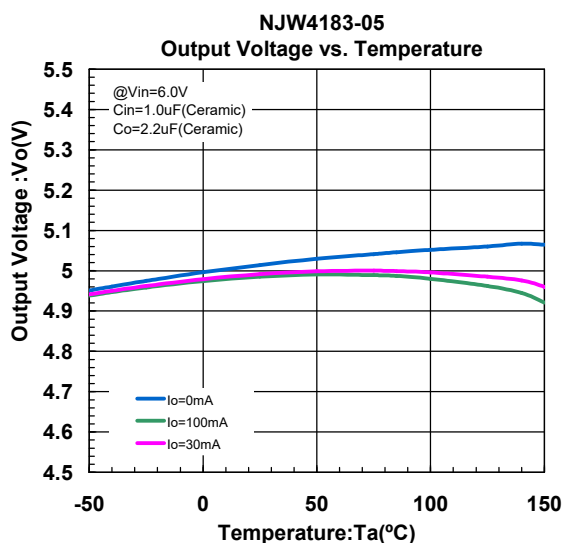
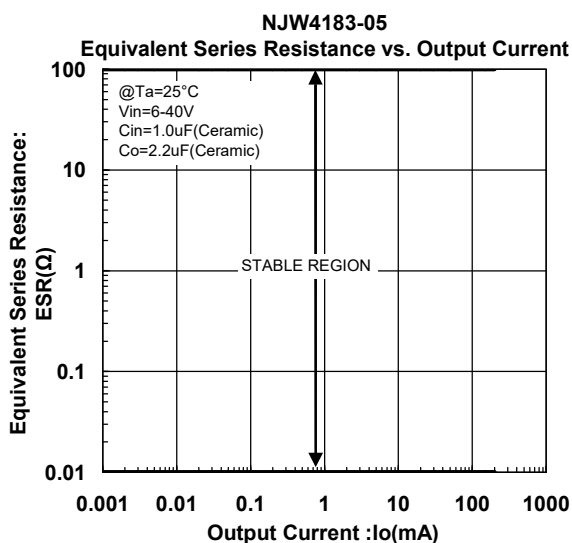
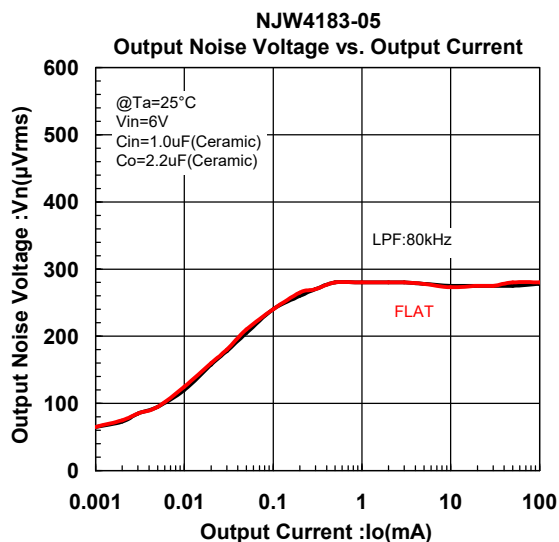
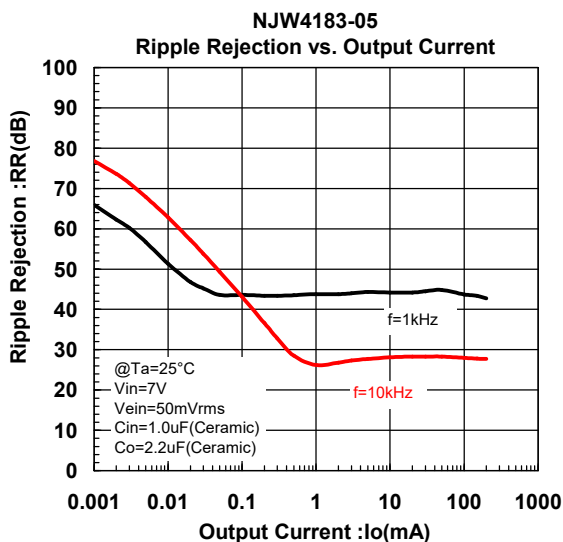
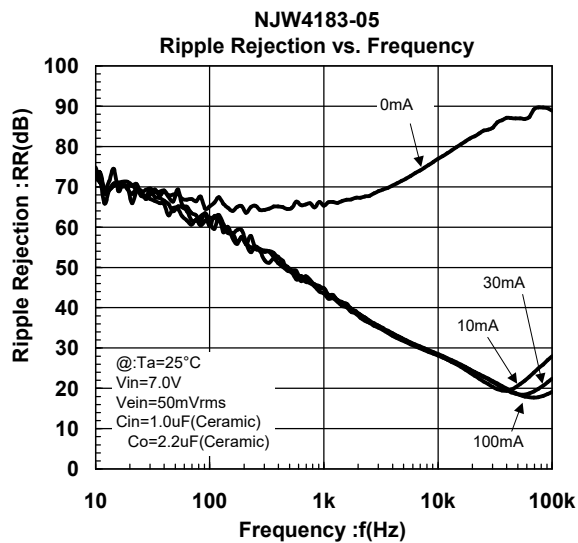
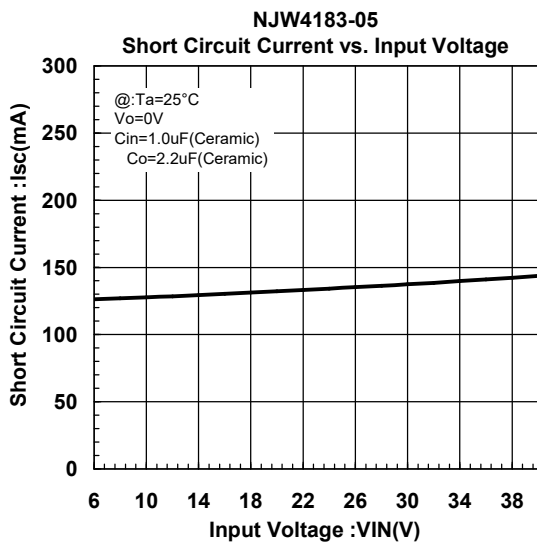
In addition, you should consider varied characteristics of capacitor (a frequency characteristic, a temperature characteristic, a DC bias characteristic and so on) and unevenness peculiar to a capacitor supplier enough.

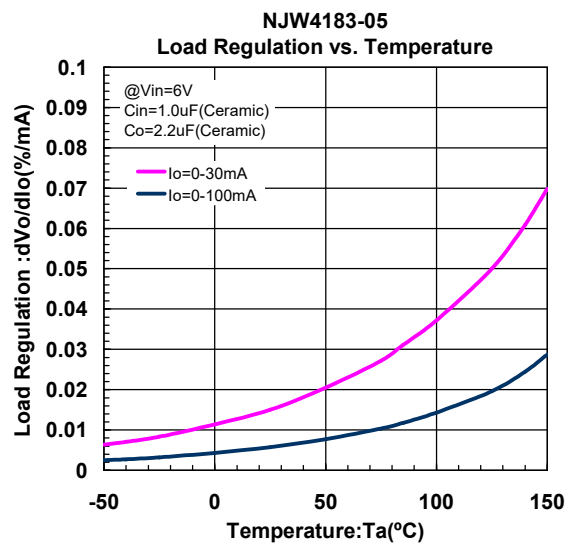
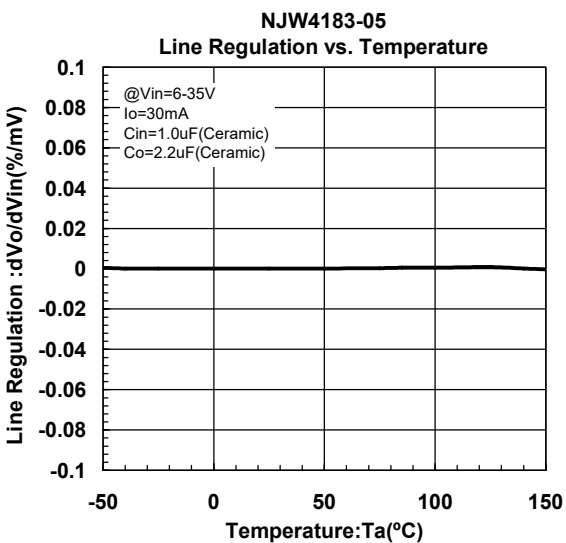
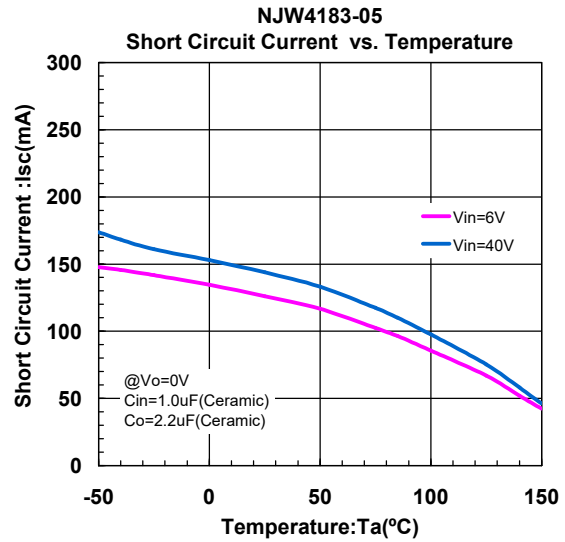
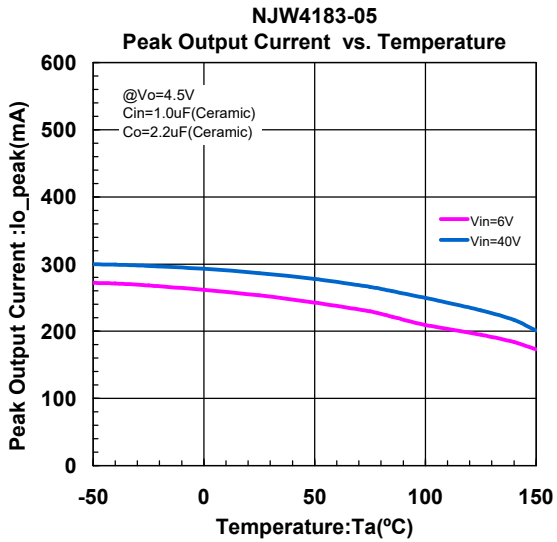
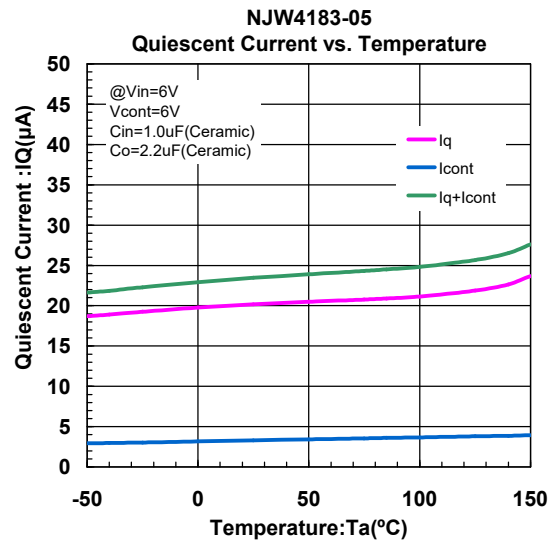
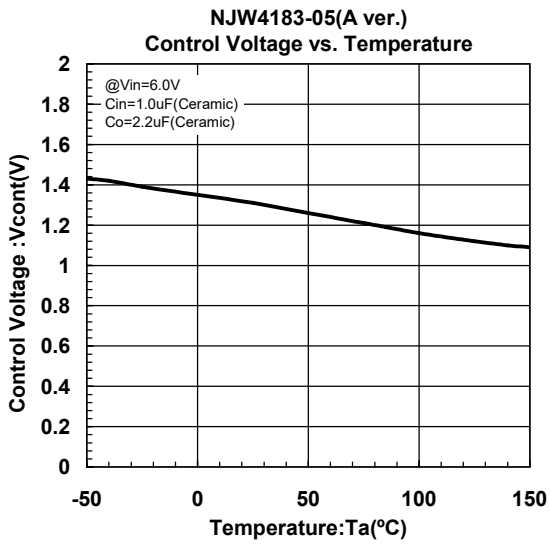
When selecting C_O , recommend that have withstand voltage margin against output voltage and superior temperature characteristic.

TYPICAL CHARACTERISTICS

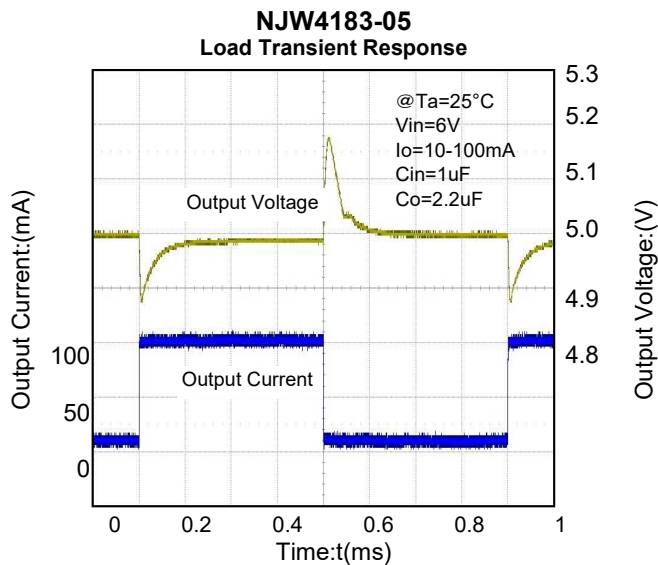
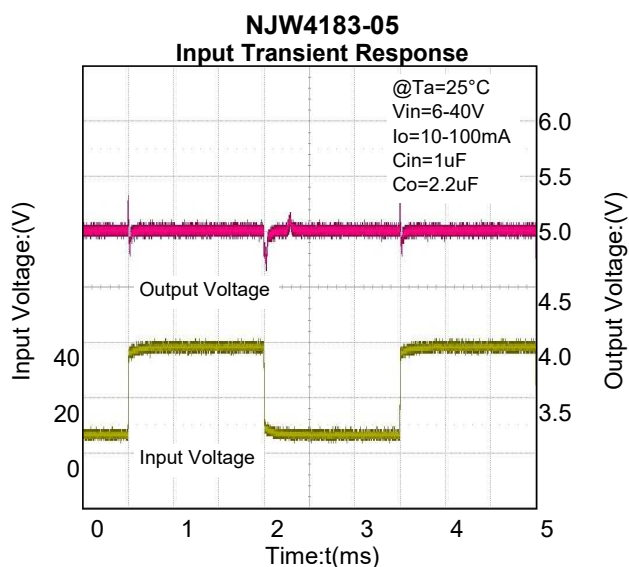
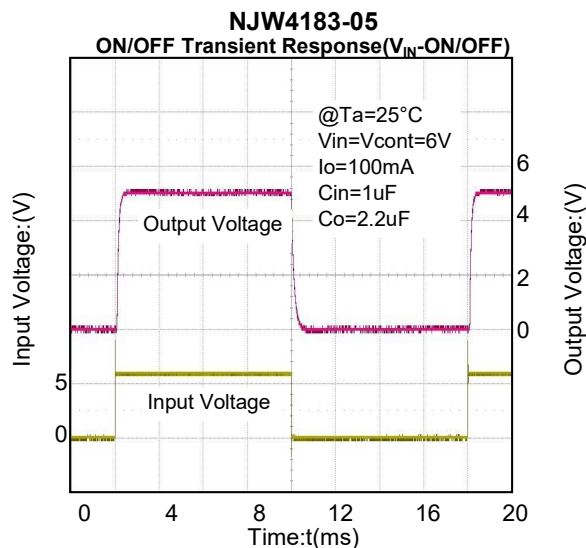
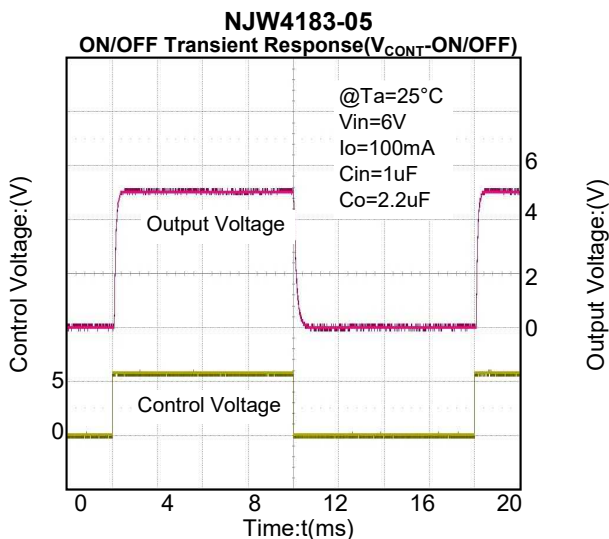
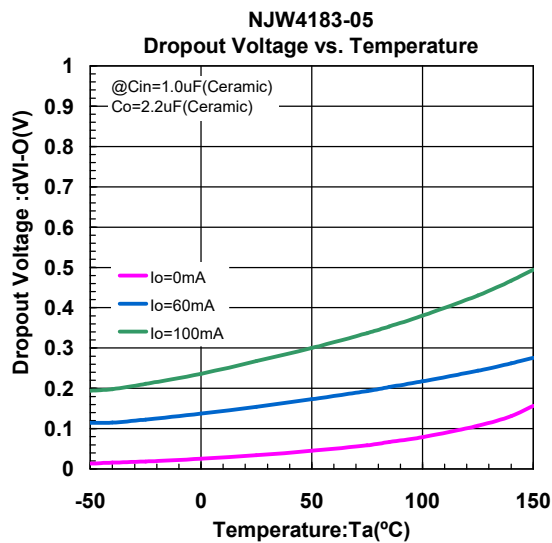
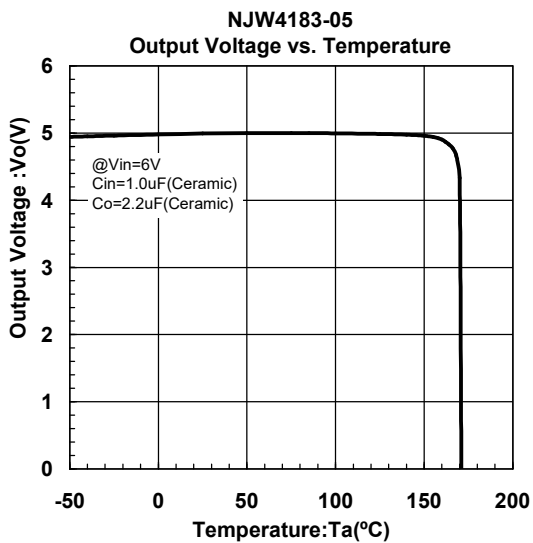








NJW4183



[CAUTION]

The specifications on this databook are only given for information, without any guarantee as regards either mistakes or omissions. The application circuits in this databook are described only to show representative usages of the product and not intended for the guarantee or permission of any right including the industrial rights.