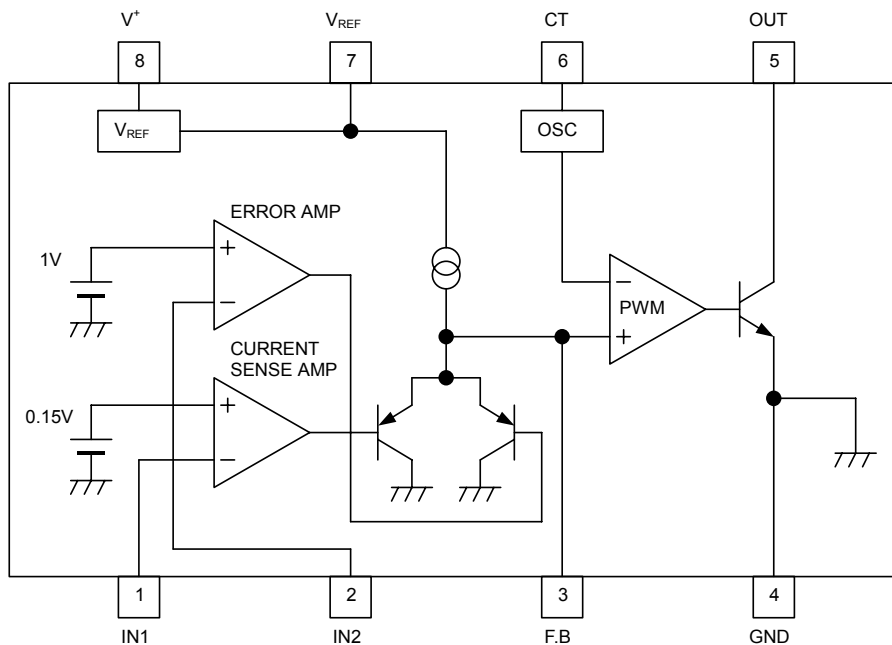




# NJM2340

## ■BLOCK DIAGRAM



## ■ABSOLUTE MAXIMUM RATINGS (Ta=25°C)

PARAMETER	SYMBOL	RATINGS	UNIT
Maximum Supply Voltage	V <sup>+</sup>	36	V
Output Sink Current	I <sub>SINK</sub>	15	mA
Power Dissipation	P <sub>D</sub>	(DMP8) 300 (MSOP8(TVSP8)) 320	mW
Operating Temperature Range	Topr	-40 to +85	°C
Storage Temperature Range	Tstg	-50 to +150	°C

## ■RECOMMENDED OPERATING CONDITIONS (Ta=25°C)

PARAMETER	SYMBOL	MIN.	MAX.	UNIT
Supply Voltage	V <sup>+</sup>	3.6	32	V
Oscillation Frequency	f <sub>osc</sub>	20	500	kHz
Oscillator Timing Resistance	R <sub>T</sub>	20	100	kΩ

## ■ ELECTRICAL CHARACTERISTICS (V<sup>+</sup>=12V, Ta=25°C)

### REFERENCE VOLTAGE BLOCK

PARAMETER	SYMBOL	TEST CONDITION	MIN.	TYP.	MAX.	UNIT
Output Voltage	V <sub>REF</sub>	I <sub>OR</sub> =1mA	1.98	2.00	2.02	V
Line Regulation	L <sub>INE</sub>	V <sup>+</sup> =3.6 ~ 32V, I <sub>OR</sub> =1mA	–	4.0	20	mV
Load Regulation	L <sub>OAD</sub>	I <sub>OR</sub> =0.1 ~ 5.0mA	–	6.0	40	mV

### OSCILLATOR BLOCK

PARAMETER	SYMBOL	TEST CONDITION	MIN.	TYP.	MAX.	UNIT
Oscillation Frequency	f <sub>OSC</sub>	R <sub>T</sub> =27kΩ, C <sub>T</sub> =220pF	315	350	385	kHz

### CURRENT SENSE AMPLIFIER BLOCK

PARAMETER	SYMBOL	TEST CONDITION	MIN.	TYP.	MAX.	UNIT
Reference Voltage1	V <sub>B1</sub>		144	150	156	mV
Input Bias Voltage1	I <sub>B1</sub>		–	20	100	nA
Maximum Output Voltage1 (F.B Pin)	V <sub>OM+1</sub>	R <sub>NF</sub> =100kΩ	–	V <sub>REF</sub> -0.15	–	V
	V <sub>OM-1</sub>	R <sub>NF</sub> =100kΩ	0.6	0.75	0.9	V
Maximum Source Current1 (F.B Pin)	I <sub>OM1</sub>	V <sub>OM1</sub> =0.5V	40	85	200	μA

### ERROR AMPLIFIER BLOCK

PARAMETER	SYMBOL	TEST CONDITION	MIN.	TYP.	MAX.	UNIT
Reference Voltage2	V <sub>B2</sub>		0.985	1.000	1.015	V
Input Bias Voltage2	I <sub>B2</sub>		–	20	100	nA
Maximum Output Voltage2 (F.B Pin)	V <sub>OM+2</sub>	R <sub>NF</sub> =100kΩ	–	V <sub>REF</sub> -0.15	–	V
	V <sub>OM-2</sub>	R <sub>NF</sub> =100kΩ	0.6	0.75	0.9	V
Maximum Source Current2 (F.B Pin)	I <sub>OM2</sub>	V <sub>OM2</sub> =0.5V	40	85	200	μA

### PWM COMPARETATE BLOCK

PARAMETER	SYMBOL	TEST CONDITION	MIN.	TYP.	MAX.	UNIT
Input Threshold Voltage (F.B Pin)	V <sub>TH0</sub>	duty·cycle=0% (note)	V <sub>OM-</sub>	1.0	1.1	V
Input Threshold Voltage (F.B Pin)	V <sub>TH100</sub>	duty·cycle=100% (note)	–	1.4	–	V

### OUTPUT BLOCK

PARAMETER	SYMBOL	TEST CONDITION	MIN.	TYP.	MAX.	UNIT
L Output Voltage (OUT Pin)	V <sub>OL</sub>	I <sub>SINK</sub> =10mA	–	0.5	0.7	V

### GENERAL CHARACTERISTICS

PARAMETER	SYMBOL	TEST CONDITION	MIN.	TYP.	MAX.	UNIT
Average Quiescent Current	I <sub>CCAV</sub>	R <sub>L</sub> =∞, duty·cycle=50%	–	1.5	2.0	mA

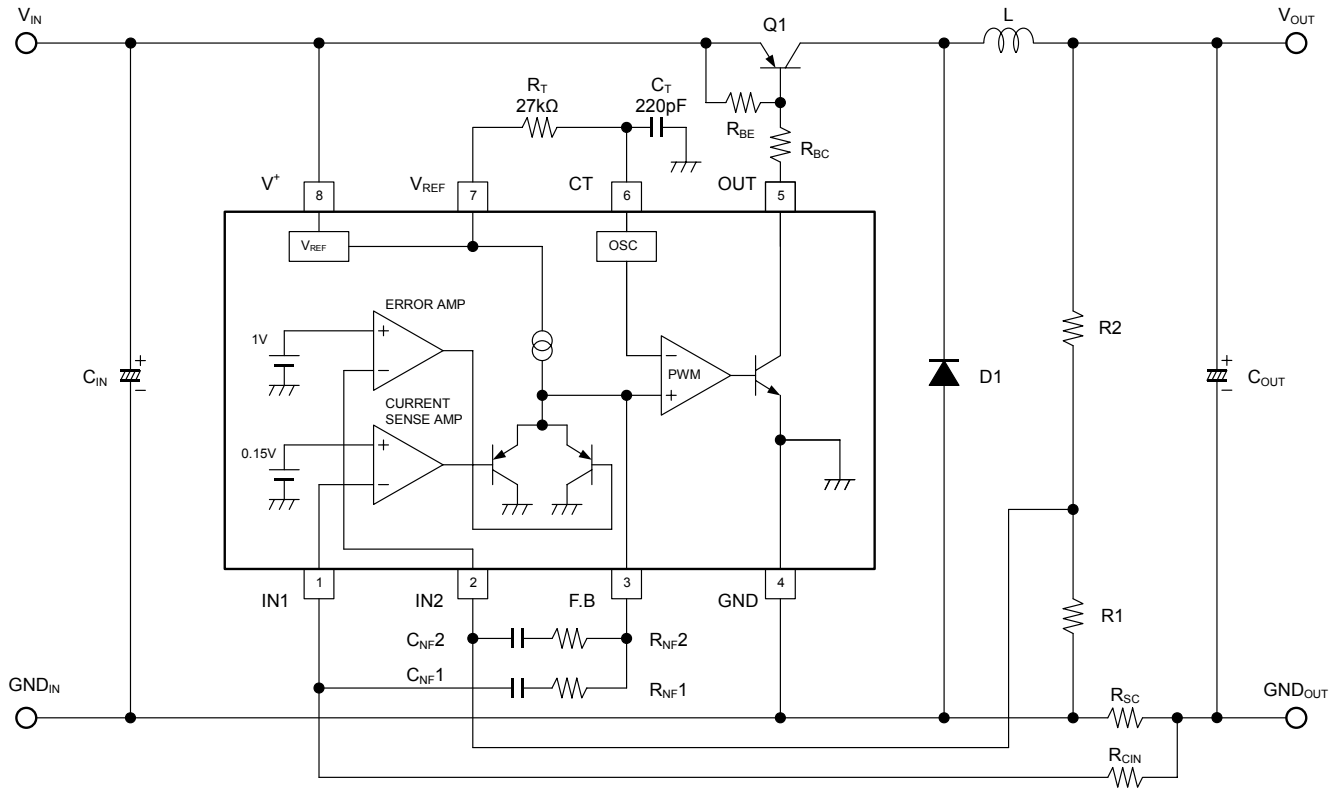
(note) Duty·Cycle is defined as follows:

Duty·Cycle=0%: IC output transistor is OFF.

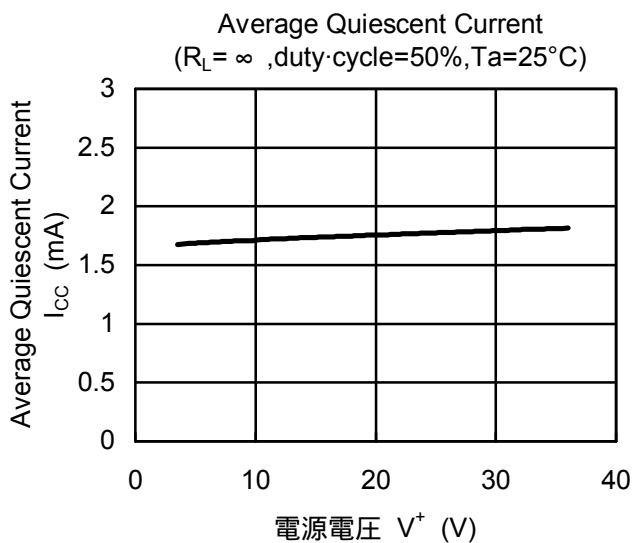
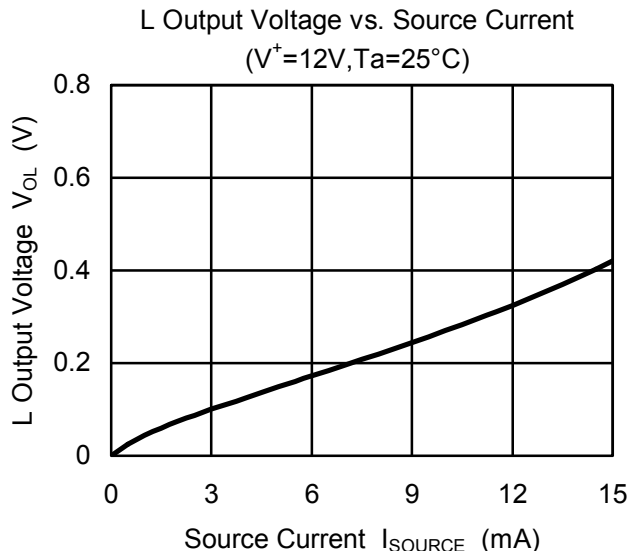
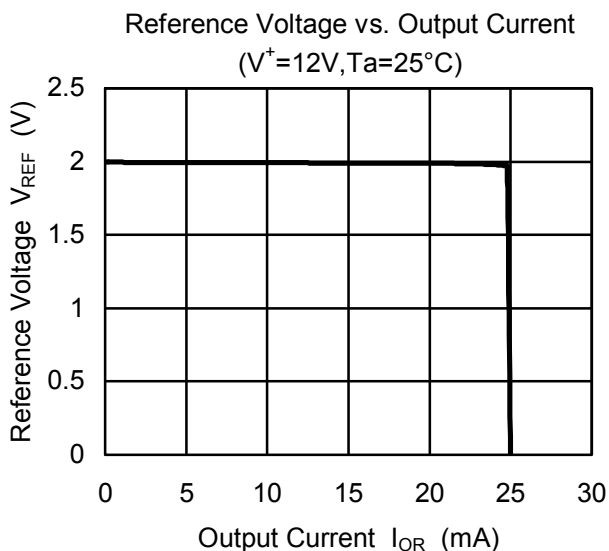
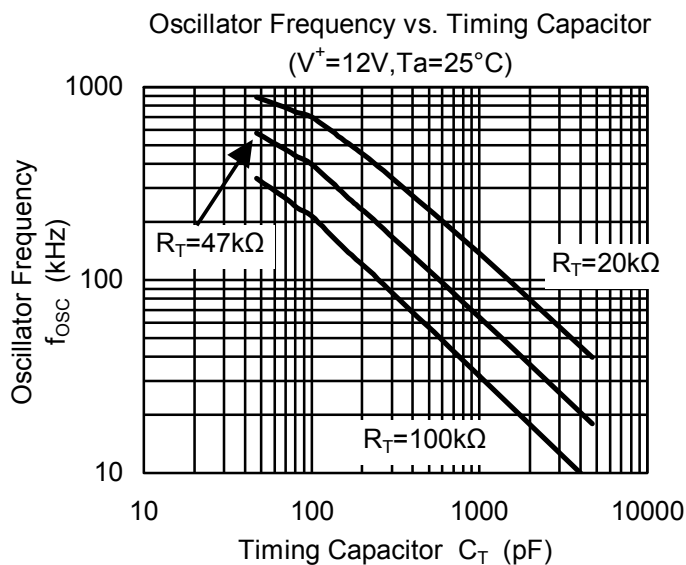
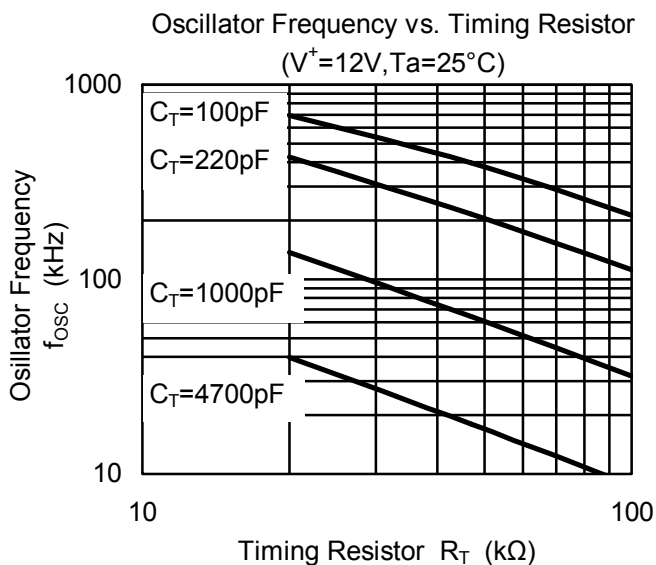
Duty·Cycle=100%: IC output transistor is ON.

# NJM2340

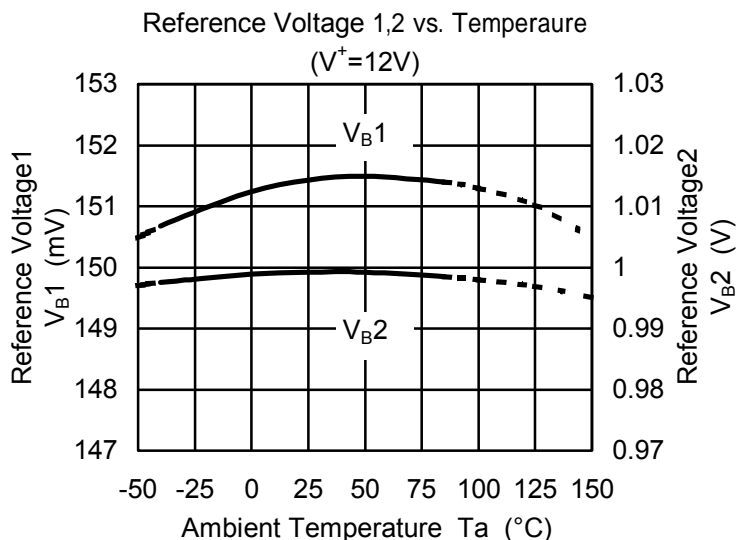
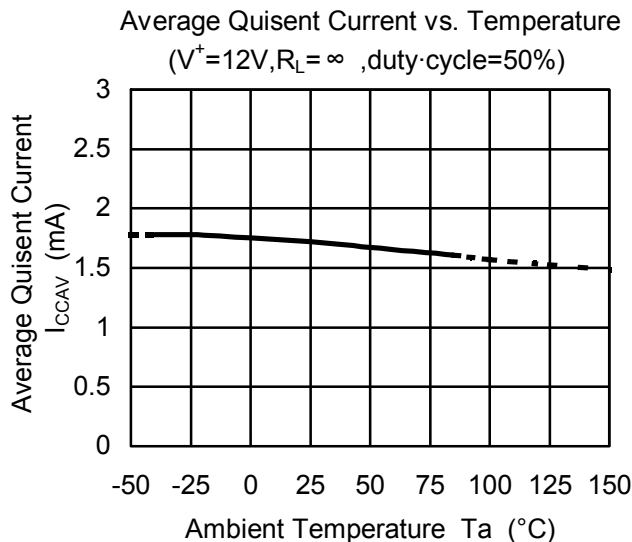
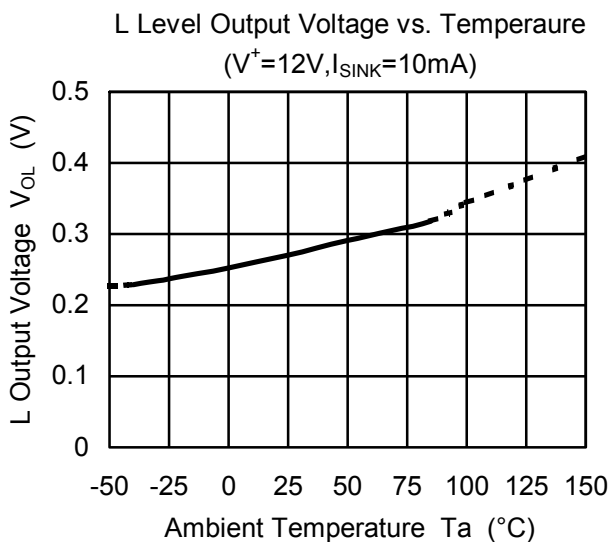
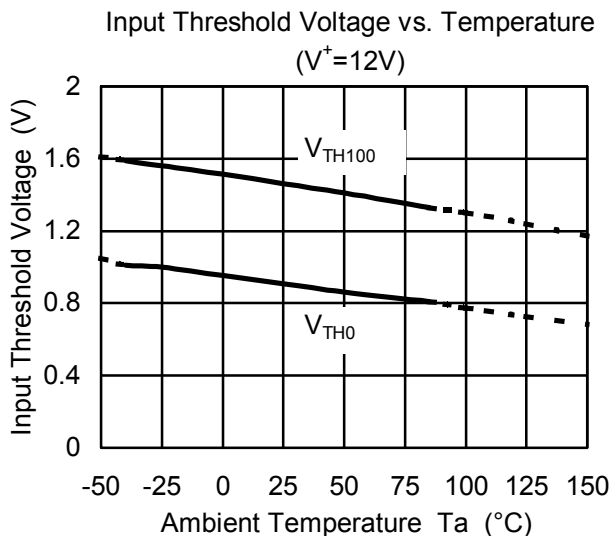
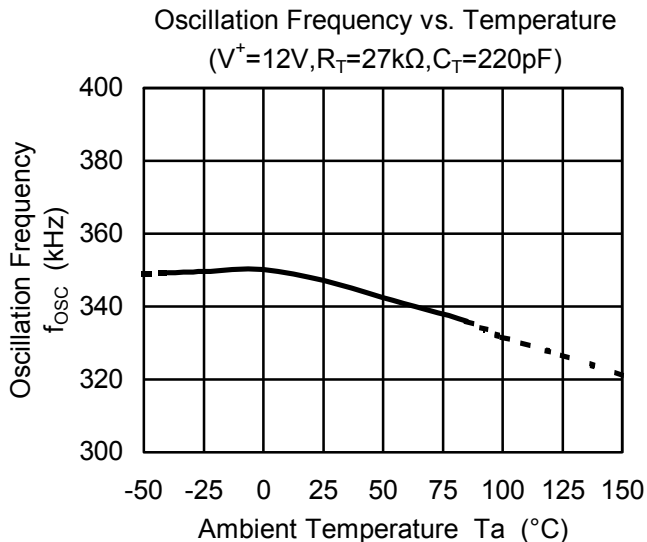
## ■ TYPICAL APPLICATION



## ■ TYPICAL CHARACTERISTICS



## ■ TYPICAL CHARACTERISTICS



[CAUTION]  
The specifications on this databook are only given for information, without any guarantee as regards either mistakes or omissions. The application circuits in this databook are described only to show representative usages of the product and not intended for the guarantee or permission of any right including the industrial rights.