



MPQ3326B

16-Channel, 80mA/Ch, LED Driver
with Separated PWM/Analog Dimming
and I²C (Default Enable), AEC-Q100 Qualified

DESCRIPTION

The MPQ3326B is a 16-channel LED driver that can operate from a wide 4.5V to 16V input voltage (V_{IN}) range. The MPQ3326B applies 16 internal current sources in each LED string terminal. The LED current (I_{LED}) of each channel is set by an external current-setting resistor. The maximum current for each channel is 80mA.

The MPQ3326B integrates an I²C interface with up to 10 configurable I²C addresses via an external resistor. This means the MPQ3326B can support up to 10 cascaded ICs to drive the LED array. Each channel can be enabled or disabled through the I²C.

The MPQ3326B employs both separated pulse-width modulation (PWM) dimming and analog dimming for each LED channel, as well as 12-bit PWM dimming and 6-bit analog dimming for each channel. The I_{LED} ramping rate and phase shift can be configured to reduce EMI.

The MPQ3326B can output a refresh signal from the RFSH/FLT pin. The refresh signal frequency ($f_{REFRESH}$) can be set via the I²C.

Full protection features include LED open protection, LED short protection, and over-temperature protection (OTP). The device also features a fault indicator. If a protection is triggered, then the RFSH/FLT pin is pulled low, and the corresponding fault register is set.

The MPQ3326B is AECQ-100 qualified, and is available in a QFN-24 (4mmx4mm) package.

FEATURES

- Wide 4.5V to 16V Input Voltage (V_{IN}) Range
- 16 Channels, Max 80mA/Ch
- LED Current (I_{LED}) Configured via External Resistor
- 6-Bit Analog Dimming for Each Channel
- 12-Bit Pulse-Width Modulation (PWM) Dimming for Each Channel
- Selectable 220Hz, 250Hz, 280Hz, or 330Hz PWM Dimming Frequency (f_{PWM})
- Refresh Signal Output
- I²C Interface
- 10 Addresses Configurable via External Resistor
- Configurable I_{LED} Slew Rate
- 40 μ s Phase Shift
- Fault Indicator
- LED Open Protection
- LED Short Protection with Configurable Threshold
- Under-Voltage Lockout (UVLO) Protection
- Over-Temperature Protection (OTP)
- Available in a QFN-24 (4mmx4mm) Package
- Available in a Wettable Flank Package
- Available in AEC-Q100 Grade 1

APPLICATIONS

- Automotive Lights
- Automotive Displays
- Instruments Clusters
- General Industrial Displays

All MPS parts are lead-free, halogen-free, and adhere to the RoHS directive. For MPS green status, please visit the MPS website under Quality Assurance. "MPS", the MPS logo, and "Simple, Easy Solutions" are trademarks of Monolithic Power Systems, Inc. or its subsidiaries.

TYPICAL APPLICATION

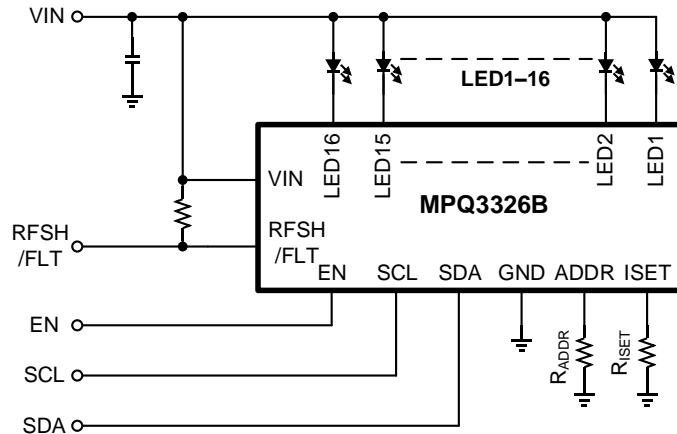


Figure 1: Typical Application

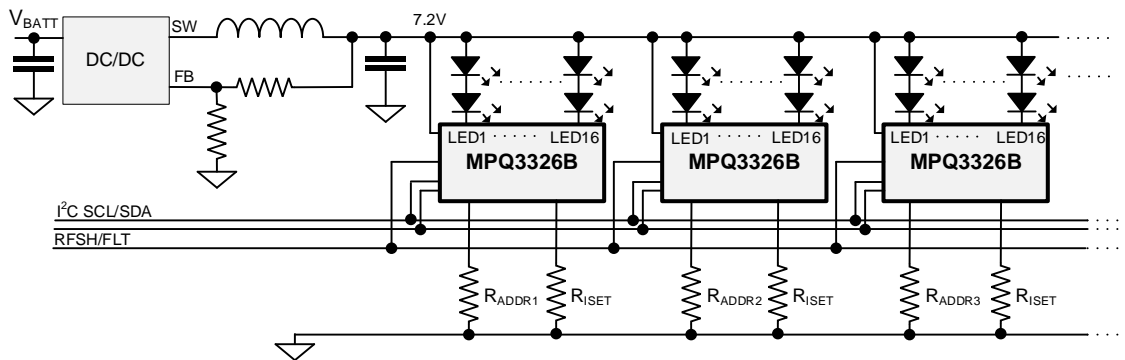


Figure 2: System Application with 2 LEDs in Series

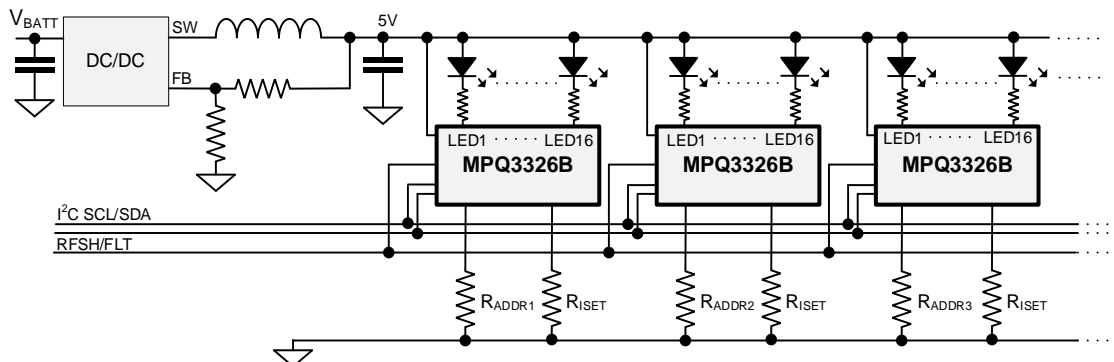


Figure 3: System Application with 1 LED and Resistor in Series

ORDERING INFORMATION

Part Number*	Package	Top Marking	MSL Level**
MPQ3326BGRE-AEC1***	QFN-24 (4mmx4mm)	See Below	1

* For Tape & Reel, add suffix -Z (e.g. MPQ3326BGRE-AEC1-Z).

** Moisture Sensitivity Level Rating

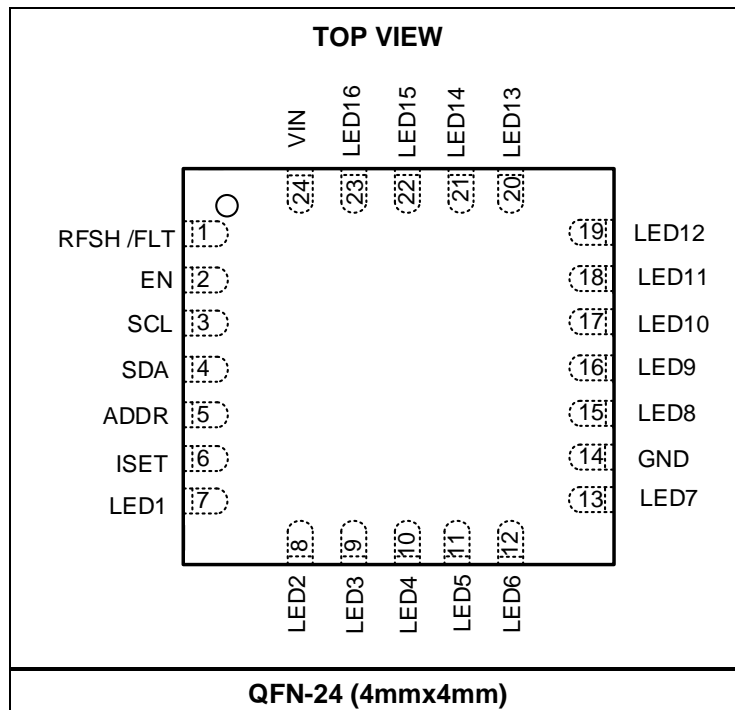
*** Wettable Flank

TOP MARKING

MPSYWW
M3326B
LLLLLL
E

MPS: MPS prefix
 Y: Year code
 WW: Week code
 M3326B: Part number
 LLLLLL: Lot number
 E: Wettable Flank

PACKAGE REFERENCE



PIN FUNCTIONS

Pin #	Name	Description
1	RFSH/FLT	Refresh signal output or fault flag. If the FLTEN bit = 0, then the RFSH/FLT pin outputs a synchronized signal that is set by the FRFSH[9:0] register. If FLTEN = 1, RFSH/FLT indicates fault conditions and is pulled low if a fault occurs.
2	EN	Enable control. Pull the EN pin high to turn the LED driver on; pull EN low to turn it off.
3	SCL	I²C interface clock input.
4	SDA	I²C interface data input.
5	ADDR	I²C address setting. Configure the I ² C addresses by attaching different resistors between the ADDR and GND pins. ADDR can set the 4 least significant bits (LSB) of the I ² C address. There are 10 configurable addresses.
6	ISET	LED current setting. Connect a current-setting resistor between the ISET and GND pins to configure the current in each LED string.
7	LED1	LED channel 1 current Input. Connect the LED channel 1 cathode to this pin.
8	LED2	LED channel 2 current Input. Connect the LED channel 2 cathode to this pin.
9	LED3	LED channel 3 current Input. Connect the LED channel 3 cathode to this pin.
10	LED4	LED channel 4 current Input. Connect the LED channel 4 cathode to this pin.
11	LED5	LED channel 5 current Input. Connect the LED channel 5 cathode to this pin.
12	LED6	LED channel 6 current Input. Connect the LED channel 6 cathode to this pin.
13	LED7	LED channel 7 current Input. Connect the LED channel 7 cathode to this pin.
14	GND	Ground.
15	LED8	LED channel 8 current Input. Connect the LED channel 8 cathode to this pin.
16	LED9	LED channel 9 current Input. Connect the LED channel 9 cathode to this pin.
17	LED10	LED channel 10 current Input. Connect the LED channel 10 cathode to this pin.
18	LED11	LED channel 11 current Input. Connect the LED channel 11 cathode to this pin.
19	LED12	LED channel 12 current Input. Connect the LED channel 12 cathode to this pin.
20	LED13	LED channel 13 current Input. Connect the LED channel 13 cathode to this pin.
21	LED14	LED channel 14 current Input. Connect the LED channel 14 cathode to this pin.
22	LED15	LED channel 15 current Input. Connect the LED channel 15 cathode to this pin.
23	LED16	LED channel 16 current Input. Connect the LED channel 16 cathode to this pin.
24	VIN	Power supply input. The VIN pin supplies power to the IC. Connect a capacitor between the VIN and GND pins.

ABSOLUTE MAXIMUM RATINGS ⁽¹⁾

Input voltage (V _{IN})	-0.3V to +22V
V _{LED1} to V _{LED16}	-0.5V to +22V
All other pins	-0.3V to +5V
Junction temperature	150°C
Lead temperature	260°C
Storage temperature	-65°C to 150°C
Continuous power dissipation (T _A = 25°C) ⁽²⁾	
QFN-24 (4mmx4mm)	2.97W

ESD Ratings

Human body model (HBM).....	Class 1C ⁽³⁾
Charged device model (CDM).....	Class C2b ⁽⁴⁾

Recommended Operating Conditions

V _{IN}	4.5V to 16V
Operating junction temp (T _J) ⁽⁵⁾	
.....	-40°C to +125°C

Thermal Resistance	θ_{JA}	θ_{JC}
QFN-24 (4mmx4mm)		
JESD51-7 ⁽⁶⁾	42	9.... °C/W

Notes:

- 1) Exceeding these ratings may damage the device.
- 2) The maximum allowable power dissipation is a function of the maximum junction temperature T_J (MAX), the junction-to-ambient thermal resistance θ_{JA}, and the ambient temperature T_A. The maximum allowable continuous power dissipation at any ambient temperature is calculated by P_D (MAX) = (T_J (MAX) - T_A) / θ_{JA}. Exceeding the maximum allowable power dissipation can generate an excessive die temperature, which may cause device to go into thermal shutdown. Internal thermal shutdown circuitry protects the device from permanent damage.
- 3) Per AEC-Q100-002.
- 4) Per AEC-Q100-011.
- 5) Operating devices at a junction temperature up to 150°C is possible. Please contact an MPS FAE for details.
- 6) Measured on JESD51-7, 4-layer PCB. The values given in this table are only valid for comparison with other packages and cannot be used for design purposes. These values are calculated in accordance with JESD51-7, and simulated on a specified JEDEC board. They do not represent the performance obtained in an actual application. The θ_{JC} value shows the thermal resistance from the junction to case bottom.

ELECTRICAL CHARACTERISTICS

$V_{IN} = 5V$, $V_{EN} = 5V$, $T_J = -40^{\circ}C$ to $+125^{\circ}C$, typical values are tested at $T_J = 25^{\circ}C$, unless otherwise noted.

Parameter	Symbol	Condition	Min	Typ	Max	Units
Input Supply Voltage						
Input voltage	V_{IN}		4.5		16	V
Quiescent supply current	I_Q				5	mA
Shutdown supply current	I_{ST}	$V_{EN} = 0V$, $V_{IN} = 16V$			2	μA
V_{IN} under-voltage lockout (UVLO) rising threshold	$V_{IN_UVLO_RISING}$	Rising edge	3.5	3.7	3.9	V
V_{IN} UVLO falling threshold	$V_{IN_UVLO_FALLING}$	Falling edge	3.2	3.4	3.6	V
Enable (EN)						
EN rising threshold	V_{EN_RISING}	V_{EN} rising	2.1			V
EN falling threshold	$V_{EN_FALLING}$	V_{EN} falling			0.8	V
EN pull-down resistance	R_{EN}			1		M Ω
RFSH/FLT						
Refresh signal frequency	$f_{REFRESH}$	FRFSH[9:0] = 0x1A9, FPWM[1:0] = 01	285	300	315	Hz
RFSH/FLT pull-down resistance	$R_{RFSH/FLT}$	FLTEN = 1, a fault has occurred			100	Ω
LED Regulator						
ISET voltage	V_{ISET}	$T_A = 25^{\circ}C$	1.176	1.2	1.224	V
LED current 1	I_{LED1}	$R_{ISET} = 24k\Omega$, $I_{CHx}[5:0] = 0x3F$	-5%	50	+5%	mA
		$R_{ISET} = 24k\Omega$, $I_{CHx}[5:0] = 0x3F$, $T_A = 25^{\circ}C$	-3%	50	+3%	mA
LED current 2	I_{LED2}	$R_{ISET} = 15k\Omega$, $I_{CHx}[5:0] = 0x3F$	-5%	80	+5%	mA
		$R_{ISET} = 15k\Omega$, $I_{CHx}[5:0] = 0x3F$, $T_A = 25^{\circ}C$	-3%	80	+3%	mA
Current sink headroom	V_{LEDx}	$I_{LED} = 50mA$		200	300	mV
		$I_{LED} = 80mA$		380	480	mV
Dimming						
Pulse-width modulation (PWM) frequency	f_{PWM}	FPWM[1:0] = 01	240	250	260	Hz
PWM duty step	t_{PWM}	12-bit resolution, $f_{PWM} = 250Hz$		1		μs
Phase shift	t_{DELAY}	PS_EN = 1		40		μs
LED current step		$I_{LED} = 80mA$, analog dimming step		1.25		mA
LED current slew rate during PWM dimming		SLEW[1:0] = 01, rising edge		5		μs
		SLEW[1:0] = 11, rising edge		20		μs
Protection						
LED short string protection threshold	V_{SLP}	STH[1:0] = 01	2.85	3	3.15	V
LED short string protection time	t_{SLP}	$V_{LEDx} > STH[1:0]$		4		ms
LED short string protection hiccup time	t_{SLP_HICCUP}			1		ms

ELECTRICAL CHARACTERISTICS (continued)

V_{IN} = 5V, V_{EN} = 5V, T_J = -40°C to +125°C, typical values are tested at T_J = 25°C, unless otherwise noted.

Parameter	Symbol	Condition	Min	Typ	Max	Units
LED short string protection hiccup detection time	t _{SLEP_DET}			32		μs
LED open string protection threshold	V _{OLP}			100	150	mV
LED open string protection time	t _{OLP}	V _{LEDx} < 100mV		4		ms
LED open string protection hiccup time	t _{OLP_HICCUP}			1		ms
LED open string protection hiccup detection time	t _{OLP_DET}			32		μs
Thermal shutdown threshold ⁽⁷⁾	T _{SD}			170		°C
Thermal shutdown hysteresis ⁽⁷⁾	T _{SD_HYS}			20		°C
I²C Interface						
Logic-low input voltage	V _{IN_LOW}		0		0.8	V
Logic-high input voltage	V _{IN_HIGH}		1.5			V
Logic-low output voltage ⁽⁷⁾	V _{OUT_LOW}	I _{LOAD} = 3mA			0.4	V
SCL clock frequency ⁽⁷⁾	f _{SCL}		10		1000	kHz
Bus free time ⁽⁷⁾	t _{BUS_FREE}	Between stop and start conditions	0.5			μs
Holding time after (repeated) start condition ⁽⁷⁾	t _{HOLD_START}	After this period, the first clock is generated	0.26			μs
Repeated start condition set-up time ⁽⁷⁾	t _{SU_START}		0.26			μs
Stop condition set-up time ⁽⁷⁾	t _{SU_STOP}		0.26			μs
Data hold time ⁽⁷⁾	t _{HOLD_DATA}		0			ns
Data set-up time ⁽⁷⁾	t _{SU_DATA}		50			ns
Clock low timeout ⁽⁷⁾	t _{TIMEOUT}		25		35	ms
Clock low time ⁽⁷⁾	t _{LOW}		0.5			μs
Clock high time ⁽⁷⁾	t _{HIGH}		0.26			μs
Clock/data fall time ⁽⁷⁾	t _{FALL}				120	ns
Clock/data rise time ⁽⁷⁾	t _{RISE}				120	ns

Note:

7) Guaranteed by characterization. Not tested in production.

I²C INTERFACE TIMING DIAGRAM

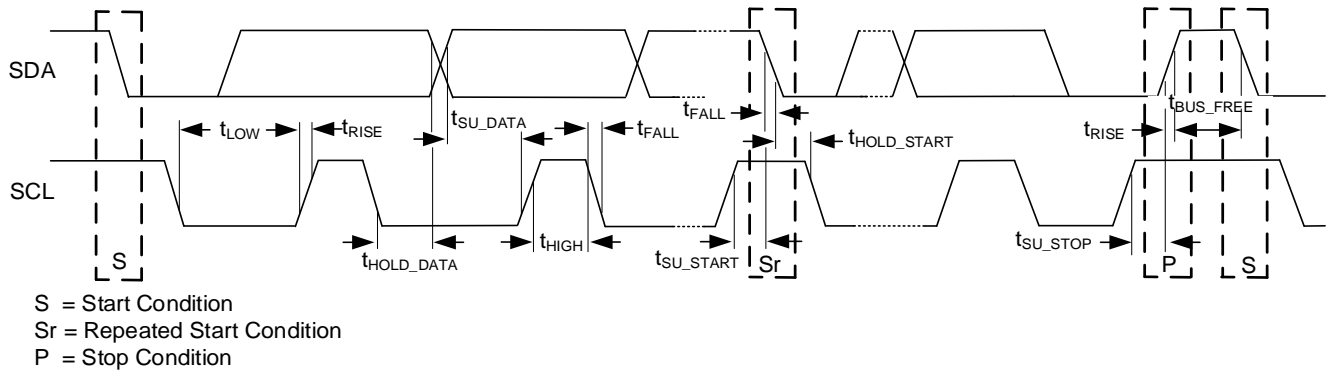


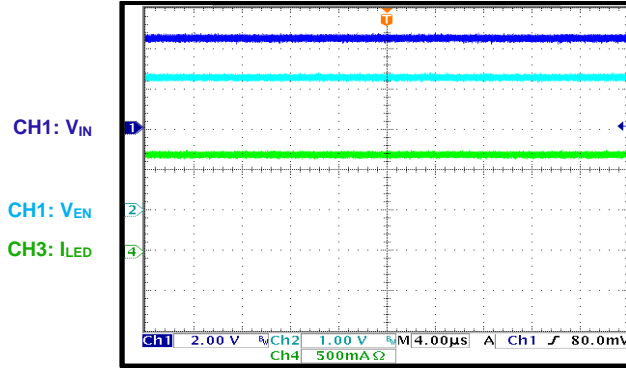
Figure 4: I²C Interface Timing Diagram

TYPICAL PERFORMANCE CHARACTERISTICS

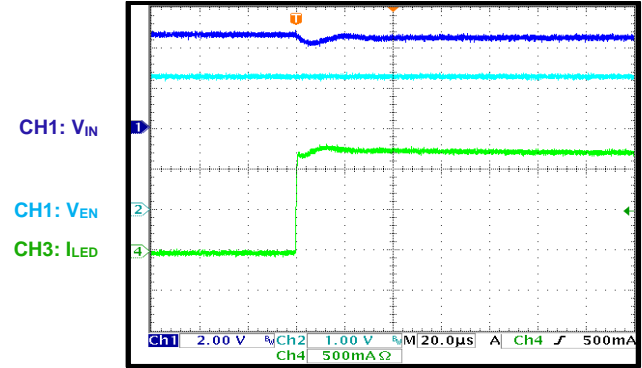
V_{IN} = 4.5V, I_{LED} = 80mA per string, LEDx = 16P1S, T_A = 25°C, unless otherwise noted.

Steady State

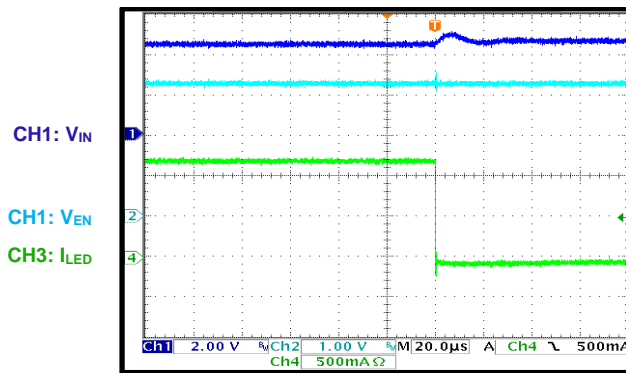
V_{IN} = 4.5V, 16P1S, 80mA/string



Start-Up via the EN Bit

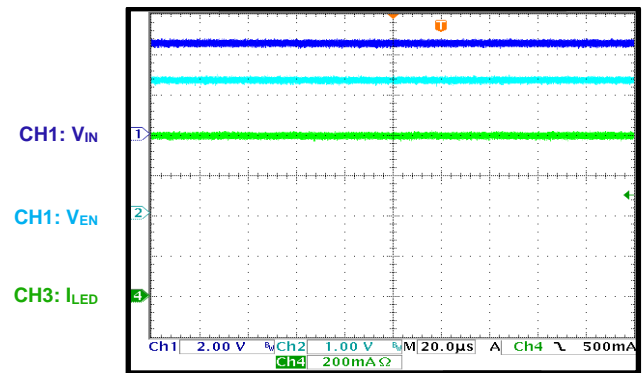


Shutdown via the EN Bit



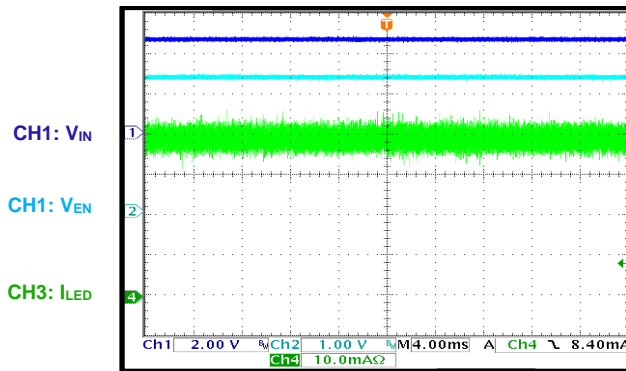
Analog Dimming

50mA/string



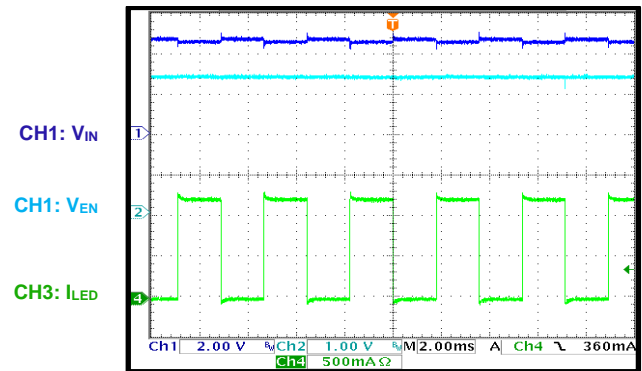
Analog Dimming

2.5mA/string



PWM Dimming

PWM duty = 50%

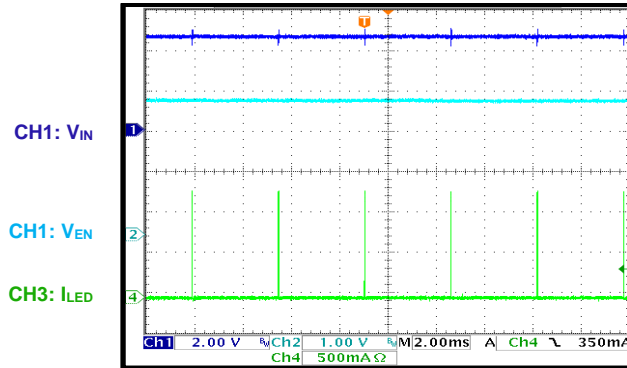


TYPICAL PERFORMANCE CHARACTERISTICS (continued)

V_{IN} = 4.5V, I_{LED} = 80mA per string, LED = 16P1S, T_A = 25°C, unless otherwise noted.

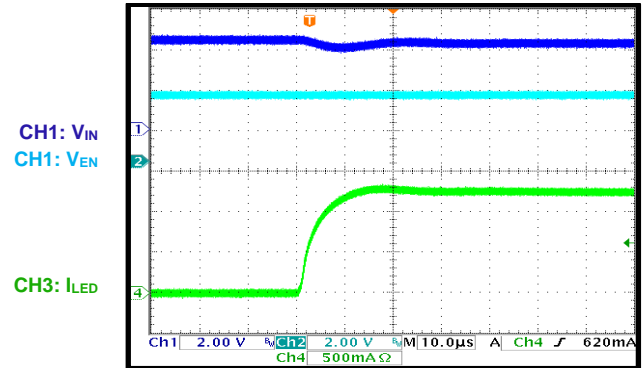
PWM Dimming

PWM duty = 0.5%



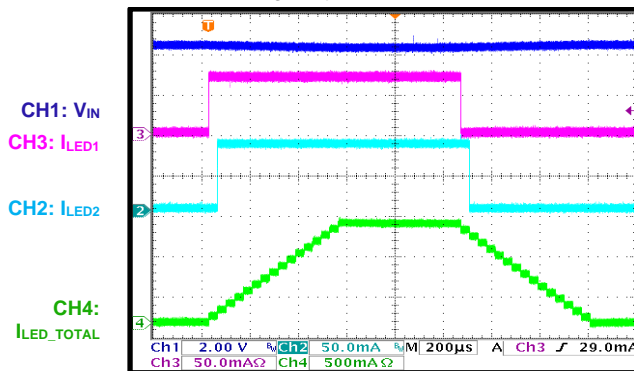
Slew Rate

PWM dimming slew rate = 5μs



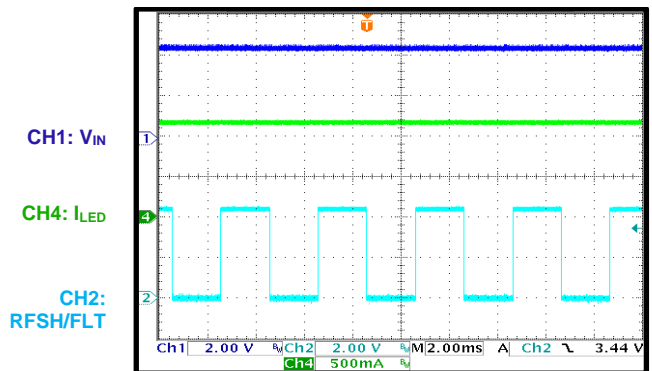
Phase Shift

PWM dimming duty = 20%



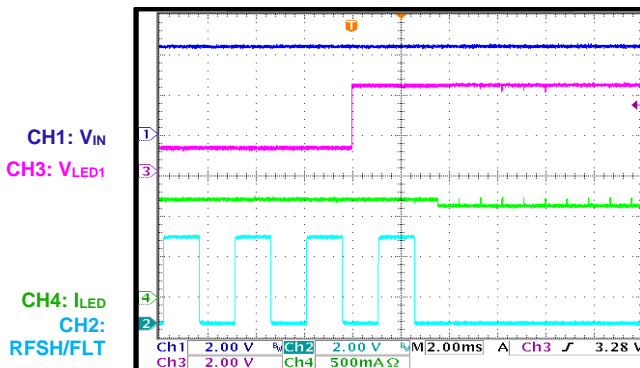
Refresh Function

f_{PWM} = 250Hz, RFRSH[9:0] = 0x1FF



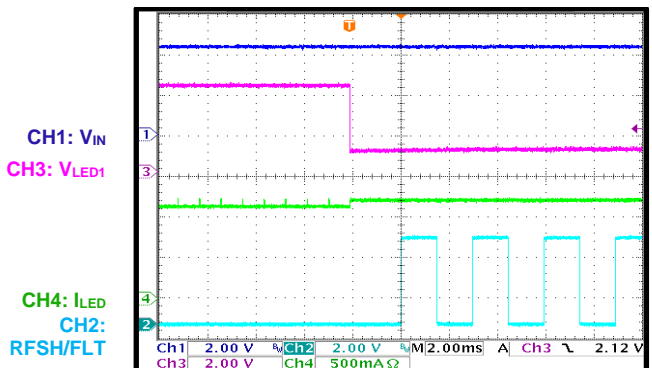
LEDx Short Entry

RFRSH/FLT fault enabled, f_{PWM} = 330Hz, RFRSH[9:0] = 0x1FF



LEDx Short Recovery

RFRSH/FLT fault enabled, f_{PWM} = 330Hz, RFRSH[9:0] = 0x1FF

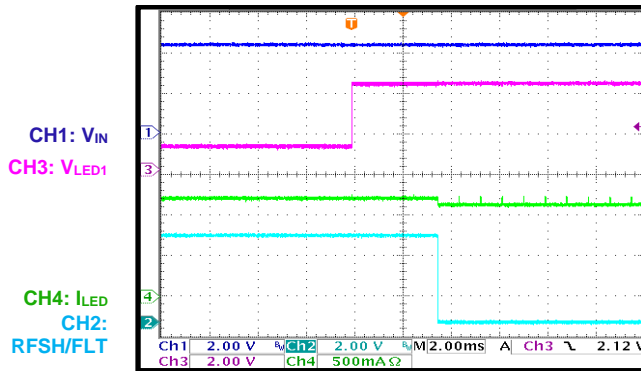


TYPICAL PERFORMANCE CHARACTERISTICS (continued)

$V_{IN} = 4.5V$, $I_{LED} = 80mA$ per string, LED = 16P1S, $T_A = 25^\circ C$, unless otherwise noted.

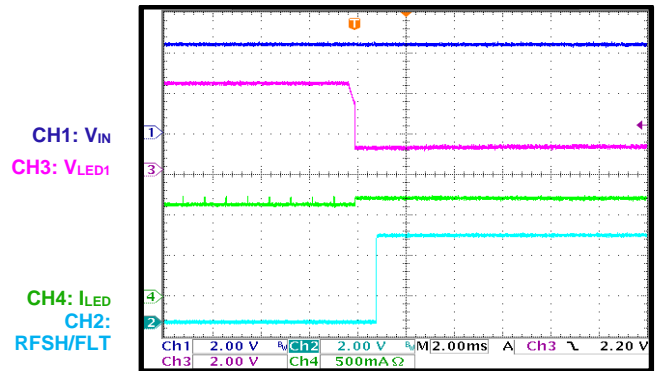
LEDx Short Entry

RFSH/FLT fault enabled, $f_{PWM} = 250Hz$,
RFRSH[9:0] = 0x000



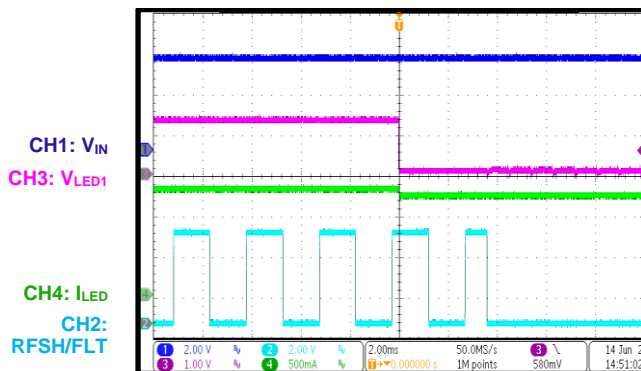
LEDx Short Recovery

RFSH/FLT fault enabled, $f_{PWM} = 250Hz$,
RFRSH[9:0] = 0x000



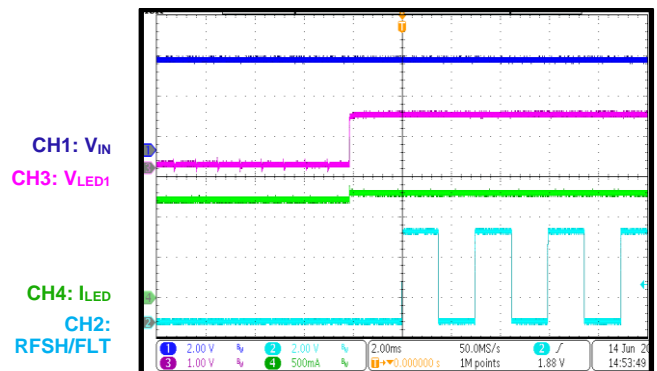
LEDx Open Entry

RFSH/FLT fault enabled, $f_{PWM} = 330Hz$,
RFRSH[9:0] = 0x1FF



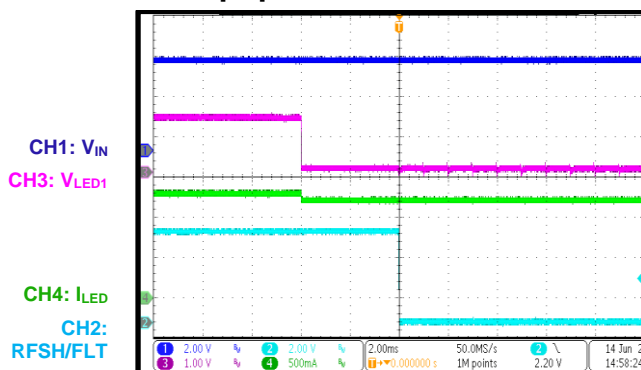
LEDx Open Recovery

RFSH/FLT fault enabled, $f_{PWM} = 330Hz$,
RFRSH[9:0] = 0x1FF



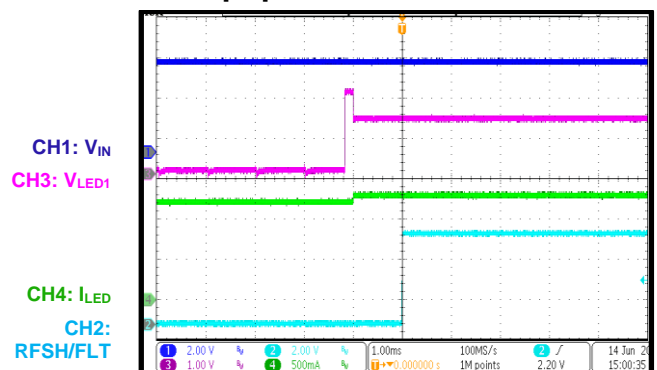
LEDx Open Entry

RFSH/FLT fault enabled, $f_{PWM} = 250Hz$,
RFRSH[9:0] = 0x000



LEDx Open Recovery

RFSH/FLT fault enabled, $f_{PWM} = 250Hz$,
RFRSH[9:0] = 0x000



FUNCTIONAL BLOCK DIAGRAM

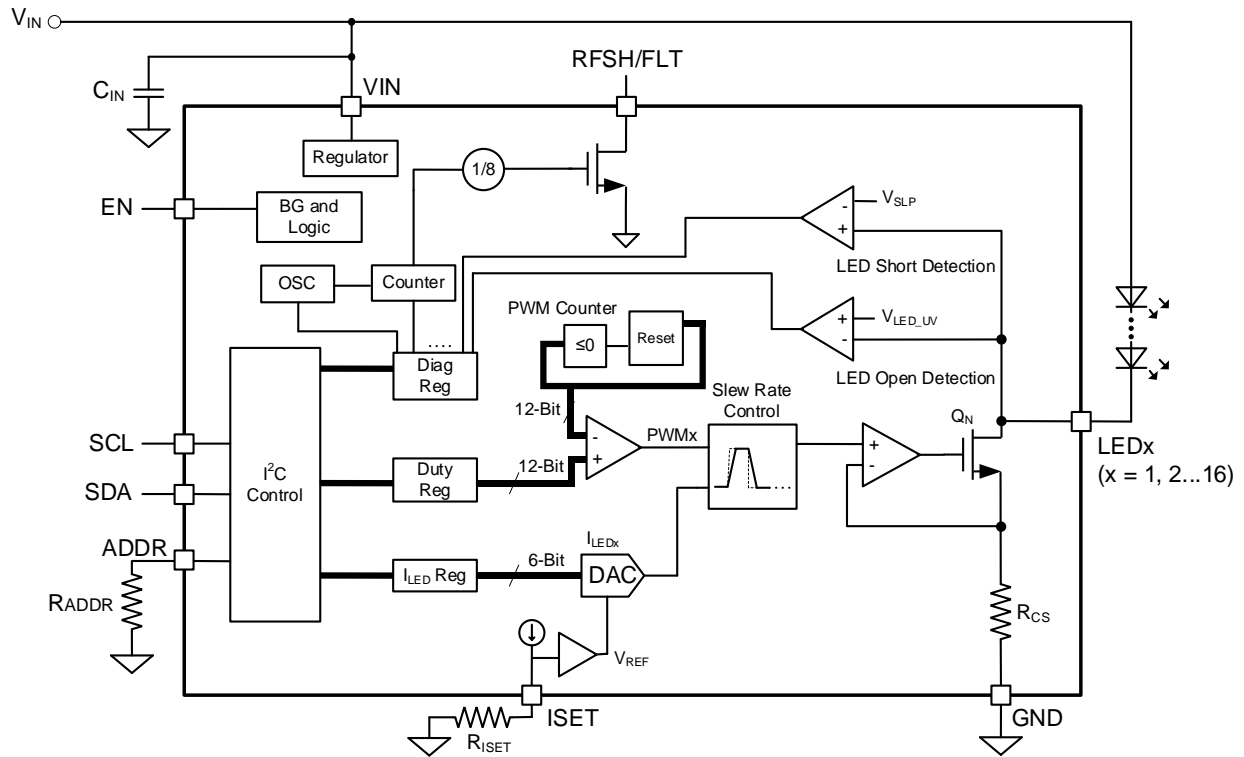


Figure 5: Functional Block Diagram

OPERATION

The MPQ3326B applies 16 internal current sources in each LED string terminal. The LED current (I_{LED}) of all the channels is set via an external current-setting resistor, with a maximum current up to 80mA.

Enable (EN) and Star-Up

Once the input voltage (V_{IN}) exceeds its under-voltage lockout (UVLO) rising threshold ($V_{IN_UVLO_RISING}$) and the EN pin's voltage (V_{EN}) exceeds its rising threshold (V_{EN_RISING}), the system starts up.

Channel Selection

The channels can be disabled by pulling the corresponding CHxEN bit (where $x = 1, 2...16$) low.

Dimming

Each channel includes a separate 6-bit analog dimming register and 12-bit pulse-width modulation (PWM) dimming register. The MPQ3326B can support analog dimming and PWM dimming for each channel.

In analog dimming, the I_{LED} amplitude changes when the analog dimming register changes. Change the code in ICHx ($x = 1, 2...16$) to apply analog dimming for the corresponding channel. I_{LED} can be estimated with Equation (1):

$$I_{LED} = \frac{ICHx}{63} \times I_{SET} \quad (1)$$

Where ICHx is the analog dimming code for channel x (where $x = 1, 2...16$). If ICHx is set to 0, then the corresponding I_{LED} is 0A.

In PWM dimming, I_{LED} is a PWM waveform, the I_{LED} amplitude remains the same, and the I_{LED} duty varies with the PWM dimming register.

The PWM dimming duty (D_{PWM}) is set by the PWMx ($x = 1, 2...16$) register. D_{PWM} can be calculated with Equation (2):

$$D_{PWM} = \frac{PWMx}{4095} \quad (2)$$

Where PWMx is the D_{PWM} code for channel x (where $x = 1, 2...16$).

The duty changes only when the PWM duty register's 8 most significant bits (MSB) are written. If PWMx is set to 0, then the corresponding I_{LED} is 0A.

The PWM dimming frequency (f_{PWM}) can be selected via register FPWM[1:0]. Table 1 shows the FPWM[1:0] register setting for the different PWM frequencies.

Table 1: PWM Frequency Setting

FPWM[1:0]	f_{PWM}
00	220Hz
01	250Hz (default)
10	280Hz
11	330Hz

To avoid glitches during normal operation, follow the steps below:

1. Change the FPWM[1:0] value only when the EN bit is set 0.
2. Write the FPWM register, then resume writing to the other registers after a 10 μ s delay.

Phase Shift

The channel-by-channel phase-shift function is enabled by setting the PS_EN bit high.

When the phase shift function is enabled, the rising edge of each channel occurs 40 μ s after the previous channel. This means that the rising edge of the channel $x + 1$ (where $x = 1, 2...15$) I_{LED} occurs 40 μ s after the rising edge of channel x's I_{LED} .

Synchronized Output for the LCD Refresh Frequency

The fault indicator function can be enabled via the FLTEN bit.

If FLTEN = 0, the fault indicator function is disabled and the RFSH/FLT pin maintains the output refresh signal, even when a protection is triggered.

If FLTEN = 1, the fault indication function is enabled and RFSH/FLT is pulled low when a fault occurs.

Table 2 on page 14 shows RFSH/FLT’s output status.

Table 2: RFSH/FLT Pin Output Status

FLTEN	FRFSH[9:0] = 0x000 (default)		FRFSH[9:0] = 0x001 to 0x3FF	
	No Fault	Fault	No Fault	Fault
1	Pulled high externally	Low	Rectangular signal	Low
0	Pulled high externally		Rectangular signal	

The refresh signal frequency (f_{REFRESH}) is set by FRFSH[9:0]. If FRFSH[9:0] = 0x000, then RFSH/FLT outputs high. If FRFSH[9:0] = 0x001~0x3FF, then RFSH/FLT outputs a rectangular signal. f_{REFRESH} can be calculated with Equation (3):

$$f_{\text{REFRESH}} = \frac{127500}{\text{FRFSH}} \times \frac{f_{\text{PWM}}}{250} \quad (\text{Hz}) \quad (3)$$

Where FRFSH is the FRFSH[9:0] value (>0), and f_{PWM} is set by register FPWM[1:0] to 220Hz, 250Hz, 280Hz, or 330Hz.

Note that all values in Equation (5) are decimal-based and f_{REFRESH} does not change until the 8MSB are written.

If FRFSH[9:0] is written to 0x000, then the read back value is 0x1A9 to avoid a zero denominator in the internal calculation (see Equation 3).

The internal oscillator is divided by 8. As the clock refreshes the frequency generation, the FRFSH[9:0] register sets the counter number (see Figure 6).

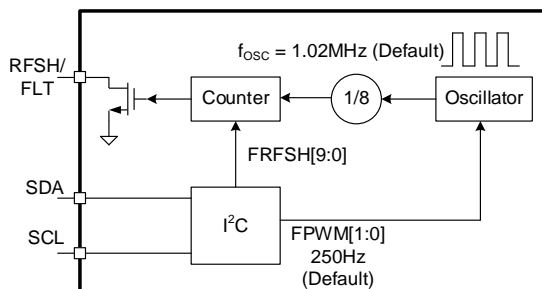


Figure 6: Refresh Frequency Generation

LED Current Slew Rate Control

To reduce EMI, change the I_{LED} rising and falling slew rate in PWM dimming. The I_{LED} rising and falling slew rate is controlled by the SLEW[1:0] register. Table 3 shows the SLEW[1:0] register settings for the different slew rates.

Table 3: Slew Rate Setting

SLEW[1:0]	Slew Rate
00	No slew rate
01	5 μ s
10	10 μ s
11	20 μ s

Protections

The MPQ3326B employs V_{IN} UVLO protection, LED short protection, LED open protection, and thermal shutdown.

The RFSH/FLT pin is an active-low, open-drain output that is pulled high to an external voltage source. If a fault occurs, the corresponding fault bit is set and RFSH/FLT is pulled low.

For LED open and short protection, hiccup mode or latch-off mode can be selected via the LATCH bit in the I²C.

If LATCH = 1, the MPQ3326B enters latch-off mode once a fault occurs. The fault channel remains off until either V_{IN} or EN turns off and resets. After the fault bit is read, FRSH/FLT is pulled high and the fault bit sets. If the fault bit is read again, then the fault bit resets.

If LATCH = 0, the MPQ3326B enters hiccup mode, during which the fault channel tries to conduct for 32 μ s every 1ms to detect whether the fault has been cleared. Once the fault is removed, FRSH/FLT is pulled high automatically and the fault bit resets when it is read.

V_{IN} Under-Voltage Lockout (UVLO) Protection

If V_{IN} drops to the V_{IN} UVLO threshold, then the IC shuts down and all the I²C registers are reset.

LED Open Protection

The LED_x ($x = 1, 2...16$) voltage (V_{LEDx}) drops when an LED is open. If V_{LEDx} drops below the protection threshold (about 100mV) for 4ms, then LED open protection is triggered. In this scenario, the fault channel turns off, the corresponding open fault bit (CHxO, where $x = 1, 2...16$) is set, and RFSH/FLT is pulled low.

LED Short Protection

If an LED short occurs, and V_{LEDx} ($x = 1, 2 \dots 16$) exceeds the voltage set by $STH[1:0]$ for 4ms, then LED short protection is triggered. The short channel turns off, the corresponding fault bit ($CHxS$, where $x = 1, 2 \dots 16$) is set, and $RFSH/FLT$ is pulled low.

The LED short protection threshold (V_{SLP}) is configured via the $STH[1:0]$ register. Table 4 shows the $STH[1:0]$ register setting for different LED short protection thresholds.

Table 4: LED Short Protection Threshold Setting

STH[1:0]	V_{SLP}
00	2V
01	3V
10	4V
11	5V

Over-Temperature Protection (OTP)

If the IC temperature exceeds 170°C, then over-temperature protection (OTP) is triggered, all channels turn off, $RFSH/FLT$ is pulled low, and FT_OTP is set. Once the temperature drops to about 150°C, all channels turn on again and the IC resumes normal operation.

I²C INTERFACE

I²C Chip Address

The device address is 0x30~0x39, which can be configured via the ADDR resistor (R_{ADDR}). The internal current source flows to R_{ADDR} , and the ADDR voltage (V_{ADDR}) determines the I²C address. Ten different addresses can be configured via R_{ADDR} .

Table 5 shows the various resistor ratio (R_{ADDR} / R_{ISET}) configurations to set the I²C address.

Table 5: I2C Address Setting

R_{ADDR}, R_{ISET}	I ² C Address (A3, A2, A1, A0)
<0.05	0000
>0.05, <0.15	0001
>0.15, <0.25	0010
>0.25, <0.35	0011
>0.35, <0.45	0100
>0.45, <0.55	0101
>0.55, <0.65	0110
>0.65, <0.75	0111
>0.75, <0.85	1000
>0.85, <0.95	1001

At start-up, the IC checks the I²C address first. This address remains the same during operation until the IC's power is reset.

After a start (S) condition, the I²C-compatible master sends a 7-bit address, followed by an eighth data direction bit (where 1 = read and 0 = write). The eighth bit indicates the register address to/from which the data is written/read (see Figure 7).

0	1	1	A3	A2	A1	A0	R/W
---	---	---	----	----	----	----	-----

Figure 7: The I²C-Compatible Device Address

To avoid glitches during normal operation, follow the steps below:

1. Change the FPWM[1:0] value only when the EN bit is set to 0.
2. Write the FPWM[1:0] register, then resume writing to the other registers after a 10 μ s delay.

I²C REGISTER MAP

Name	R/W	Add	Default	D[7]	D[6]	D[5]	D[4]	D[3]	D[2]	D[1]	D[0]
ILED_FRE	R/W	00h	01	RESERVED						FPWM[1:0]	
DEV_CON	R/W	01h	91	FLTEN	LATCH	STH[1:0]		SLEW[1:0]		PS_EN	EN
REFRESH_1	R/W	02h	01	RESERVED						FT_OTP	FRFSH[1:0]
REFRESH_2	R/W	03h	6A	FRFSH[9:2]							
CHN_EN1	R/W	04h	FF	CH16EN	CH15EN	CH14EN	CH13EN	CH12EN	CH11EN	CH10EN	CH9EN
CHN_EN2	R/W	05h	FF	CH8EN	CH7EN	CH6EN	CH5EN	CH4EN	CH3EN	CH2EN	CH1EN
FAU_OP1	R	06h	00	CH16O	CH15O	CH14O	CH13O	CH12O	CH11O	CH10O	CH9O
FAU_OP2	R	07h	00	CH8O	CH7O	CH6O	CH5O	CH4O	CH3O	CH2O	CH1O
FAU_SH1	R	08h	00	CH16S	CH15S	CH14S	CH13S	CH12S	CH11S	CH10S	CH9S
FAU_SH2	R	09h	00	CH8S	CH7S	CH6S	CH5S	CH4S	CH3S	CH2S	CH1S
ILED_CH1	R/W	0Ah	3F	RESERVED			ICH1[5:0]				
DPWM_CH1_1	R/W	0Bh	0F	RESERVED				PWM1[3:0]			
DPWM_CH1_2	R/W	0Ch	FF	PWM1[11:4]							
ILED_CH2	R/W	0Dh	3F	RESERVED			ICH2[5:0]				
DPWM_CH2_1	R/W	0Eh	0F	RESERVED				PWM2[3:0]			
DPWM_CH2_2	R/W	0Fh	FF	PWM2[11:4]							
ILED_CH3	R/W	10h	3F	RESERVED			ICH3[5:0]				
DPWM_CH3_1	R/W	11h	0F	RESERVED				PWM3[3:0]			
DPWM_CH3_2	R/W	12h	FF	PWM3[11:4]							
ILED_CH4	R/W	13h	3F	RESERVED			ICH4[5:0]				
DPWM_CH4_1	R/W	14h	0F	RESERVED				PWM4[3:0]			
DPWM_CH4_2	R/W	15h	FF	PWM4[11:4]							
ILED_CH5	R/W	16h	3F	RESERVED			ICH5[5:0]				
DPWM_CH5_1	R/W	17h	0F	RESERVED				PWM5[3:0]			
DPWM_CH5_2	R/W	18h	FF	PWM5[11:4]							
ILED_CH6	R/W	19h	3F	RESERVED			ICH6[5:0]				
DPWM_CH6_1	R/W	1Ah	0F	RESERVED				PWM6[3:0]			
DPWM_CH6_2	R/W	1Bh	FF	PWM6[11:4]							
ILED_CH7	R/W	1Ch	3F	RESERVED			ICH7[5:0]				
DPWM_CH7_1	R/W	1Dh	0F	RESERVED				PWM7[3:0]			
DPWM_CH7_2	R/W	1Eh	FF	PWM7[11:4]							
ILED_CH8	R/W	1Fh	3F	RESERVED			ICH8[5:0]				
DPWM_CH8_1	R/W	20h	0F	RESERVED				PWM8[3:0]			
DPWM_CH8_2	R/W	21h	FF	PWM8[11:4]							
ILED_CH9	R/W	22h	3F	RESERVED			ICH9[5:0]				
DPWM_CH9_1	R/W	23h	0F	RESERVED				PWM9[3:0]			
DPWM_CH9_2	R/W	24h	FF	PWM9[11:4]							
ILED_CH10	R/W	25h	3F	RESERVED			ICH10[5:0]				
DPWM_CH10_1	R/W	26h	0F	RESERVED				PWM10[3:0]			
DPWM_CH10_2	R/W	27h	FF	PWM10[11:4]							
ILED_CH11	R/W	28h	3F	RESERVED			ICH11[5:0]				
DPWM_CH11_1	R/W	29h	0F	RESERVED				PWM11[3:0]			
DPWM_CH11_2	R/W	2Ah	FF	PWM11[11:4]							
ILED_CH12	R/W	2Bh	3F	RESERVED			ICH12[5:0]				
DPWM_CH12_1	R/W	2Ch	0F	RESERVED				PWM12[3:0]			
DPWM_CH12_2	R/W	2Dh	FF	PWM12[11:4]							
ILED_CH13	R/W	2Eh	3F	RESERVED			ICH13[5:0]				
DPWM_CH13_1	R/W	2Fh	0F	RESERVED				PWM13[3:0]			

I²C REGISTER MAP (continued)

Name	R/W	Add	Default	D[7]	D[6]	D[5]	D[4]	D[3]	D[2]	D[1]	D[0]
DPWM_CH13_2	R/W	30h	FF	PWM13[11:4]							
ILED_CH14	R/W	31h	3F	RESERVED			ICH14[5:0]				
DPWM_CH14_1	R/W	32h	0F	RESERVED					PWM14[3:0]		
DPWM_CH14_2	R/W	33h	FF	PWM14[11:4]							
ILED_CH15	R/W	34h	3F	RESERVED			ICH15[5:0]				
DPWM_CH15_1	R/W	35h	0F	RESERVED					PWM15[3:0]		
DPWM_CH15_2	R/W	36h	FF	PWM15[11:4]							
ILED_CH16	R/W	37h	3F	RESERVED			ICH16[5:0]				
DPWM_CH16_1	R/W	38h	0F	RESERVED					PWM16[3:0]		
DPWM_CH16_2	R/W	39h	FF	PWM16[11:4]							

I²C REGISTER DESCRIPTION

I²C REGISTER DESCRIPTION

The ILED_FRE command sets the LED current (I_{LED}) frequency.

Bits	Name	Access	Default	Description
7:2	RESERVED	R	N/A	Reserved.
1:0	FPWM[1:0]	R/W	2'b 01	<p>Sets the pulse-width modulation (PWM) dimming frequency.</p> <p>00: 220Hz 01: 250Hz 10: 280Hz 11: 330Hz</p> <p>To avoid glitches during operation, follow the steps below:</p> <ul style="list-style-type: none"> Change the FPWM[1:0] value only when the EN bit is set to 0. Write the FPWM[1:0] register, then resume writing to the other registers after a 10μs delay.

DEV_CON (01h)

The DEV_CON command controls the device.

Bits	Name	Access	Default	Description
7	FLTEN	R/W	1'b1	<p>Enables the RFSH/FLT fault indicator.</p> <p>0: Disabled. RFSH/FLT refreshes the signal output 1: Enabled. RFSH/FLT indicates if a fault has occurred</p>
6	LATCH	R/W	1'b0	<p>Enables latch-off mode.</p> <p>0: Disabled. Hiccup mode enabled if a fault occurs 1: Enabled. Latch-off mode enabled if a fault occurs</p>
5:4	STH[1:0]	R/W	2'b 01	<p>Sets the LED short protection threshold (V_{SLP}).</p> <p>00: 2V 01: 3V 10: 4V 11: 5V</p>
3:2	SLEW[1:0]	R/W	2'b 00	<p>Sets the LED current (I_{LED}) slew rate.</p> <p>00: No slew rate 01: 5μs 10: 10μs 11: 20μs</p>
1	PS_EN	R/W	1'b0	<p>Enables the phase shift.</p> <p>0: Disabled 1: Enabled. The rising edge of channel $x + 1$ (where $x = 1, 2 \dots 15$) I_{LED} occurs 40μs after the rising edge of channel x's I_{LED}</p>
0	EN	R/W	1'b1	<p>Enables the IC.</p> <p>0: Disabled 1: Enabled</p>

REFRESH_1 (02h)

The REFRESH_1 command sets the RFSH/FLT refresh frequency (f_{REFRESH}) (2LSB).

Bits	Name	Access	Default	Description
7:3	RESERVED	R	-	Reserved.
2	FT_OTP	R	1'b0	Indicates whether an over-temperature (OT) fault has occurred. 0: An OT fault has not occurred 1: An OT fault has occurred
1:0	FRFSH[1:0]	R/W	2'b 01	Sets the 2 least significant bits (LSB) of f_{REFRESH} . FRFSH[9:0] = 0x000, outputs a high voltage FRFSH[9:0] > 0, f_{REFRESH} can be calculated with the following equation: $f_{\text{REFRESH}} = \frac{127500}{\text{FRFSH}} \times \frac{f_{\text{PWM}}}{250} \text{ (Hz)}$ Note that all of the numbers in the equation have a decimal base. f_{REFRESH} does not change until the 8MSB is written. The default FRFSH[1:0] = 00, but read back is 01.

REFRESH_2 (03h)

The REFRESH_2 command sets the RFSH/FLT f_{REFRESH} (8MSB).

Bits	Name	Access	Default	Description
7:3	FRFSH[9:2]	R/W	8'b 01101010	Sets the 8MSB of f_{REFRESH} . FRFSH[9:0] = 0x000: Output high-level voltage FRFSH[9:0] > 0: f_{REFRESH} can be calculated with the following equation: $f_{\text{REFRESH}} = \frac{127500}{\text{FRFSH}} \times \frac{f_{\text{PWM}}}{250} \text{ (Hz)}$ Note that all of the numbers in the equation have a decimal base. f_{REFRESH} does not change until the 8MSB is written. The default FRFSH[9:2] = 0x00, but read back is 6A.

CHN_EN1 (04h)

The CHN_EN1 command sets the channel 9~16 enable bits.

Bits	Name	Access	Default	Description
7	CH16EN	R/W	1'b1	Enables channel 16. 0: Disabled 1: Enabled
6	CH15EN	R/W	1'b1	Enables channel 15. 0: Disabled 1: Enabled
5	CH14EN	R/W	1'b1	Enables channel 14. 0: Disabled 1: Enabled
4	CH13EN	R/W	1'b1	Enables channel 13. 0: Disabled 1: Enabled

3	CH12EN	R/W	1'b1	Enables channel 12. 0: Disabled 1: Enabled
2	CH11EN	R/W	1'b1	Enables channel 11. 0: Disabled 1: Enabled
1	CH10EN	R/W	1'b1	Enables channel 10. 0: Disabled 1: Enabled
0	CH9EN	R/W	1'b1	Enables channel 9. 0: Disabled 1: Enabled

CHN_EN2 (05h)

The CHN_EN2 command sets the channel 1~8 enable bits.

Bits	Name	Access	Default	Description
7	CH8EN	R/W	1'b1	Enables channel 8. 0: Disabled 1: Enabled
6	CH7EN	R/W	1'b1	Enables channel 7. 0: Disabled 1: Enabled
5	CH6EN	R/W	1'b1	Enables channel 6. 0: Disabled 1: Enabled
4	CH5EN	R/W	1'b1	Enables channel 5. 0: Disabled 1: Enabled
3	CH4EN	R/W	1'b1	Enables channel 4. 0: Disabled 1: Enabled
2	CH3EN	R/W	1'b1	Enables channel 3. 0: Disabled 1: Enabled
1	CH2EN	R/W	1'b1	Enables channel 2. 0: Disabled 1: Enabled
0	CH1EN	R/W	1'b1	Enables channel 1. 0: Disabled 1: Enabled

FAU_OP1 (06h)

The FAU_OP1 command reads the channel 9~16 open fault bits.

Bits	Name	Access	Default	Description
7	CH16O	R	1'b0	Channel 16 open protection fault flag. 0: No fault 1: Fault
6	CH15O	R	1'b0	Channel 15 open protection fault flag. 0: No fault 1: Fault
5	CH14O	R	1'b0	Channel 14 open protection fault flag. 0: No fault 1: Fault
4	CH13O	R	1'b0	Channel 13 open protection fault flag. 0: No fault 1: Fault
3	CH12O	R	1'b0	Channel 12 open protection fault flag. 0: No fault 1: Fault
2	CH11O	R	1'b0	Channel 11 open protection fault flag. 0: No fault 1: Fault
1	CH10O	R	1'b0	Channel 10 open protection fault flag. 0: No fault 1: Fault
0	CH9O	R	1'b0	Channel 9 open protection fault flag. 0: No fault 1: Fault

FAU_OP2 (07h)

The FAU_OP2 command reads the channel 1~8 open fault bits.

Bits	Name	Access	Default	Description
7	CH8O	R	1'b0	Channel 8 open protection fault flag. 0: No fault 1: Fault
6	CH7O	R	1'b0	Channel 7 open protection fault flag. 0: No fault 1: Fault
5	CH6O	R	1'b0	Channel 6 open protection fault flag. 0: No fault 1: Fault
4	CH5O	R	1'b0	Channel 5 open protection fault flag. 0: No fault 1: Fault

3	CH4O	R	1'b0	Channel 4 open protection fault flag. 0: No fault 1: Fault
2	CH3O	R	1'b0	Channel 3 open protection fault flag. 0: No fault 1: Fault
1	CH2O	R	1'b0	Channel 2 open protection fault flag. 0: No fault 1: Fault
0	CH1O	R	1'b0	Channel 1 open protection fault flag. 0: No fault 1: Fault

FAU_SH1 (08h)

The FAU_SH1 command reads the channel 9~16 short fault bits.

Bits	Name	Access	Default	Description
7	CH16S	R	1'b0	Channel 16 short protection fault flag. 0: No fault 1: Fault
6	CH15S	R	1'b0	Channel 15 short protection fault flag. 0: No fault 1: Fault
5	CH14S	R	1'b0	Channel 14 short protection fault flag. 0: No fault 1: Fault
4	CH13S	R	1'b0	Channel 13 short protection fault flag. 0: No fault 1: Fault
3	CH12S	R	1'b0	Channel 12 short protection fault flag. 0: No fault 1: Fault
2	CH11S	R	1'b0	Channel 11 short protection fault flag. 0: No fault 1: Fault
1	CH10S	R	1'b0	Channel 10 short protection fault flag. 0: No fault 1: Fault
0	CH9S	R	1'b0	Channel 9 short protection fault flag. 0: No fault 1: Fault

FAU_SH2 (09h)

The FAU_SH2 command reads the channel 1~8 short fault bits.

Bits	Name	Access	Default	Description
7	CH8S	R	1'b0	Channel 8 short protection fault flag. 0: No fault 1: Fault
6	CH7S	R	1'b0	Channel 7 short protection fault flag. 0: No fault 1: Fault
5	CH6S	R	1'b0	Channel 6 short protection fault flag. 0: No fault 1: Fault
4	CH5S	R	1'b0	Channel 5 short protection fault flag. 0: No fault 1: Fault
3	CH4S	R	1'b0	Channel 4 short protection fault flag. 0: No fault 1: Fault
2	CH3S	R	1'b0	Channel 3 short protection fault flag. 0: No fault 1: Fault
1	CH2S	R	1'b0	Channel 2 short protection fault flag. 0: No fault 1: Fault
0	CH1S	R	1'b0	Channel 1 short protection fault flag. 0: No fault 1: Fault

ILED_CH1 (0Ah)

The ILED_CH1 command sets the channel 1 I_{LED}.

Bits	Name	Access	Default	Description
7:6	RESERVED	R	N/A	Reserved.
5:0	ICH1[5:0]	R/W	6'b 111111	Sets the channel 1 I _{LED} for analog dimming, which can be calculated with the following equation: $I_{LED} = \frac{Code}{63} \times I_{SET}$

DPWM_CH1_1 (0Bh)

The DPWM_CH1_1 command sets the 4LSB for the channel 1 I_{LED} PWM dimming duty (D_{PWM}).

Bits	Name	Access	Default	Description
7:6	RESERVED	R	N/A	Reserved.
5:0	ICH1[5:0]	R/W	6'b 111111	Sets the 4LSB for the channel 1 I _{LED} D _{PWM} . D _{PWM} only changes when the 8MSB are written.

DPWM_CH1_2 (0Ch)

The DPWM_CH1_2 command sets the 8MSB for the channel 1 I_{LED} D_{PWM}.

Bits	Name	Access	Default	Description
7:0	PWM1[11:4]	R/W	8'b 11111111	Sets the 8MSB for the channel 1 I _{LED} D _{PWM} . D _{PWM} only changes when the 8MSB are written.

ILED_CH2 (0Dh)

The ILED_CH2 command sets the channel 2 I_{LED}.

Bits	Name	Access	Default	Description
7:6	RESERVED	R	-	Reserved.
5:0	ICH2[5:0]	R/W	6'b 111111	Sets the channel 2 I _{LED} for analog dimming, which can be calculated with the following equation: $I_{LED} = \frac{Code}{63} \times I_{SET}$

DPWM_CH2_1 (0Eh)

The DPWM_CH2_1 command sets the 4LSB for the channel 2 I_{LED} D_{PWM}.

Bits	Name	Access	Default	Description
7:4	RESERVED	R	-	Reserved.
3:0	PWM2[3:0]	R/W	4'b 1111	Sets the 4LSB for the channel 2 I _{LED} D _{PWM} . D _{PWM} only changes when the 8MSB are written.

DPWM_CH2_2 (0Fh)

The DPWM_CH2_2 command sets the 8MSB for the channel 2 I_{LED} D_{PWM}.

Bits	Name	Access	Default	Description
7:0	PWM2[11:4]	R/W	8'b 11111111	Sets the 8MSB for the channel 2 I _{LED} D _{PWM} . D _{PWM} only changes when the 8MSB are written.

ILED_CH3 (10h)

The ILED_CH3 command sets the channel 3 I_{LED}.

Bits	Name	Access	Default	Description
7:6	RESERVED	R	-	Reserved.
5:0	ICH3[5:0]	R/W	6'b 111111	Sets the channel 3 I _{LED} for analog dimming, which can be calculated with the following equation: $I_{LED} = \frac{Code}{63} \times I_{SET}$

DPWM_CH3_1 (11h)

The DPWM_CH3_1 command sets the 4LSB for the channel 3 I_{LED} D_{PWM}.

Bits	Name	Access	Default	Description
7:4	RESERVED	R	-	Reserved.
3:0	PWM3[3:0]	R/W	4'b 1111	Sets the 4LSB for the channel 3 I _{LED} D _{PWM} . D _{PWM} only changes when the 8MSB are written.

DPWM_CH3_2 (12h)

The DPWM_CH3_2 command sets the 8MSB for the channel 3 I_{LED} D_{PWM}.

Bits	Name	Access	Default	Description
7:0	PWM3[11:4]	R/W	8'b 11111111	Sets the 8MSB for the channel 3 I _{LED} D _{PWM} . D _{PWM} only changes when the 8MSB are written.

ILED_CH4 (13h)

The ILED_CH4 command sets channel 4 I_{LED}.

Bits	Name	Access	Default	Description
7:6	RESERVED	R	-	Reserved.
5:0	ICH4[5:0]	R/W	6'b 111111	Sets the channel 4 I _{LED} for analog dimming, which can be calculated with the following equation: $I_{LED} = \frac{Code}{63} \times I_{SET}$

DPWM_CH4_1 (14h)

The DPWM_CH4_1 command sets the 4LSB for the channel 4 I_{LED} D_{PWM}.

Bits	Name	Access	Default	Description
7:4	RESERVED	R	-	Reserved.
3:0	PWM4[3:0]	R/W	4'b 1111	Sets the 4LSB for the channel 4 I _{LED} D _{PWM} . D _{PWM} only changes when the 8MSB are written.

DPWM_CH4_2 (15h)

The DPWM_CH4_2 command sets the 8MSB for the channel 4 I_{LED} D_{PWM}.

Bits	Name	Access	Default	Description
7:0	PWM4[11:4]	R/W	8'b 11111111	Sets the 8MSB for the channel 4 I _{LED} D _{PWM} . D _{PWM} only changes when the 8MSB are written.

ILED_CH5 (16h)

The ILED_CH5 command sets channel 5 I_{LED}.

Bits	Name	Access	Default	Description
7:6	RESERVED	R	-	Reserved.
5:0	ICH5[5:0]	R/W	6'b 111111	Sets the channel 5 I _{LED} for analog dimming, which can be calculated with the following equation: $I_{LED} = \frac{Code}{63} \times I_{SET}$

DPWM_CH5_1 (17h)

The DPWM_CH5_1 command sets the 4LSB for the channel 5 I_{LED} D_{PWM}.

Bits	Name	Access	Default	Description
7:4	RESERVED	R	-	Reserved.
3:0	PWM5[3:0]	R/W	4'b 1111	Sets the 4LSB for the channel 5 I _{LED} D _{PWM} . D _{PWM} only changes when the 8MSB are written.

DPWM_CH5_2 (18h)

The DPWM_CH5_2 command sets the 8MSB for the channel 5 I_{LED} D_{PWM}.

Bits	Name	Access	Default	Description
7:0	PWM5[11:4]	R/W	8'b 11111111	Sets the 8MSB for the channel 5 I _{LED} D _{PWM} . D _{PWM} only changes when the 8MSB are written.

ILED_CH6 (19h)

The ILED_CH6 command sets the channel 6 I_{LED}.

Bits	Name	Access	Default	Description
7:6	RESERVED	R	-	Reserved.
5:0	ICH6[5:0]	R/W	6'b 111111	Sets the channel 6 I _{LED} for analog dimming, which can be calculated with the following equation: $I_{LED} = \frac{Code}{63} \times I_{SET}$

DPWM_CH6_1 (1Ah)

The DPWM_CH6_1 command sets the 4LSB for the channel 6 I_{LED} D_{PWM}.

Bits	Name	Access	Default	Description
7:4	RESERVED	R	-	Reserved.
3:0	PWM6[3:0]	R/W	4'b 1111	Sets the 4LSB for the channel 6 I _{LED} D _{PWM} . D _{PWM} only changes when the 8MSB are written.

DPWM_CH6_2 (1Bh)

The DPWM_CH6_2 command sets the 8MSB for the channel 6 I_{LED} D_{PWM}.

Bits	Name	Access	Default	Description
7:0	PWM6[11:4]	R	8'b 11111111	Sets the 8MSB for the channel 6 I _{LED} D _{PWM} . D _{PWM} only changes when the 8MSB are written.

ILED_CH7 (1Ch)

The ILED_CH7 command sets channel 7 I_{LED}.

Bits	Name	Access	Default	Description
7:6	RESERVED	R	-	Reserved.
5:0	ICH7[5:0]	R/W	6'b 111111	Sets the channel 7 I _{LED} for analog dimming, which can be calculated with the following equation: $I_{LED} = \frac{Code}{63} \times I_{SET}$

DPWM_CH7_1 (1Dh)

The DPWM_CH7_1 command sets the 4LSB for the channel 7 I_{LED} D_{PWM}.

Bits	Name	Access	Default	Description
7:4	RESERVED	R	-	Reserved.
3:0	PWM7[3:0]	R/W	4'b 1111	Sets the 4LSB for the channel 7 I _{LED} D _{PWM} . D _{PWM} only changes when the 8MSB are written.

DPWM_CH7_2 (1Eh)

The DPWM_CH7_2 command sets the 8MSB for the channel 7 I_{LED} D_{PWM}.

Bits	Name	Access	Default	Description
7:0	PWM7[11:4]	R/W	8'b 11111111	Sets the 8MSB for the channel 7 I _{LED} D _{PWM} . D _{PWM} only changes when the 8MSB are written.

ILED_CH8 (1Fh)

The ILED_CH8 command sets the channel 8 I_{LED}.

Bits	Name	Access	Default	Description
7:6	RESERVED	R	-	Reserved.
5:0	ICH8[5:0]	R/W	6'b 111111	Sets the channel 8 I _{LED} for analog dimming, which can be calculated with the following equation: $I_{LED} = \frac{Code}{63} \times I_{SET}$

DPWM_CH8_1 (20h)

The DPWM_CH8_1 command sets the 4LSB for the channel 8 I_{LED} D_{PWM}.

Bits	Name	Access	Default	Description
7:4	RESERVED	R	-	Reserved.
3:0	PWM8[3:0]	R/W	4'b 1111	Sets the 4LSB for the channel 8 I _{LED} D _{PWM} . D _{PWM} only changes when the 8MSB are written.

DPWM_CH8_2 (21h)

The DPWM_CH8_2 command sets the 8MSB for the channel 8 I_{LED} D_{PWM}.

Bits	Name	Access	Default	Description
7:0	PWM8[11:4]	R/W	8'b 11111111	Sets the 8MSB for the channel 8 I _{LED} D _{PWM} . D _{PWM} only changes when the 8MSB are written.

ILED_CH9 (22h)

The ILED_CH9 command sets the channel 9 I_{LED} amplitude.

Bits	Name	Access	Default	Description
7:6	RESERVED	R	-	Reserved.
5:0	ICH9[5:0]	R/W	6'b 111111	Sets the channel 9 I _{LED} for analog dimming (see Equation 1 on page 13).

DPWM_CH9_1 (23h)

The DPWM_CH9_1 command sets the 4LSB for the channel 9 I_{LED} D_{PWM}.

Bits	Name	Access	Default	Description
7:4	RESERVED	R	-	Reserved.
3:0	PWM9[3:0]	R/W	4'b 1111	Sets the 4LSB for the channel 9 I _{LED} D _{PWM} . D _{PWM} only changes when the 8MSB are written.

DPWM_CH9_2 (24h)

The DPWM_CH9_2 command sets the 8MSB for the channel 9 I_{LED} D_{PWM}.

Bits	Name	Access	Default	Description
7:0	RESERVED	R/W	8'b 11111111	Sets the 8MSB for the channel 9 I _{LED} D _{PWM} . D _{PWM} only changes when the 8MSB is written.

ILED_CH10 (25h)

The ILED_CH10 command sets the channel 10 I_{LED}.

Bits	Name	Access	Default	Description
7:6	RESERVED	R	-	Reserved.
5:0	ICH10[5:0]	R/W	6'b 111111	Sets the channel 10 I _{LED} for analog dimming (see Equation 1 on page 13).

DPWM_CH10_1 (26h)

The DPWM_CH10_1 command sets the 4LSB for the channel 10 I_{LED} D_{PWM}.

Bits	Name	Access	Default	Description
7:4	RESERVED	R	-	Reserved.
3:0	PWM10[3:0]	R/W	4'b 1111	Sets the 4LSB for the channel 10 I _{LED} D _{PWM} . The dimming duty only changes when the 8MSB is written.

DPWM_CH10_2 (27h)

The DPWM_CH10_2 command sets the 8MSB for the channel 10 I_{LED} D_{PWM}.

Bits	Name	Access	Default	Description
7:0	PWM10[11:4]	R/W	8'b 11111111	Sets the 8MSB for the channel 10 I _{LED} D _{PWM} . The dimming duty only changes when the 8MSB is written.

ILED_CH11 (28h)

The ILED_CH11 command sets the channel 11 I_{LED}.

Bits	Name	Access	Default	Description
7:6	RESERVED	R	-	Reserved.
5:0	ICH11[5:0]	R/W	6'b 111111	Sets the channel 11 I _{LED} for analog dimming (see Equation 1 on page 13).

DPWM_CH11_1 (29h)

The DPWM_CH11_1 command sets the 4LSB for the channel 11 I_{LED} D_{PWM}.

Bits	Name	Access	Default	Description
7:4	RESERVED	R	-	Reserved.
3:0	PWM11[3:0]	R/W	4'b 1111	Sets the 4LSB for the channel 11 I _{LED} D _{PWM} . The dimming duty only changes when the 8MSB is written.

DPWM_CH11_2 (2Ah)

The DPWM_CH11_2 command sets the 8MSB for the channel 11 I_{LED} D_{PWM}.

Bits	Name	Access	Default	Description
7:0	PWM11[11:4]	R/W	8'b 11111111	Sets the 8MSB for the channel 11 I _{LED} D _{PWM} . The dimming duty only changes when the 8MSB is written.

ILED_CH12 (2Bh)

The ILED_CH12 command sets the channel 12 I_{LED}.

Bits	Name	Access	Default	Description
7:6	RESERVED	R	-	Reserved.
5:0	ICH12[5:0]	R/W	6'b 111111	Sets the channel 12 I _{LED} for analog dimming (see Equation 1 on page 13).

DPWM_CH12_1 (2Ch)

The DPWM_CH12_1 command sets the 4LSB for the channel 12 I_{LED} D_{PWM}.

Bits	Name	Access	Default	Description
7:4	RESERVED	R	-	Reserved.
3:0	PWM12[3:0]	R/W	4'b 1111	Sets the 4LSB for the channel 12 I _{LED} D _{PWM} . The dimming duty only changes when the 8MSB is written.

DPWM_CH12_2 (2Dh)

The DPWM_CH12_2 command sets the 8MSB for the channel 12 I_{LED} D_{PWM}.

Bits	Name	Access	Default	Description
7:0	PWM12[11:4]	R/W	8'b 11111111	Sets the 8MSB for the channel 12 I _{LED} D _{PWM} . The dimming duty only changes when the 8MSB is written.

ILED_CH13 (2Eh)

The ILED_CH13 command sets the channel 13 I_{LED}.

Bits	Name	Access	Default	Description
7:6	RESERVED	R	-	Reserved.
5:0	ICH13[5:0]	R/W	6'b 111111	Sets the channel 13 I _{LED} for analog dimming (see Equation 1 on page 13).

DPWM_CH13_1 (2Fh)

The DPWM_CH13_1 command sets the 4LSB for the channel 13 I_{LED} D_{PWM}.

Bits	Name	Access	Default	Description
7:4	RESERVED	R	-	Reserved.
3:0	PWM13[3:0]	R/W	4'b 1111	Sets the 4LSB for the channel 13 I _{LED} D _{PWM} . The dimming duty only changes when the 8MSB is written.

DPWM_CH13_2 (30h)

The DPWM_CH13_2 command sets the 8MSB for the channel 13 I_{LED} D_{PWM}.

Bits	Name	Access	Default	Description
7:0	PWM13[11:4]	R/W	8'b 11111111	Sets the 8MSB for the channel 13 I _{LED} D _{PWM} . The dimming duty only changes when the 8MSB is written.

ILED_CH14 (31h)

The ILED_CH14 command sets the channel 14 I_{LED}.

Bits	Name	Access	Default	Description
7:6	RESERVED	R	-	Reserved.
5:0	ICH14[5:0]	R/W	6'b 111111	Sets the channel 14 I _{LED} for analog dimming (see Equation 1 on page 13).

DPWM_CH14_1 (32h)

The DPWM_CH14_1 command sets the 4LSB for the channel 14 I_{LED} D_{PWM}.

Bits	Name	Access	Default	Description
7:4	RESERVED	R	-	Reserved.
3:0	PWM14[3:0]	R/W	4'b 1111	Sets the 4LSB for the channel 14 I _{LED} D _{PWM} . The dimming duty only changes when the 8MSB is written.

DPWM_CH14_2 (33h)

The DPWM_CH14_2 command sets the 8MSB for the channel 14 I_{LED} D_{PWM}.

Bits	Name	Access	Default	Description
7:0	PWM14[11:4]	R/W	8'b 11111111	Sets the 8MSB for the channel 14 I _{LED} D _{PWM} . The dimming duty only changes when the 8MSB is written.

ILED_CH15 (34h)

The ILED_CH15 command sets the channel 15 I_{LED}.

Bits	Name	Access	Default	Description
7:6	RESERVED	R	-	Reserved.
5:0	ICH15[5:0]	R/W	6'b 111111	Sets the channel 15 I _{LED} for analog dimming (see Equation 1 on page 13).

DPWM_CH15_1 (35h)

The DPWM_CH15_1 command sets the 4LSB for the channel 15 I_{LED} D_{PWM}.

Bits	Name	Access	Default	Description
7:4	RESERVED	R	-	Reserved.
3:0	PWM15[3:0]	R/W	4'b 1111	Sets the 4LSB for the channel 15 I _{LED} D _{PWM} . The dimming duty only changes when the 8MSB is written.

DPWM_CH15_2 (36h)

The DPWM_CH15_2 command sets the 8MSB for the channel 15 I_{LED} D_{PWM}.

Bits	Name	Access	Default	Description
7:0	PWM15[11:4]	R/W	8'b 11111111	Sets the 8MSB for the channel 15 I _{LED} D _{PWM} . The dimming duty only changes when the 8MSB is written.

ILED_CH16 (37h)

The ILED_CH16 command sets the channel 16 I_{LED}.

Bits	Name	Access	Default	Description
7:6	RESERVED	R	-	Reserved.
5:0	ICH16[5:0]	R/W	6'b 111111	Sets the channel 16 I _{LED} for analog dimming (see Equation 1 on page 13).

DPWM_CH16_1 (38h)

The DPWM_CH16_1 command sets the 4LSB for the channel 16 I_{LED} D_{PWM}.

Bits	Name	Access	Default	Description
7:4	RESERVED	R	-	Reserved.
3:0	PWM16[3:0]	R/W	4'b 1111	Sets the 4LSB for the channel 16 I _{LED} D _{PWM} . The dimming duty only changes when the 8MSB is written.

DPWM_CH16_2 (39h)

The DPWM_CH16_2 command sets the 8MSB for the channel 16 I_{LED} D_{PWM}.

Bits	Name	Access	Default	Description
7:0	PWM16[11:4]	R/W	8'b 11111111	Sets the 8MSB for the channel 16 I _{LED} D _{PWM} . The dimming duty only changes when the 8MSB is written.

APPLICATION INFORMATION

Setting the LED Current

Connect a resistor from the ISET pin to GND to set I_{LED} for all 16 channels. I_{LED} can be calculated with Equation (4):

$$I_{LED} (mA) = \frac{1200}{R_{ISET} (k\Omega)} \quad (4)$$

PCB Layout Guidelines

Efficient PCB layout is critical for stable operation. For the best results, refer to Figure 8 and following the guidelines below:

1. Place the VIN capacitor close to the VIN pin.
2. Add multiple vias to the capacitor's GND.
3. Ensure that the traces from the LED anode to the LEDx pins are wide enough to support the set current (up to 80mA).

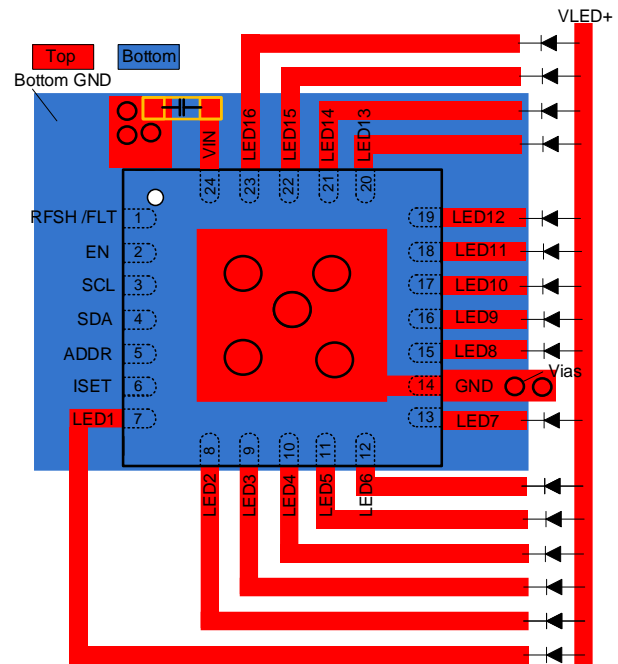


Figure 8: Recommended PCB Layout

TYPICAL APPLICATION CIRCUITS

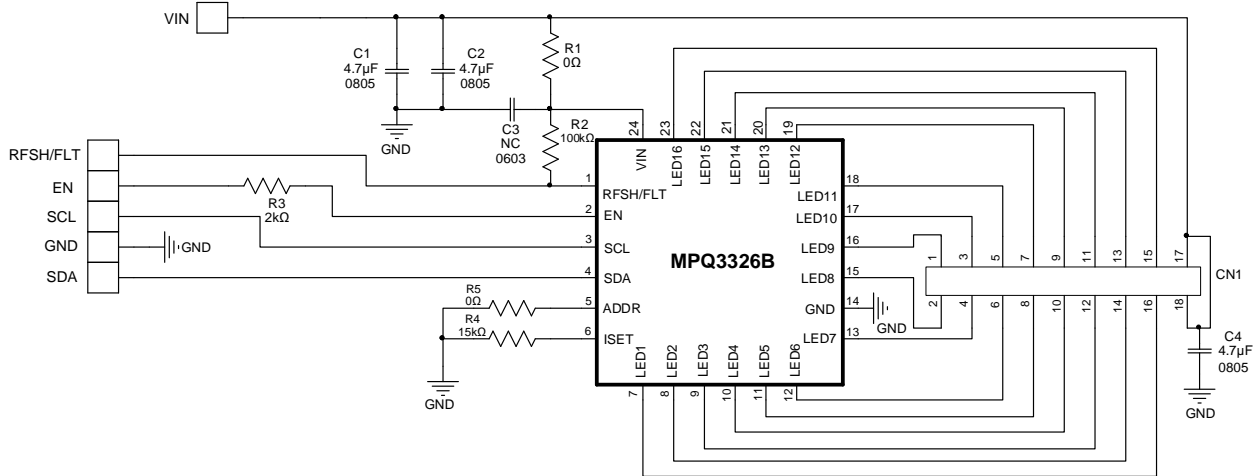


Figure 9: Typical Application Circuit ($I_{LED} = 80\text{mA}/\text{Channel}$)

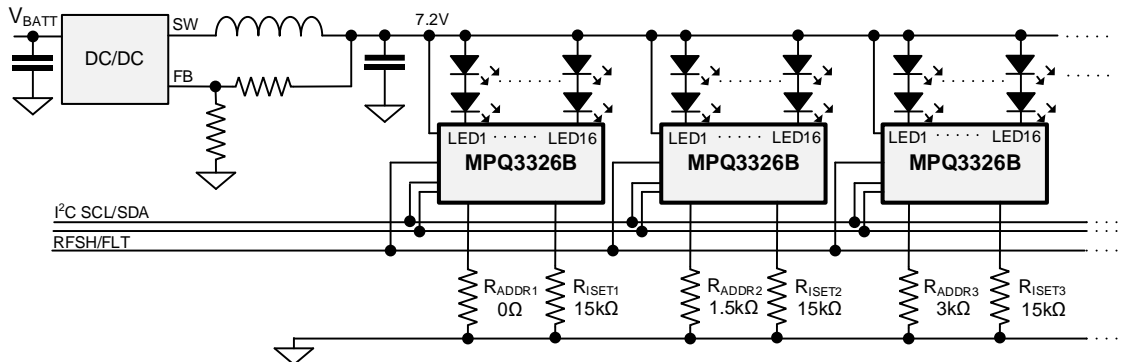
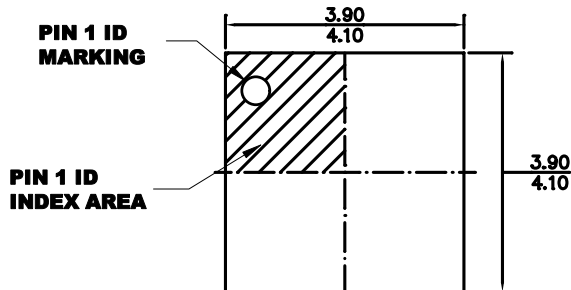


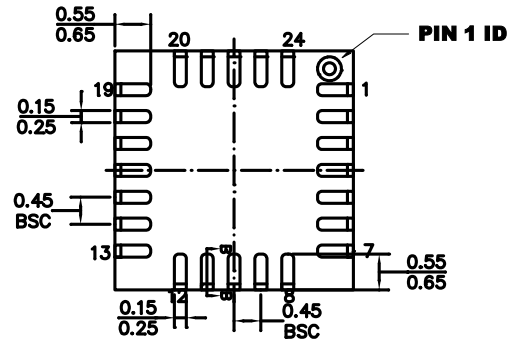
Figure 10: Typical System Application Circuit, 2 LED in Series, $I_{LED} = 80\text{mA}/\text{Channel}$

PACKAGE INFORMATION

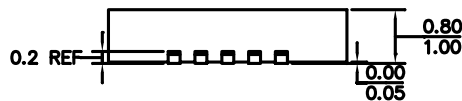
QFN-24 (4mmx4mm) Wettable Flank



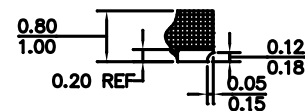
TOP VIEW



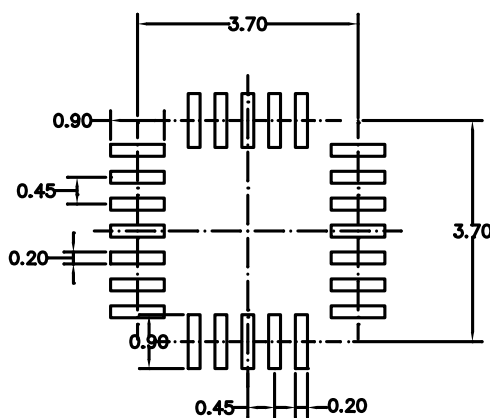
BOTTOM VIEW



SIDE VIEW



SECTION B-B

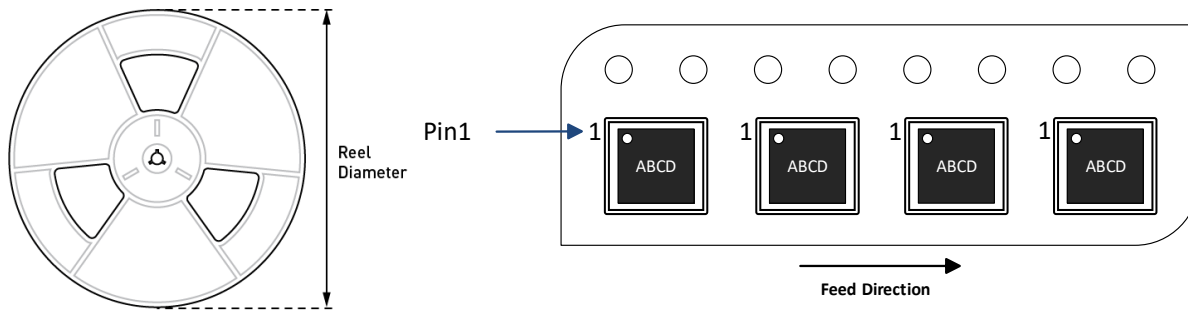


RECOMMENDED LAND PATTERN

NOTE:

- 1) THE LEAD SIDE IS WETTABLE.
- 2) ALL DIMENSIONS ARE IN MILLIMETERS.
- 3) LEAD COPLANARITY SHALL BE 0.08 MILLIMETERS MAX.
- 4) JEDEC REFERENCE IS MO-220.
- 5) DRAWING IS NOT TO SCALE.

CARRIER INFORMATION



Part Number	Package Description	Quantity/ Reel	Quantity/ Tube	Quantity/ Tray	Reel Diameter	Carrier Tape Width	Carrier Tape Pitch
MPQ3326BGRE-AEC1-Z	QFN-24 (4mmx4mm)	5000	N/A	N/A	13in	12mm	8mm



REVISION HISTORY

Revision #	Revision Date	Description	Pages Updated
1.0	1/11/2023	Initial Release	-

Notice: The information in this document is subject to change without notice. Please contact MPS for current specifications. Users should warrant and guarantee that third-party Intellectual Property rights are not infringed upon when integrating MPS products into any application. MPS will not assume any legal responsibility for any said applications.