

EN25Q40B (2X)**4 Megabit Serial Flash Memory with 4Kbyte Uniform Sector****FEATURES**

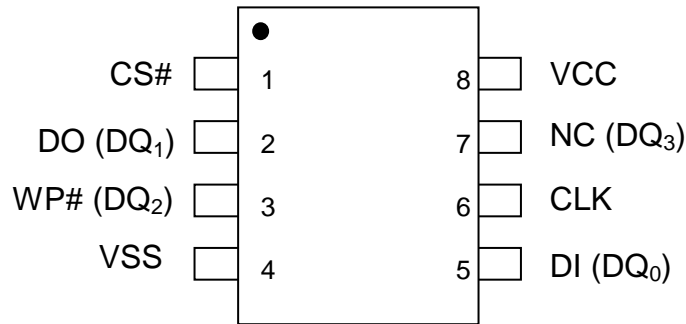
- Single power supply operation
 - Full voltage range: 2.3-3.6 volt
- Serial Interface Architecture
 - SPI Compatible: Mode 0 and Mode 3
- 4 M-bit Serial Flash
 - 4 M-bit/512 K-byte/2,048 pages
 - 256 bytes per programmable page
- Standard, Dual or Quad SPI
 - Standard SPI: CLK, CS#, DI, DO, WP#
 - Dual SPI: CLK, CS#, DQ₀, DQ₁, WP#
 - Quad SPI: CLK, CS#, DQ₀, DQ₁, DQ₂, DQ₃
- High performance
 - 104MHz clock rate for Standard SPI
 - 104MHz clock rate for two data bits
 - 104MHz clock rate for four data bits
- Low power consumption
 - 5 mA typical active current
 - 1 μ A typical power down current
- Uniform Sector Architecture:
 - 128 sectors of 4-Kbyte
 - 16 blocks of 32-Kbyte
 - 8 blocks of 64-Kbyte
 - Any sector or block can be erased individually
- Software and Hardware Write Protection:
 - Write Protect all or portion of memory via software
 - Enable/Disable protection with WP# pin
- High performance program/erase speed
 - Page program time: 0.5 ms typical
 - Sector erase time: 40 ms typical
 - 32KB Block erase time: 0.12 s typical
 - 64KB Block erase time: 0.15 s typical
 - Chip erase time: 2 s typical
- OTP
 - 3 sets of OTP lockable 512 byte security sectors
- Support Serial Flash Discoverable Parameters (SFDP) signature
- Read Unique ID Number
- Write Suspend and Write Resume
- Volatile Status Register Bits
- Minimum 100K endurance cycle
- Data retention time 20 years
- Package Options
 - 8 pins SOP 150mil body width
 - 8 pins VSOP 150mil body width
 - 8 pins SOP 200mil body width
 - 8 contact USON (2x3x0.55 mm)
 - 8 contact USON (2x3x0.45 mm)
 - 8 contact VDFN / WSON (6x5mm)
 - 8 pins PDIP
 - All Pb-free packages are compliant RoHS, Halogen-Free and REACH.
- Industrial temperature Range

GENERAL DESCRIPTION

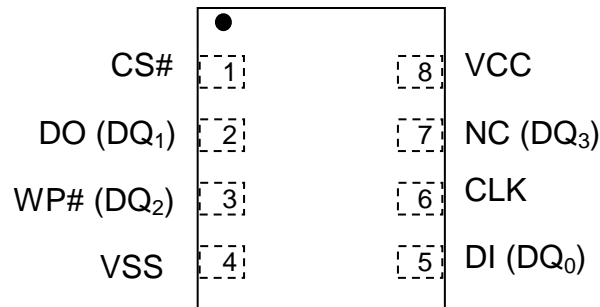
The device is a 4 Megabit (512 K-byte) Serial Flash memory, with enhanced write protection mechanisms. The device supports the standard Serial Peripheral Interface (SPI), and a high performance Dual/Quad output as well as Dual/Quad I/O using SPI pins: Serial Clock, Chip Select, Serial DQ₀(DI), DQ₁(DO), DQ₂(WP#) and DQ₃(NC). SPI clock frequencies of up to 104MHz are supported allowing equivalent clock rates of 208MHz (104MHz x 2) for Dual Output and 416MHz (104MHz x 4) for Quad Output when using the Dual/Quad I/O Fast Read instructions. The memory can be programmed 1 to 256 bytes at a time, using the Page Program instruction.

The device is designed to allow either single Sector/Block at a time or full chip erase operation. The device can be configured to protect part of the memory as the software protected mode. The device can sustain a minimum of 100K program/erase cycles on each sector or block.

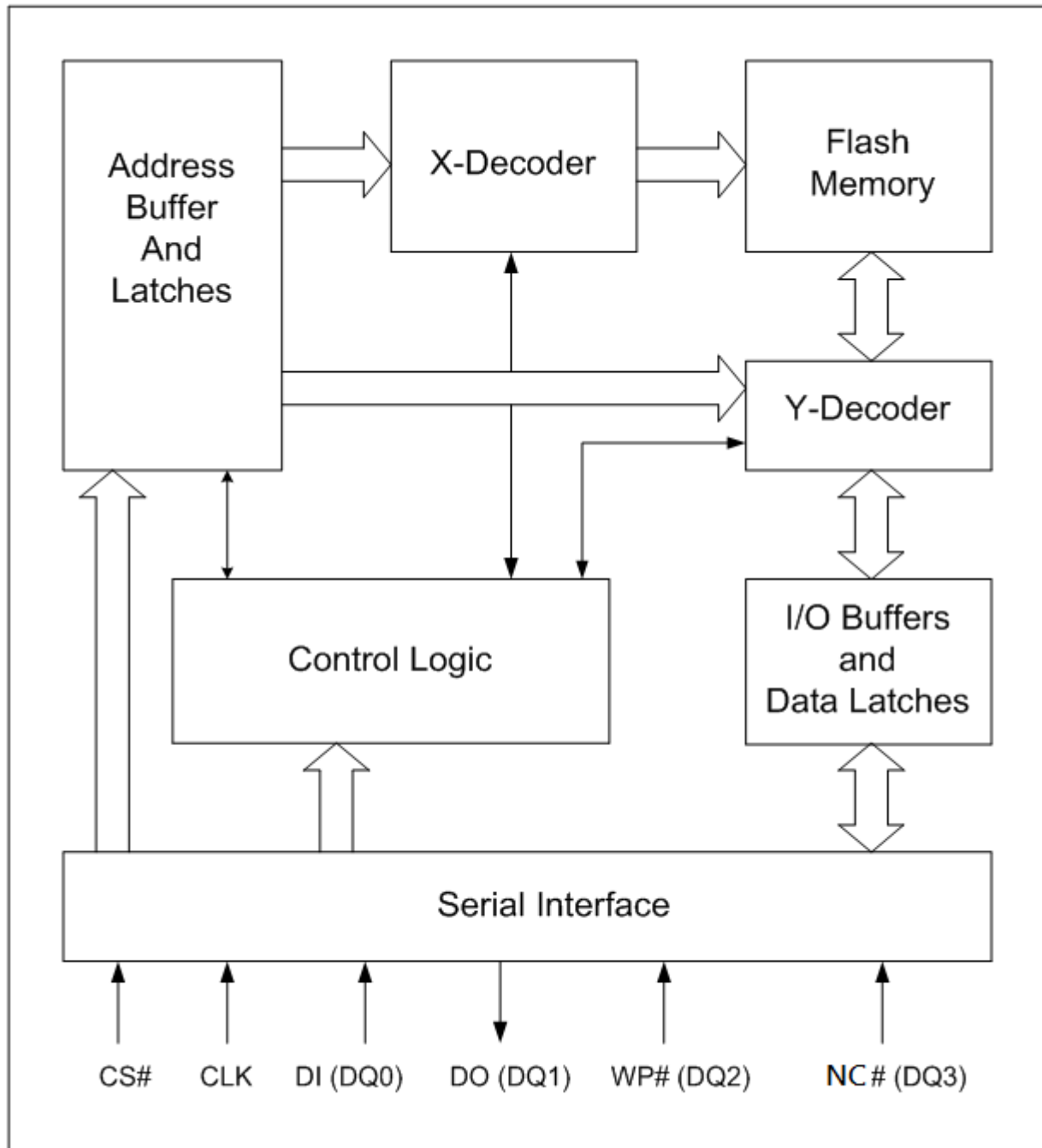
Figure.1 CONNECTION DIAGRAMS (TOP VIEW)



8 - LEAD SOP / VSOP / PDIP



8 - LEAD USON / VDFN / WSON

Figure 2. BLOCK DIAGRAM

Note:

1. DQ₀ and DQ₁ are used for Dual and Quad instructions.
2. DQ₀ ~ DQ₃ are used for Quad instructions.

Table 1. Pin Names

Symbol	Pin Name
CLK	Serial Clock Input
DI (DQ ₀)	Serial Data Input (Data Input Output 0) ^{*1}
DO (DQ ₁)	Serial Data Output (Data Input Output 1) ^{*1}
CS#	Chip Select
WP# (DQ ₂)	Write Protect (Data Input Output 2) ^{*2}
NC(DQ ₃)	NC pin (Data Input Output 3) ^{*2}
V _{CC}	Supply Voltage (2.3-3.6V)
V _{SS}	Ground
NC	No Connect

Note:

1. DQ₀ and DQ₁ are used for Dual and Quad instructions.
2. DQ₂ ~ DQ₃ are used for Quad instructions.

SIGNAL DESCRIPTION

Serial Data Input, Output and IOs (DI, DO and DQ₀, DQ₁, DQ₂, DQ₃)

The device support standard SPI, Dual SPI and Quad SPI operation. Standard SPI instructions use the unidirectional DI (input) pin to serially write instructions, addresses or data to the device on the rising edge of the Serial Clock (CLK) input pin. Standard SPI also uses the unidirectional DO (output) to read data or status from the device on the falling edge CLK.

Dual and Quad SPI instruction use the bidirectional IO pins to serially write instruction, addresses or data to the device on the rising edge of CLK and read data or status from the device on the falling edge of CLK.

Serial Clock (CLK)

The SPI Serial Clock Input (CLK) pin provides the timing for serial input and output operations. ("See SPI Mode")

Chip Select (CS#)

The SPI Chip Select (CS#) pin enables and disables device operation. When CS# is high the device is deselected and the Serial Data Output (DO, or DQ₀, DQ₁, DQ₂ and DQ₃) pins are at high impedance. When deselected, the devices power consumption will be at standby levels unless an internal erase, program or status register cycle is in progress. When CS# is brought low the device will be selected, power consumption will increase to active levels and instructions can be written to and data read from the device. After power-up, CS# must transition from high to low before a new instruction will be accepted.

Hold (HOLD#)

The HOLD# pin allows the device to be paused while it is actively selected. When HOLD# is brought low, while CS# is low, the DO pin will be at high impedance and signals on the DI and CLK pins will be ignored (don't care). The hold function can be useful when multiple devices are sharing the same SPI signals. The HOLD# function is only available for standard SPI and Dual SPI operation, when during Quad SPI, this pin is the Serial Data IO (DQ₃) for Quad I/O operation.

For this device, there is no HOLD# pin while shipping out from factory. User can enable it by setting SR4.1 bit (HDEN) in WRSR4.

Write Protect (WP#)

The Write Protect (WP#) pin enables the lock-down function of the Status Register Protect (SRP) bits in the Status Register. When WP# is driven low, the execution of the Write Status Register (WRSR) and Write Status Register 4 (WRSR4) instructions are determined by the value of the SRP bit (see Table 2). When WP# is high, the lock-down function of the SRP bit is disabled.

Table 2: Conditions to Execute Write-Status- Register (WRSR / WRSR4) Instruction

WP#	SRP	Execute WRSR / WRSR4 Instruction
L	1	Not Allowed
L	0	Allowed
H	X	Allowed

MEMORY ORGANIZATION

The memory is organized as:

- 524,288 bytes
- Uniform Sector Architecture
 - 16 blocks of 32-Kbyte
 - 8 blocks of 64-Kbyte
 - 128 sectors of 4-Kbyte
- 2,048 pages (256 bytes each)

Each page can be individually programmed (bits are programmed from 1 to 0). The device is Sector, Block or Chip Erasable but not Page Erasable.

Table 3. Uniform Block Sector Architecture

64KB Block	32KB Block	Sector	Address range	
7	15	127	07F000h	07FFFFh
		⋮	⋮	⋮
		120	078000h	078FFFh
	14	119	077000h	077FFFh
		⋮	⋮	⋮
6	13	112	070000h	070FFFh
		111	06F000h	06FFFFh
		⋮	⋮	⋮
	12	104	068000h	068FFFh
		103	067000h	067FFFh
5	11	⋮	⋮	⋮
		88	058000h	058FFFh
		87	057000h	057FFFh
	10	⋮	⋮	⋮
		80	050000h	050FFFh
4	9	79	04F000h	04FFFFh
		⋮	⋮	⋮
		72	048000h	048FFFh
	8	71	047000h	047FFFh
		⋮	⋮	⋮
3	7	64	040000h	040FFFh
		63	03F000h	03FFFFh
		⋮	⋮	⋮
	6	56	038000h	038FFFh
		55	037000h	037FFFh
2	5	⋮	⋮	⋮
		48	030000h	030FFFh
		47	02F000h	02FFFFh
	4	40	028000h	028FFFh
		39	027000h	027FFFh
1	3	⋮	⋮	⋮
		32	020000h	020FFFh
		31	01F000h	01FFFFh
	2	24	018000h	018FFFh
		23	017000h	017FFFh
0	1	⋮	⋮	⋮
		16	010000h	010FFFh
		15	00F000h	00FFFFh
	0	8	008000h	008FFFh
		7	007000h	007FFFh
0	0	⋮	⋮	⋮
		0	000000h	000FFFh

OPERATING FEATURES

Standard SPI Modes

The device is accessed through a SPI compatible bus consisting of four signals: Serial Clock (CLK), Chip Select (CS#), Serial Data Input (DI) and Serial Data Output (DO). Both SPI bus operation Modes 0 (0, 0) and 3 (1, 1) are supported. The primary difference between Mode 0 and Mode 3, as shown in Figure 3, concerns the normal state of the CLK signal when the SPI bus master is in standby and data is not being transferred to the Serial Flash. For Mode 0 the CLK signal is normally low. For Mode 3 the CLK signal is normally high. In either case data input on the DI pin is sampled on the rising edge of the CLK. Data output on the DO pin is clocked out on the falling edge of CLK.

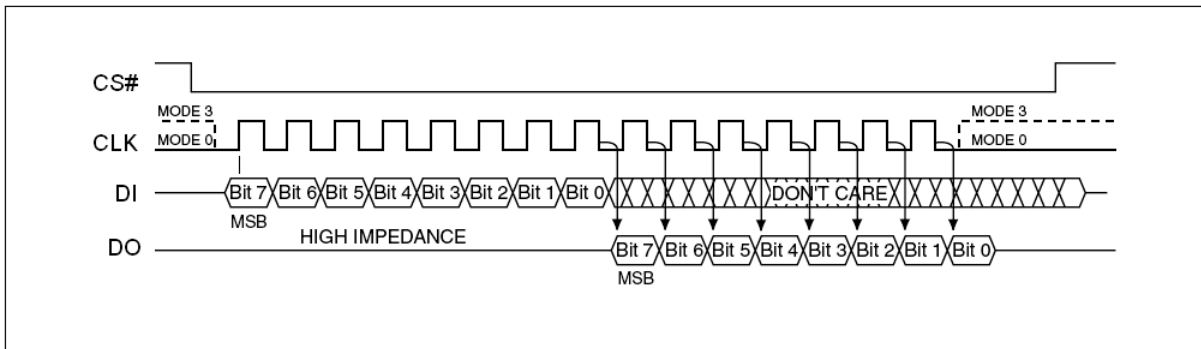


Figure 3. SPI Modes

Dual SPI Instruction

The device supports Dual SPI operation when using the “Dual Output Fast Read and Dual I/O Fast Read (3Bh and BBh)” instructions. These instructions allow data to be transferred to or from the Serial Flash memory at two to three times the rate possible with the standard SPI. The Dual Read instructions are ideal for quickly downloading code from Flash to RAM upon power-up (code-shadowing) or for application that cache code-segments to RAM for execution. The Dual output feature simply allows the SPI input pin to also serve as an output during this instruction. When using Dual SPI instructions the DI and DO pins become bidirectional I/O pins; DQ₀ and DQ₁. All other operations use the standard SPI interface with single output signal.

Quad I/O SPI Modes

The device supports Quad SPI operation when using the “Quad Output Fast Read and Quad I/O Fast Read (6Bh and EBh)” instructions. This instruction allows data to be transferred to or from the Serial Flash memory at four to six times the rate possible with the standard SPI. The Quad Read instruction offer a significant improvement in continuous and random access transfer rates allowing fast code-shadowing to RAM or for application that cache code-segments to RAM for execution. When using Quad SPI instruction the DI and DO pins become bidirectional I/O pins; DQ₀ and DQ₁, and the WP# and NC pins become DQ₂ and DQ₃ respectively.

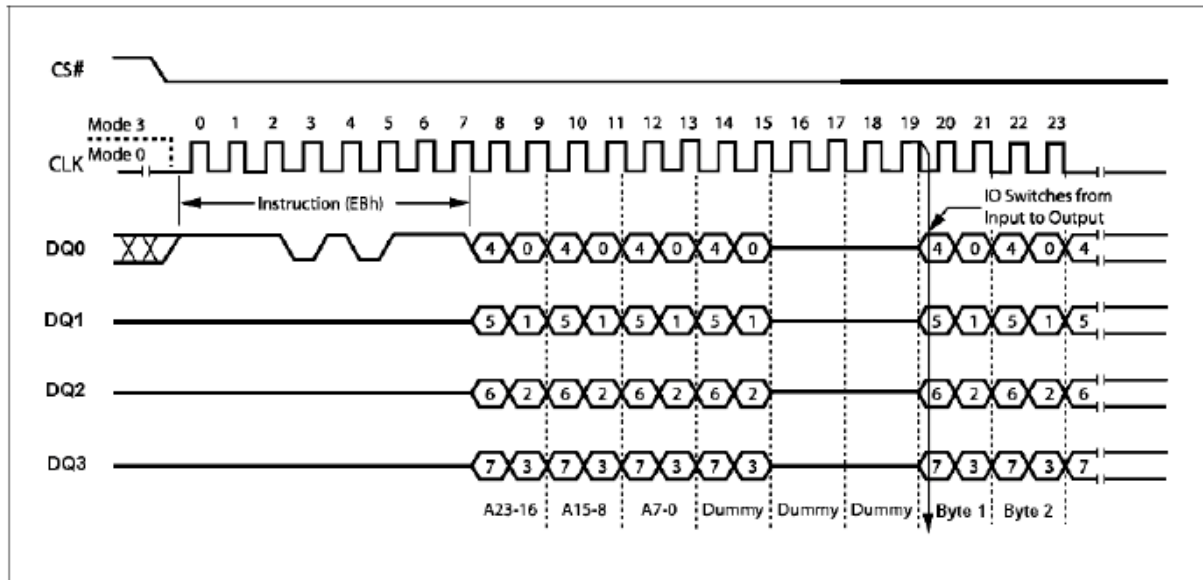


Figure 4. Quad I/O SPI Modes

Full Quad SPI Modes (QPI)

The device also supports Full Quad SPI Mode (QPI) function while using the Enable Quad Peripheral Interface mode (EQPI) (38h). When using Quad SPI instruction the DI and DO pins become bidirectional I/O pins; DQ₀ and DQ₁, and the WP# and NC pins become DQ₂ and DQ₃ respectively.

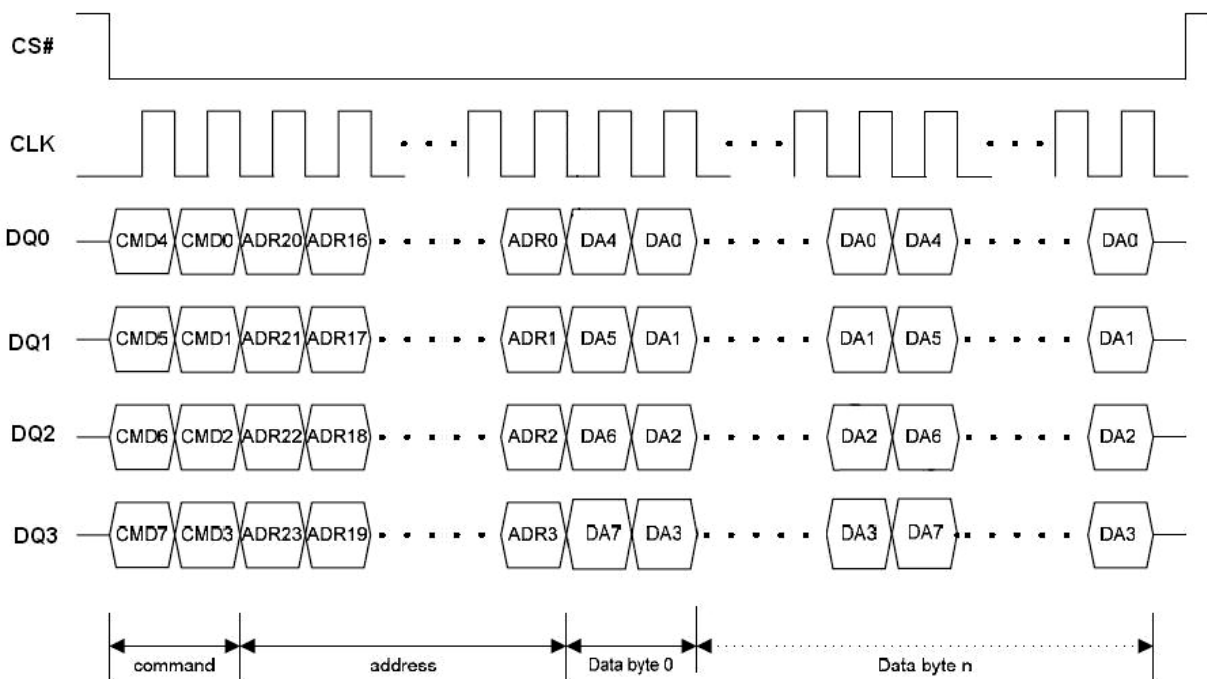


Figure 5. Full Quad SPI Modes

Page Programming

To program one data byte, two instructions are required: Write Enable (WREN), which is one byte, and a Page Program (PP) or Quad Input Page Program (QPP) sequence, which consists of four bytes plus data. This is followed by the internal Program cycle (of duration t_{PP}).

To spread this overhead, the Page Program (PP) or Quad Input Page Program (QPP) instruction allows up to 256 bytes to be programmed at a time (changing bits from 1 to 0) provided that they lie in consecutive addresses on the same page of memory.

Sector Erase, Half Block Erase, Block Erase and Chip Erase

The Page Program (PP) or Quad Input Page Program (QPP) instruction allows bits to be reset from 1 to 0. Before this can be applied, the bytes of memory need to have been erased to all 1s (FFh). A sector at a time using the Sector Erase (SE) instruction, half a block at a time using the Half Block Erase (HBE) instruction, a block at a time using the Block Erase (BE) instruction or throughout the entire memory, using the Chip Erase (CE) instruction. This starts an internal Erase cycle (of duration t_{SE} , t_{HBE} , t_{BE} or t_{CE}). The Erase instruction must be preceded by a Write Enable (WREN) instruction.

Polling During a Write, Program or Erase Cycle

A further improvement in the time to Write Status Register (WRSR), Write Status Register 4 (WRSR4), Program (PP, QPP) or Erase (SE, HBE, BE or CE) can be achieved by not waiting for the worst case delay (t_W , t_{PP} , t_{SE} , t_{HBE} , t_{BE} or t_{CE}). The Write In Progress (WIP) bit is provided in the Status Register so that the application program can monitor its value, polling it to establish when the previous Write cycle, Program cycle or Erase cycle is complete.

Active Power, Stand-by Power and Deep Power-Down Modes

When Chip Select (CS#) is Low, the device is enabled, and in the Active Power mode. When Chip Select (CS#) is High, the device is disabled, but could remain in the Active Power mode until all internal cycles have completed (Program, Erase, and Write Status Register). The device then goes into the Stand-by Power mode. The device consumption drops to I_{CC1} .

The Deep Power-down mode is entered when the specific instruction (the Enter Deep Power-down Mode (DP) instruction) is executed. The device consumption drops further to I_{CC2} . The device remains in this mode until another specific instruction (the Release from Deep Power-down Mode and Read Device ID (RDI) instruction) is executed.

All other instructions are ignored while the device is in the Deep Power-down mode. This can be used as an extra software protection mechanism, when the device is not in active use, to protect the device from inadvertent Write, Program or Erase instructions.

Write Protection

Applications that use non-volatile memory must take into consideration the possibility of noise and other adverse system conditions that may compromise data integrity. To address this concern the device provides the following data protection mechanisms:

- Power-On Reset and an internal timer (t_{PUW}) can provide protection against inadvertent changes while the power supply is outside the operating specification.
- Program, Erase and Write Status Register instructions are checked that they consist of a number of clock pulses that is a multiple of eight, before they are accepted for execution.
- All instructions that modify data must be preceded by a Write Enable (WREN) instruction to set the Write Enable Latch (WEL) bit. This bit is returned to its reset state by the following events:
 - Power-up
 - Write Disable (WRDI) instruction completion or Write Status Register (WRSR) / Write Status Register 4 (WRSR4) instruction completion or Page Program (PP) / Quad Input Page Program (QPP) / Sector Erase (SE) instruction completion or Half Block Erase (HBE) / Block Erase (BE) instruction completion or Chip Erase (CE) instruction completion
- The CMP, 4KBL, TB, BP2, BP1, BP0 bits allow part of the memory to be configured as read-only. This is the Software Protected Mode (SPM).
- The Write Protect (WP#) signal allows the CMP, 4KBL, TB, BP2, BP1, BP0, WPDIS, HDEN bits and Status Register Protect (SRP) bit to be protected. This is the Hardware Protected Mode (HPM).

- In addition to the low power consumption feature, the Deep Power-down mode offers extra software protection from inadvertent Write, Program and Erase instructions, as all instructions are ignored except one particular instruction (the Release from Deep Power-down instruction).

Table 4. Protected Area Sizes Sector Organization

Status Register Content ¹						Memory Content ²			
CMP	4KBL	TB	BP2	BP1	BP0	Protect Areas	Addresses	Density	Portion
0	0	0	0	0	0	None	None	None	None
0	0	0	0	0	1	Block 7	070000h-07FFFFh	64KB	Upper 1/8
0	0	0	0	1	0	Block 6 to7	060000h-07FFFFh	128KB	Upper 1/4
0	0	0	0	1	1	Block 4 to7	040000h-07FFFFh	256KB	Upper 1/2
0	0	0	1	0	0	All	000000h-07FFFFh	512KB	All
0	0	0	1	0	1	All	000000h-07FFFFh	512KB	All
0	0	0	1	1	0	All	000000h-07FFFFh	512KB	All
0	0	0	1	1	1	All	000000h-07FFFFh	512KB	All
0	0	1	0	0	0	None	None	None	None
0	0	1	0	0	1	Block 0	000000h-00FFFFh	64KB	Lower 1/8
0	0	1	0	1	0	Block 0 to 1	000000h-01FFFFh	128KB	Lower 1/4
0	0	1	0	1	1	Block 0 to 3	000000h-03FFFFh	256KB	Lower 1/2
0	0	1	1	0	0	All	000000h-07FFFFh	512KB	All
0	0	1	1	0	1	All	000000h-07FFFFh	512KB	All
0	0	1	1	1	0	All	000000h-07FFFFh	512KB	All
0	0	1	1	1	1	All	000000h-07FFFFh	512KB	All
0	1	0	0	0	0	None	None	None	None
0	1	0	0	0	1	Sector 127	07F000h-07FFFFh	4KB	Upper 1/128
0	1	0	0	1	0	Sector 126 to 127	07E000h-07FFFFh	8KB	Upper 1/64
0	1	0	0	1	1	Sector 124 to 127	07C000h-07FFFFh	16KB	Upper 1/32
0	1	0	1	0	0	Sector 120 to 127	078000h-07FFFFh	32KB	Upper 1/16
0	1	0	1	0	1	Sector 120 to 127	078000h-07FFFFh	32KB	Upper 1/16
0	1	0	1	1	0	Sector 120 to 127	078000h-07FFFFh	32KB	Upper 1/16
0	1	0	1	1	1	All	000000h-07FFFFh	512KB	All
0	1	1	0	0	0	None	None	None	None
0	1	1	0	0	1	Sector 0	000000h-000FFFh	4KB	Lower 1/128
0	1	1	0	1	0	Sector 0 to 1	000000h-001FFFh	8KB	Lower 1/64
0	1	1	0	1	1	Sector 0 to 3	000000h-003FFFh	16KB	Lower 1/32
0	1	1	1	0	0	Sector 0 to 7	000000h-007FFFh	32KB	Lower 1/16
0	1	1	1	0	1	Sector 0 to 7	000000h-007FFFh	32KB	Lower 1/16
0	1	1	1	1	0	Sector 0 to 7	000000h-007FFFh	32KB	Lower 1/16
0	1	1	1	1	1	All	000000h-07FFFFh	512KB	All

Table 4. Protected Area Sizes Sector Organization - Continued

Status Register Content ¹						Memory Content ²			
CMP	4KBL	TB	BP2	BP1	BP0	Protect Areas	Addresses	Density	Portion
1	0	0	0	0	0	All	000000h-07FFFFh	512KB	All
1	0	0	0	0	1	Block 0 to 6	000000h-06FFFFh	448KB	Lower 7/8
1	0	0	0	1	0	Block 0 to 5	000000h-05FFFFh	384KB	Lower 3/4
1	0	0	0	1	1	Block 0 to 3	000000h-03FFFFh	256KB	Lower 1/2
1	0	0	1	0	0	None	None	None	None
1	0	0	1	0	1	None	None	None	None
1	0	0	1	1	0	None	None	None	None
1	0	0	1	1	1	None	None	None	None
1	0	1	0	0	0	All	000000h-07FFFFh	512KB	All
1	0	1	0	0	1	Block 1 to7	010000h-07FFFFh	448KB	Upper 7/8
1	0	1	0	1	0	Block 2 to7	020000h-07FFFFh	384KB	Upper 3/4
1	0	1	0	1	1	Block 4 to7	040000h-07FFFFh	256KB	Upper 1/2
1	0	1	1	0	0	None	None	None	None
1	0	1	1	0	1	None	None	None	None
1	0	1	1	1	0	None	None	None	None
1	0	1	1	1	1	None	None	None	None
1	1	0	0	0	0	All	000000h-07FFFFh	512KB	All
1	1	0	0	0	1	Sector 0 to 126	000000h-07EFFFh	508KB	Lower 127/128
1	1	0	0	1	0	Sector 0 to 125	000000h-07DFFFh	504KB	Lower 63/64
1	1	0	0	1	1	Sector 0 to 123	000000h-07BFFFh	496KB	Lower 31/32
1	1	0	1	0	0	Sector 0 to 121	000000h-077FFFh	480KB	Lower 15/16
1	1	0	1	0	1	Sector 0 to 121	000000h-077FFFh	480KB	Lower 15/16
1	1	0	1	1	0	Sector 0 to 121	000000h-077FFFh	480KB	Lower 15/16
1	1	0	1	1	1	None	None	None	None
1	1	1	0	0	0	All	000000h-07FFFFh	512KB	All
1	1	1	0	0	1	Sector 1 to 127	001000h-07FFFFh	508KB	Upper 127/128
1	1	1	0	1	0	Sector 2 to 127	002000h-07FFFFh	504KB	Upper 63/64
1	1	1	0	1	1	Sector 4 to 127	004000h-07FFFFh	496KB	Upper 31/32
1	1	1	1	0	0	Sector 8 to 127	008000h-07FFFFh	480KB	Upper 15/16
1	1	1	1	0	1	Sector 8 to 127	008000h-07FFFFh	480KB	Upper 15/16
1	1	1	1	1	0	Sector 8 to 127	008000h-07FFFFh	480KB	Upper 15/16
1	1	1	1	1	1	None	None	None	None

Notes:

1. X = don't care
2. If any Erase or Program command specifies a memory region that contains protected data portion, this command will be ignored.

Enable Boot Lock

The Enable Boot Lock feature enables user to lock the 64KB block/sector on the top/bottom of the device for protection. This feature is activated by issue Writing Status Register (05h) after entering OTP mode.

The bits' definitions are described in the following table.

Table 5. The Enable Boot Lock feature

Register	Type	Description	Function
Normal Mode			
SR6	Non-Volatile / Volatile	4KBL (64KB-Block/Sector switch)	0 : 64KB-Block (default) 1 : Sector
SR5	Non-Volatile / Volatile	TB (Top/Bottom switch)	0 : Top (default) 1 : Bottom
OTP Mode			
SR3	OTP / Volatile	EBL (Enable 64KB-block/Sector Boot lock)	0 (default) 1 : Permanent lock selected 64KB-Block/Sector

INSTRUCTIONS

All instructions, addresses and data are shifted in and out of the device, most significant bit first. Serial Data Input (DI) is sampled on the first rising edge of Serial Clock (CLK) after Chip Select (CS#) is driven Low. Then, the one-byte instruction code must be shifted in to the device, most significant bit first, on Serial Data Input (DI), each bit being latched on the rising edges of Serial Clock (CLK).

The instruction set is listed in Table 6. Every instruction sequence starts with a one-byte instruction code. Depending on the instruction, this might be followed by address bytes, or by data bytes, or by both or none. Chip Select (CS#) must be driven High after the last bit of the instruction sequence has been shifted in. In the case of a Read Data Bytes (READ), Read Data Bytes at Higher Speed (Fast_Read), Dual Output Fast Read (3Bh), Dual I/O Fast Read (BBh), Quad Output Fast Read (6Bh), Quad I/O Fast Read (EBh), Read Status Register (RDSR), Read Status Register 2 (RDSR2), Read Status Register 4 (RDSR4) or Release from Deep Power-down, and Read Device ID (RDI) instruction, the shifted-in instruction sequence is followed by a data-out sequence. Chip Select (CS#) can be driven High after any bit of the data-out sequence is being shifted out.

In the case of a Page Program (PP), Quad Input Page Program (QPP), Sector Erase (SE), Half Block Erase (HBE), Block Erase (BE), Chip Erase (CE), Write Status Register (WRSR), Write Status Register 4 (WRSR4), Volatile Status Register Write Enable, Write Enable (WREN), Write Disable (WRDI) or Deep Power-down (DP) instruction, Chip Select (CS#) must be driven High exactly at a byte boundary, otherwise the instruction is rejected, and is not executed. That is, Chip Select (CS#) must be driven High when the number of clock pulses after Chip Select (CS#) being driven Low is an exact multiple of eight. For Page Program, if at any time the input byte is not a full byte, nothing will happen and WEL will not be reset.

In the case of multi-byte commands of Page Program (PP), Quad Input Page Program (QPP) and Release from Deep Power Down (RES) minimum number of bytes specified has to be given, without which, the command will be ignored.

In the case of Page Program, if the number of byte after the command is less than 4 (at least 1 data byte), it will be ignored too. In the case of SE, HBE and BE, exact 24-bit address is a must, any less or more will cause the command to be ignored.

All attempts to access the memory array during a Write Status Register cycle, Program cycle or Erase cycle are ignored, and the internal Write Status Register cycle, Program cycle or Erase cycle continues unaffected.

Table 6A. Instruction Set

Instruction Name	Byte 1 Code	Byte 2	Byte 3	Byte 4	Byte 5	Byte 6	n-Bytes
EQPI	38h						
RSTQIO ⁽¹⁾ Release Quad I/O or Fast Read Enhanced Mode	FFh						
RSTEN	66h						
RST ⁽²⁾	99h						
Write Enable (WERN)	06h						
Volatile Status Register Write Enable ⁽³⁾	50h						
Write Disable (WRDI)/ Exit OTP mode	04h						
Read Status Register (RDSR)	05h	(SR7-SR0) ⁽⁴⁾					continuous ⁽⁵⁾
Read Status Register 2 (RDSR2)	09h	(SR2.7-SR2.0) ⁽⁴⁾					continuous ⁽⁵⁾
Read Status Register 4 (RDSR4)	85h	(SR4.7-SR4.0) ⁽⁴⁾					continuous ⁽⁵⁾
Write Status Register (WRSR)	01h	SR7-SR0					
Write Status Register 4 (WRSR4)	C1h	SR4.7-SR4.0					
Write Suspend	B0h						
Write Resume	30h						
Deep Power-down	B9h						
Release from Deep Power-down, and read Device ID (RES)	ABh	dummy	dummy	dummy	(ID7-ID0)		(6)
Release from Deep Power-down (RDP)							
Manufacturer/ Device ID	90h	dummy	dummy	00h	(M7-M0)	(ID7-ID0)	(7)
				01h	(ID7-ID0)	(M7-M0)	
Read Identification (RDID)	9Fh	(M7-M0)	(ID15-ID8)	(ID7-ID0)	(8)		
Enter OTP mode	3Ah						
Read SFDP mode and Unique ID Number	5Ah	A23-A16	A15-A8	A7-A0	dummy	(D7-D0)	(Next Byte) continuous

Notes:

1. Device accepts eight-clocks command in Standard SPI mode, or two-clocks command in Quad SPI mode
2. RST command only executed if RSTEN command is executed first. Any intervening command will disable Reset.
3. Volatile Status Register Write Enable command must precede WRSR / WRSR4 command without any intervening commands to write data to Volatile Status Register / Volatile Status Register 4.
4. Data bytes are shifted with Most Significant Bit first. Byte fields with data in parenthesis “ () ” indicate data being read from the device on the DO pin
5. The Status Register contents will repeat continuously until CS# terminate the instruction
6. The Device ID will repeat continuously until CS# terminates the instruction
7. The Manufacturer ID and Device ID bytes will repeat continuously until CS# terminates the instruction. 00h on Byte 4 starts with MID and alternate with DID, 01h on Byte 4 starts with DID and alternate with MID
8. (M7-M0) : Manufacturer, (ID15-ID8) : Memory Type, (ID7-ID0) : Memory Capacity

Table 6B. Instruction Set (Read Instruction)

Instruction Name	OP Code	Address bits	Dummy bits / Clocks (Default)	Data Out	Remark
Read Data	03h	24 bits	0	(D7-D0, ...)	(Next Byte) continuous
Fast Read	0Bh	24 bits	8 bits / 8 clocks	(D7-D0, ...)	(Next Byte) continuous
Dual Output Fast Read	3Bh	24 bits	8 bits / 8 clocks	(D7-D0, ...)	(one byte Per 4 clocks, continuous)
Dual I/O Fast Read	BBh	24 bits	8 bits / 4 clocks	(D7-D0, ...)	(one byte Per 4 clocks, continuous)
Quad Output Fast Read	6Bh	24 bits	8 bits / 8 clocks	(D7-D0, ...)	(one byte per 2 clocks, continuous)
Quad I/O Fast Read	EBh	24 bits	32 bits / 6 clocks	(D7-D0, ...)	(one byte per 2 clocks, continuous)

Table 6C. Instruction Set (Program Instruction)

Instruction Name	OP Code	Address bits	Dummy bits / Clocks (Default)	Data Out	Remark
Page Program (PP)	02h	24 bits	0	(D7-D0, ...)	(Next Byte) continuous
Quad Input Page Program (QPP)	32h	24 bits	0	(D7-D0, ...)	(one byte per 2 clocks, continuous)

Table 6D. Instruction Set (Erase Instruction)

Instruction Name	OP Code	Address bits	Dummy bits / Clocks (Default)	Data Out	Remark
Sector Erase (SE)	20h	24 bits	0	(D7-D0, ...)	
32K Half Block Erase (HBE)	52h	24 bits	0	(D7-D0, ...)	
64K Block Erase (BE)	D8h	24 bits	0	(D7-D0, ...)	
Chip Erase (CE)	C7h/ 60h	24 bits	0	(D7-D0, ...)	

Table 6E. Instruction Set (Read Instruction support mode and dummy cycle setting)

Instruction Name	OP Code	Start From SPI/QPI ⁽¹⁾		Dummy Cycle	
		SPI	QPI	SPI	QPI
Read Data	03h	Yes	No	N/A	N/A
Fast Read	0Bh	Yes	Yes	8 clocks	6 clocks
Dual Output Fast Read	3Bh	Yes	No	8 clocks	N/A
Dual I/O Fast Read	BBh	Yes	No	4 clocks	N/A
Quad Output Fast Read	6Bh	Yes	No	8 clocks	N/A
Quad I/O Fast Read	EBh	Yes	Yes	6 clocks	6 clocks
Quad I/O Fast Read Enhance Performance Mode	EBh	Yes	Yes	6 clocks (2 clocks are performance enhance indicator)	6 clocks (2 clocks are performance enhance indicator)

Note:

1. 'Start From SPI/QPI' means if this command is initiated from SPI or QPI mode.

Table 7. Manufacturer and Device Identification

OP Code	(M7-M0)	(ID15-ID0)	(ID7-ID0)
ABh			12h
90h	1Ch		12h
9Fh	1Ch	3013h	

Enable Quad Peripheral Interface mode (EQPI) (38h)

The Enable Quad Peripheral Interface mode (EQPI) instruction will enable the flash device for Quad SPI bus operation. Upon completion of the instruction, all instructions thereafter will be 4-bit multiplexed input/output until a power cycle or “Reset Quad I/O” instruction, as shown in Figure 6. The device did not support the Read Data Bytes (READ) (03h), Dual Output Fast Read (3Bh), Dual I/O Fast Read (BBh), Quad Output Fast Read (6Bh) and Quad Input Page Program (32h) modes while the Enable Quad Peripheral Interface mode (EQPI) (38h) turns on.

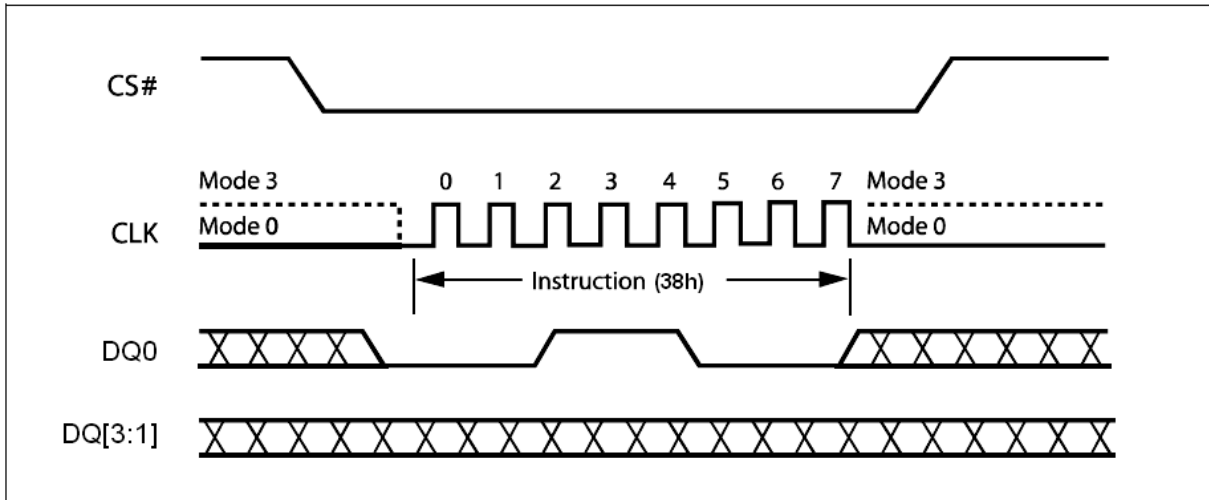


Figure 6. Enable Quad Peripheral Interface mode Sequence Diagram

Reset Quad I/O (RSTQIO) or Release Quad I/O Fast Read Enhancement Mode (FFh)

The Reset Quad I/O instruction resets the device to 1-bit Standard SPI operation. To execute a Reset Quad I/O operation, the host drives CS# low, sends the Reset Quad I/O command cycle (FFh) then, drives CS# high. This command can't be used in Standard SPI mode.

User also can use the 0xFFh command to release the Quad I/O Fast Read Enhancement Mode. The detail description, please see the Quad I/O Fast Read Enhancement Mode section.

Note:

If the system is in the Quad I/O Fast Read Enhance Mode in QPI Mode, it is necessary to execute 0xFFh command by two times. The first 0xFFh command is to release Quad I/O Fast Read Enhance Mode, and the second 0xFFh command is to release QPI Mode.

Reset-Enable (RSTEN) (66h) and Reset (RST) (99h)

The Reset operation is used as a system (software) reset that puts the device in normal operating Ready mode. This operation consists of two commands: Reset-Enable (RSTEN) and Reset (RST).

To reset the device the host drives CS# low, sends the Reset-Enable command (66h), and drives CS# high. Next, the host drives CS# low again, sends the Reset command (99h), and drives CS# high.

The Reset operation requires the Reset-Enable command followed by the Reset command. Any command other than the Reset command after the Reset-Enable command will disable the Reset-Enable.

A successful command execution will reset the Status register to data = 00h, see Figure 7 for SPI Mode and Figure 7.1 for QPI Mode. A device reset during an active Program or Erase operation aborts the operation, which can cause the data of the targeted address range to be corrupted or lost. Depending on the prior operation, the reset timing may vary. Recovery from a Write operation requires more software latency time (t_{SR}) than recovery from other operations. Please Figure 7.2.

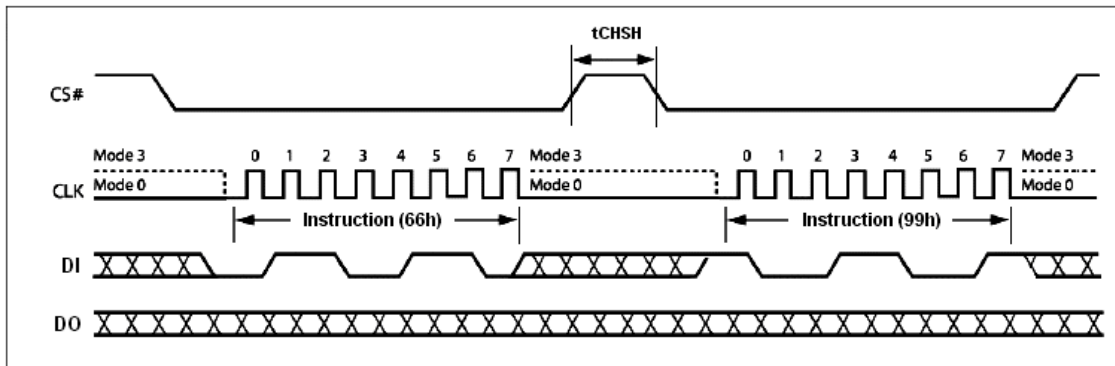


Figure 7. Reset-Enable and Reset Sequence Diagram

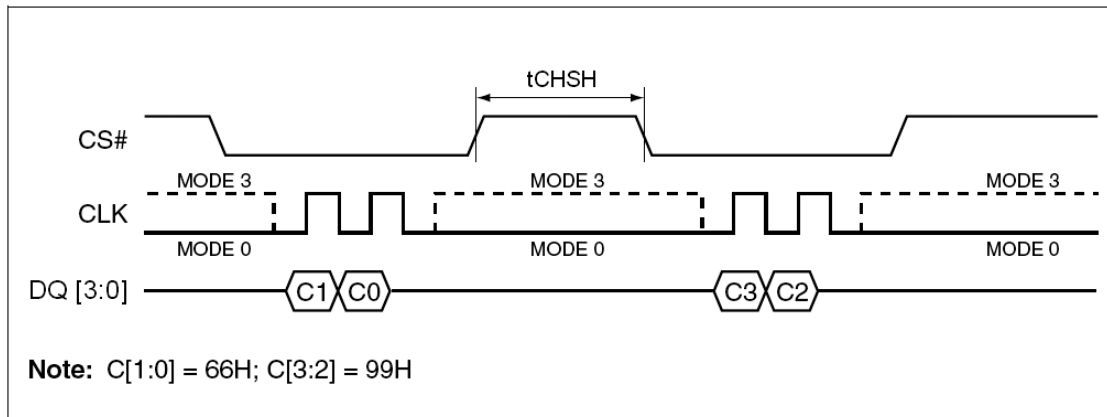


Figure 7.1 Reset-Enable and Reset Sequence Diagram in QPI Mode

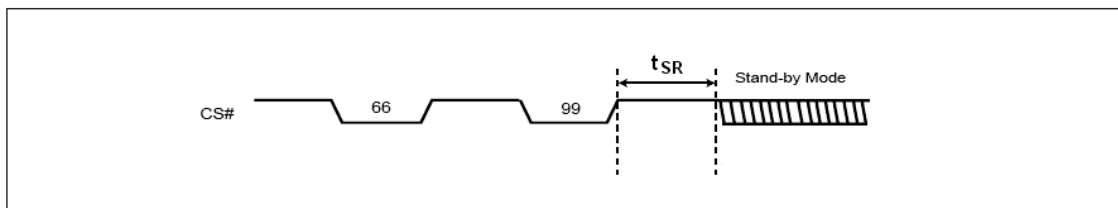
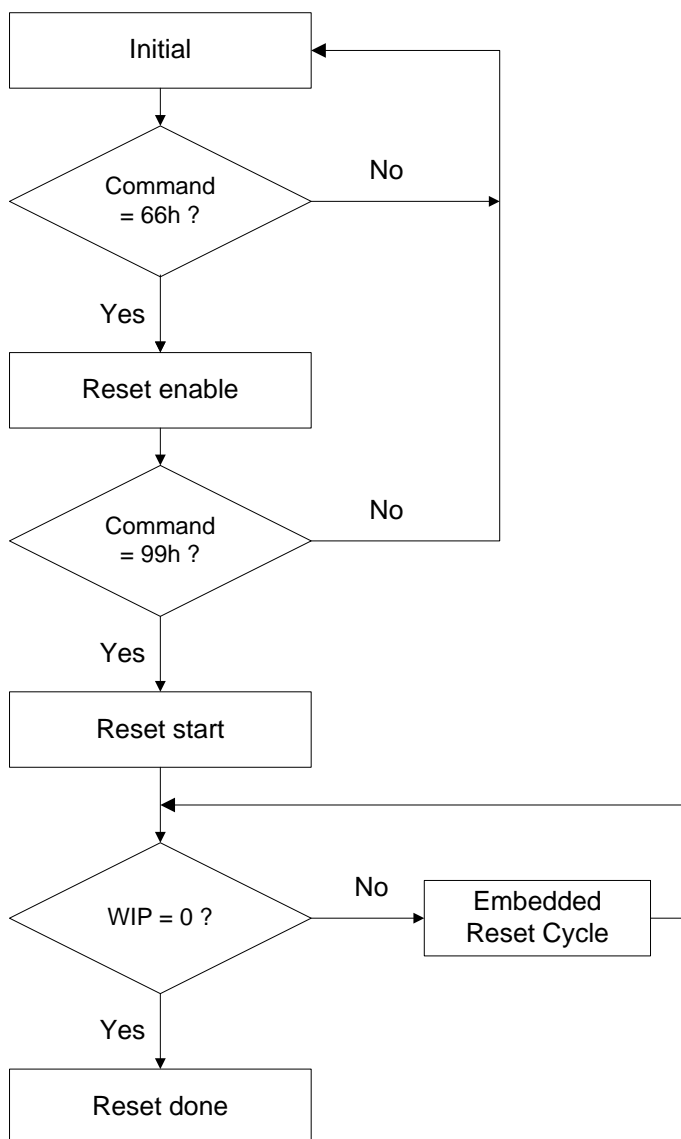


Figure 7.2 Software Reset Recovery

Software Reset Flow

Note:

1. Reset-Enable (RSTEN) (66h) and Reset (RST) (99h) commands need to match standard SPI or QPI (Full Quad) mode.
2. Continue (Enhance) EB mode need to use quad Reset-Enable (RSTEN) (66h) and quad Reset (RST) (99h) commands.
3. If user is not sure it is in SPI or Quad mode, we suggest to execute sequence as follows:
Quad Reset-Enable (RSTEN) (66h) -> Quad Reset (RST) (99h) -> SPI Reset-Enable (RSTEN) (66h) -> SPI Reset (RST) (99h) to reset.
4. The reset command could be executed during embedded program and erase process, QPI mode and Continue EB mode and suspend mode to back to SPI mode.
5. This flow cannot release the device from Deep power down mode.
6. The Status Register Bit and Status Register 2 Bit will reset to default value after reset done.
7. If user reset device during erase, the embedded reset cycle software reset latency will take about 28us in worst case.
8. User can't do software reset command while doing 4K/32K erase operation.

Write Enable (WREN) (06h)

The Write Enable (WREN) instruction (Figure 8) sets the Write Enable Latch (WEL) bit. The Write Enable Latch (WEL) bit must be set prior to every Page Program (PP), Quad Input Page Program (QPP), Sector Erase (SE), Half Block Erase (HBE), Block Erase (BE), Chip Erase (CE), Write Status Register (WRSR) and Write Status Register 4 (WRSR4) instruction.

The Write Enable (WREN) instruction is entered by driving Chip Select (CS#) Low, sending the instruction code, and then driving Chip Select (CS#) High.

The instruction sequence is shown in Figure 10.1 while using the Enable Quad Peripheral Interface mode (EQPI) (38h) command.

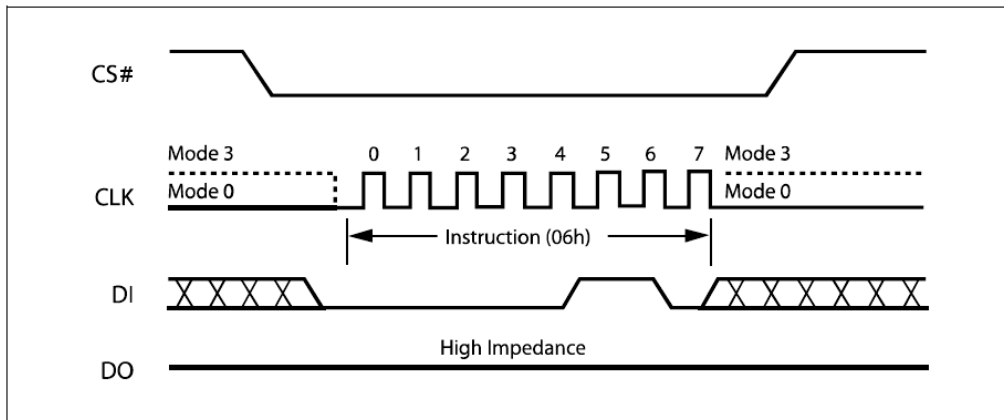


Figure 8. Write Enable Instruction Sequence Diagram

Volatile Status Register Write Enable (50h)

This feature enable user to change memory protection schemes quickly without waiting for the typical non-volatile bit write cycles or affecting the endurance of the Status Register non-volatile bits. The Volatile Status Register Write Enable (50h) command won't set the Write Enable Latch (WEL) bit, it is only valid for Write Status Register (01h) and Write Status Register 4 (C1h) commands to change the Volatile Status Register / Volatile Status Register 4 bit values.

To write to Volatile Status Register / Volatile Status Register 4, issue the Volatile Status Register Write Enable (50h) command prior issuing WRSR (01h) and WRSR4 (C1h). The Status Register bits will be refresh to Volatile Status Register (SR[7:2]) or Volatile Status Register 4 (SR4[7:2]) within t_{SHSL2} (50ns). Upon power off or the execution of a Software/Hardware Reset, the Volatile Status Register / Volatile Status Register 4 bit values will be lost, and the Non-volatile Status Register / Non-volatile Status Register 4 bit values will be restored. The instruction sequence is shown in Figure 9.

The instruction sequence is shown in Figure 10.1 while using the Enable Quad Peripheral Interface mode (EQPI) (38h) command.

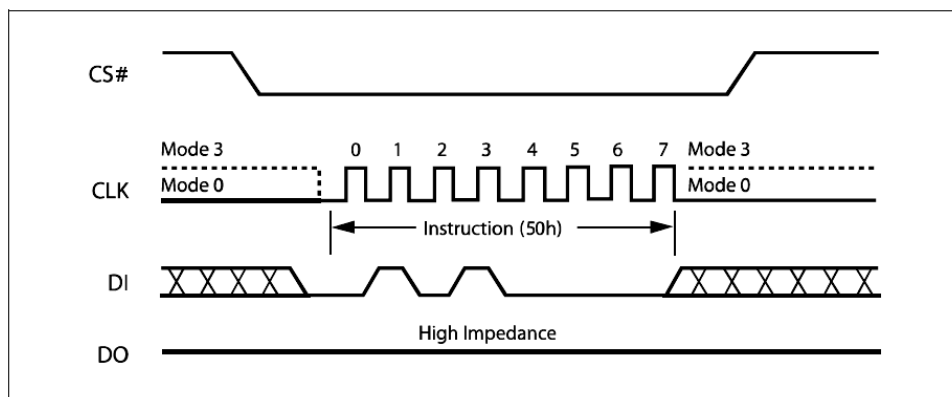


Figure 9. Volatile Status Register / Volatile Status Register 4 Write Enable Instruction Sequence Diagram

Write Disable (WRDI) (04h)

The Write Disable instruction (Figure 10) resets the Write Enable Latch (WEL) bit in the Status Register to a 0 or exit from OTP mode to normal mode. The Write Disable instruction is entered by driving Chip Select (CS#) low, shifting the instruction code “04h” into the DI pin and then driving Chip Select (CS#) high. Note that the WEL bit is automatically reset after Power-up and upon completion of the Write Status Register, Page Program, Sector Erase, Half Block Erase (HBE), Block Erase (BE) and Chip Erase instructions.

The instruction sequence is shown in Figure 10.1 while using the Enable Quad Peripheral Interface mode (EQPI) (38h) command.

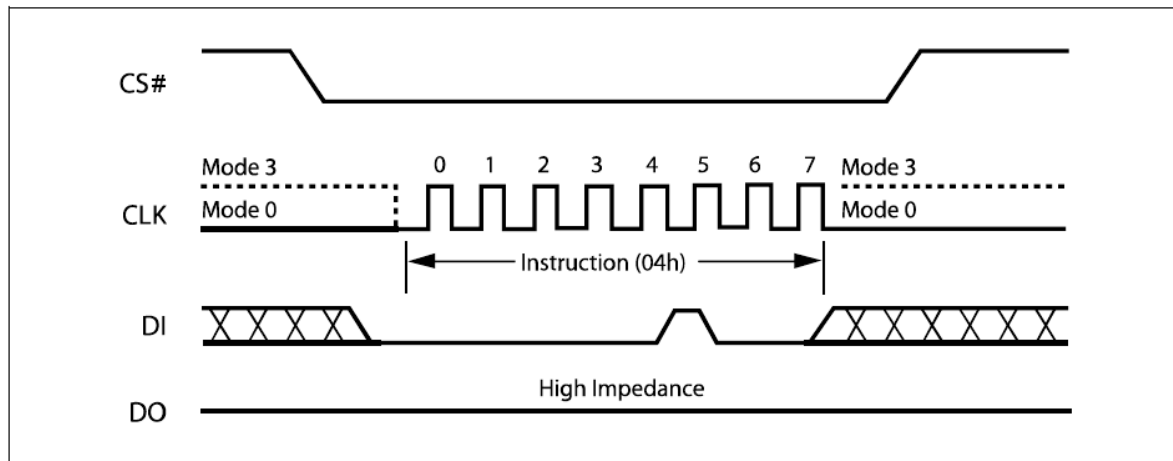


Figure 10. Write Disable Instruction Sequence Diagram

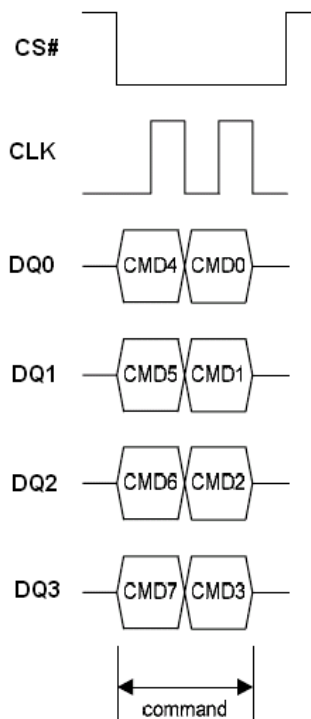


Figure 10.1 Write Enable/Disable Instruction Sequence in QPI Mode

Read Status Register (RDSR) (05h)

The Read Status Register (RDSR) instruction allows the Status Register to be read. The Status Register may be read at any time, even while a Program, Erase or Write Status Register cycle is in progress. When one of these cycles is in progress, it is recommended to check the Write In Progress (WIP) bit before sending a new instruction to the device. It is also possible to read the Status Register continuously, as shown in Figure 11.

The instruction sequence is shown in Figure 11.1 while using the Enable Quad Peripheral Interface mode (EQPI) (38h) command.

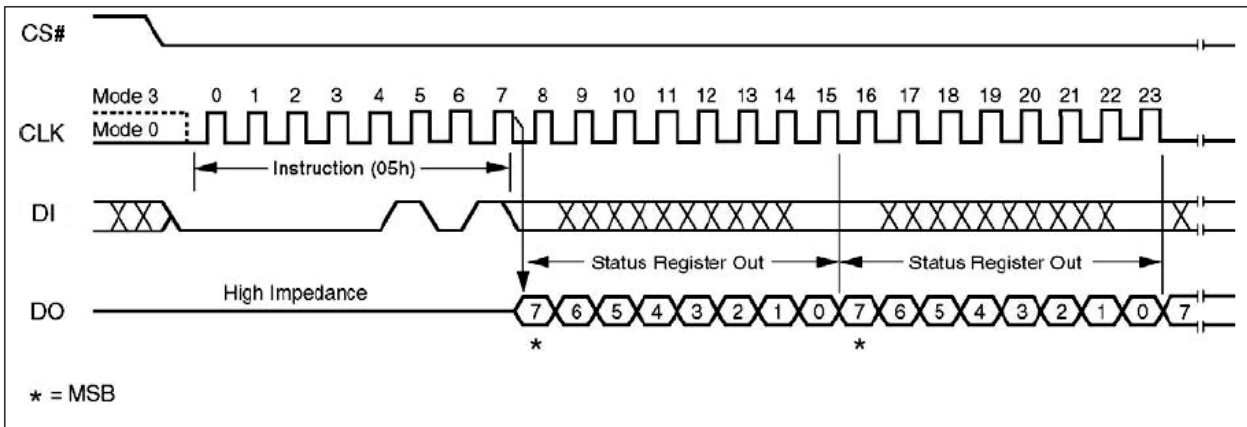


Figure 11. Read Status Register Instruction Sequence Diagram

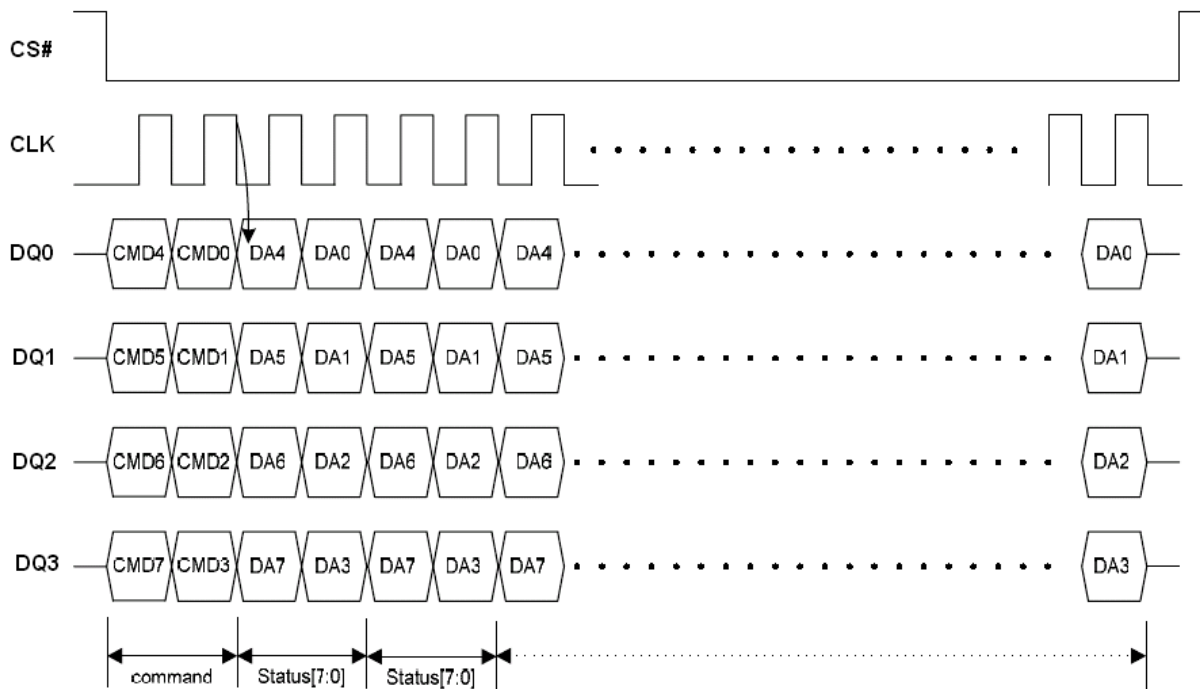


Figure 11.1 Read Status Register Instruction Sequence in QPI Mode

Table 8. Status Register Bit Locations

SR7	SR6	SR5	SR4	SR3	SR2	SR1	SR0
SRP	4KBL	TB	BP2	BP1	BP0	WEL	WIP
SPL0	reversed	reversed	reversed	EBL	SPL1	SPL2	WIP

Table 8.1 Status Register Bit Locations (In Normal mode)

SR7	SR6	SR5	SR4	SR3	SR2	SR1	SR0
SRP (Status Register Protect)	4KBL (4KB boot lock)	TB (Top / Bottom Protect)	BP2 (Block Protected)	BP1 (Block Protected)	BP0 (Block Protected)	WEL (Write Enable Latch)	WIP (Write In Progress)
1 = status register write disable	1 = Sector 0 = 64KB Block (default 0)	1 = Bottom 0 = Top (default 0)	(note 2)	(note 2)	(note 2)	1 = write enable 0 = not write enable	1 = write operation 0 = not in write operation
Volatile / Non-volatile bit	Volatile / Non-volatile bit	Volatile / Non-volatile bit	Volatile / Non-volatile bit	Volatile / Non-volatile bit	Volatile / Non-volatile bit	Read only bit	Read only bit

Table 8.2 Status Register Bit Locations (In OTP mode)

SR7	SR6	SR5	SR4	SR3	SR2	SR1	SR0
SPL0				EBL (Enable Boot Lock)	SPL1	SPL2	WIP (Write In Progress bit)
1 = security sector 0 is protected	Reserved bit	Reserved bit	Reserved bit	1 = lock selected 64KB-Block/Sector	1 = security sector 1 is protected	1 = security sector 2 is protected	1 = write operation 0 = not in write operation
OTP / Volatile bit				OTP / Volatile bit	OTP / Volatile bit	OTP / Volatile bit	Read only bit

Note:

1. In OTP mode, SR7 bit is served as SPL0 bit; SR3 bit is served as EBL bit; SR2 bit is served as SPL1 bit ; SR1 bit is served as SPL2 bit and SR0 bit is served as WIP bit.
2. See the table 4 “Protected Area Sizes Sector Organization”.

The status and control bits of the Status Register are as follows:

WIP bit. The Write In Progress (WIP) bit indicates whether the memory is busy with a Write Status Register, Program or Erase cycle. When set to 1, such a cycle is in progress, when reset to 0 no such cycle is in progress.

WEL bit. The Write Enable Latch (WEL) bit indicates the status of the internal Write Enable Latch. When set to 1 the internal Write Enable Latch is set, when set to 0 the internal Write Enable Latch is reset and no Write Status Register, Program or Erase instruction is accepted.

BP2, BP1, BP0 bits. The Block Protect (BP2, BP1, BP0) bits are non-volatile. They define the size of the area to be software protected against Program and Erase instructions. These bits are written with the Write Status Register (WRSR) instruction. When one or both of the Block Protect (BP2, BP1, BP0) bits is set to 1, the relevant memory area (as defined in Table 4.) becomes protected against Page Program (PP), Quad Input Page Program (QPP), Sector Erase (SE) and Block Erase (HBE/BE), instructions. The Block Protect (BP2, BP1, BP0) bits can be written provided that the Hardware Protected mode has not been set. The Chip Erase (CE) instruction is executed if all memory regions aren't protected by the Block Protect (CMP, 4KBL, TB, BP2, BP1, BP0) bits and EBL bit is 0.

TB bit. The Top/Bottom Protect Bit (TB) controls if the Block Protect Bits (BP2, BP1, BP0) protect from the Top (TB = 0) or the Bottom (TB = 1) of the array as shown in the Protected Area Sizes Sector Organization table. It also controls if the Top (TB=0) or the Bottom (TB=1) 64KB-block/sector is protected when Boot Lock feature is enabled. The factory default setting is TB = 0. The TB bit can be set with the Write Status Register instruction.

4KBL bit. The 4KB Boot Lock bit (4KBL) is set by WRSR command. It is used to set the protection area size as block (64KB) or sector (4KB) while EBL bit is set to 1. 4KBL also controls Block Protect Table, please refer to Protected Area Sizes Sector Organization Table.

SRP bit. The Status Register Protect (SRP) bit is operated in conjunction with the Write Protect (WP#) signal. The Status Register Write Protect (SRP) bit and Write Protect (WP#) signal allow the device to be put in the Hardware Protected mode (when the Status Register Protect (SRP) bit is set to 1, and Write Protect (WP#) is driven Low). In this mode, the non-volatile bits of the Status Register (SRP, 4KBL, TB, BP2, BP1, BP0) and Status Register 4 (CMP, WPDIS, HDEN) become read-only bits and the Write Status Register (WRSR) and Write Status Register 4 (WRSR4) instruction is no longer accepted for execution.

In OTP mode, SR7~SR0 are served as SPL0 bit, Reserved bit, Reserved bit, Reserved bit, EBL bit, SPL1 bit, SPL2 bit and WIP bit.

SPL2 bit. The SPL2 bit is non-volatile One Time Program (OTP) bit in status register that provide the write protect control and status to the security sector 2. User can read/program/erase security sector 2 as normal sector while SPL2 value is equal 0, after SPL2 is programmed with 1 by WRSR command, the security sector 2 is protected from program and erase operation. The SPL2 bit can only be programmed once.

SPL1 bit. The SPL1 bit is non-volatile One Time Program (OTP) bit in status register that provide the write protect control and status to the security sector 1. User can read/program/erase security sector 1 as normal sector while SPL1 value is equal 0, after SPL1 is programmed with 1 by WRSR command, the security sector 1 is protected from program and erase operation. The SPL1 bit can only be programmed once.

EBL bit. When this bit is programmed to '1' by WRSR command in OTP mode, the TB bit and 4KBL bit and the selected sector/block will be permanent locked.

SPL0 bit. The SPL0 bit is non-volatile One Time Program (OTP) bit in status register that provide the write protect control and status to the security sector 0. User can read/program/erase security sector 0 as normal sector while SPL0 value is equal 0, after SPL0 is programmed with 1 by WRSR command, the security sector 0 is protected from program and erase operation. The SPL0 bit can only be programmed once.

Reserved bit. In Status Register, SR6~SR4, in OTP mode is reserved for future use.

Read Status Register 2 (RDSR 2) (09h)

The Read Status Register 2 (RDSR2) instruction allows the Status Register 2 to be read. The Status Register 2 may be read at any time, even while a Write Suspend or Write Resume cycle is in progress. When one of these bytes is in progress, it is recommended to check the Write In Progress (WIP) bit before sending a new instruction to the device. It is also possible to read the Read Status Register 2 continuously, as shown in Figure 12.

The instruction sequence is shown in Figure 12.1 while using the Enable Quad Peripheral Interface mode (EQPI) (38h) command.

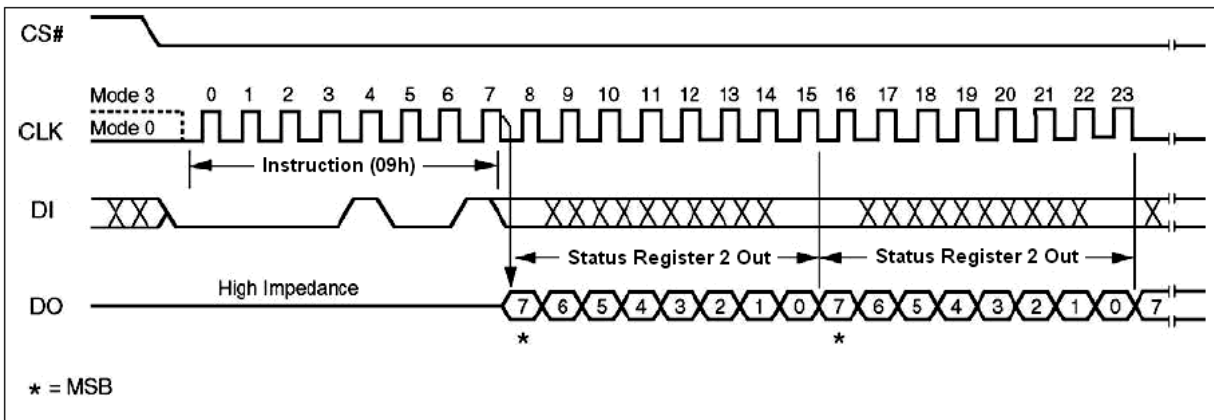


Figure 12. Read Status Register 2 Instruction Sequence Diagram

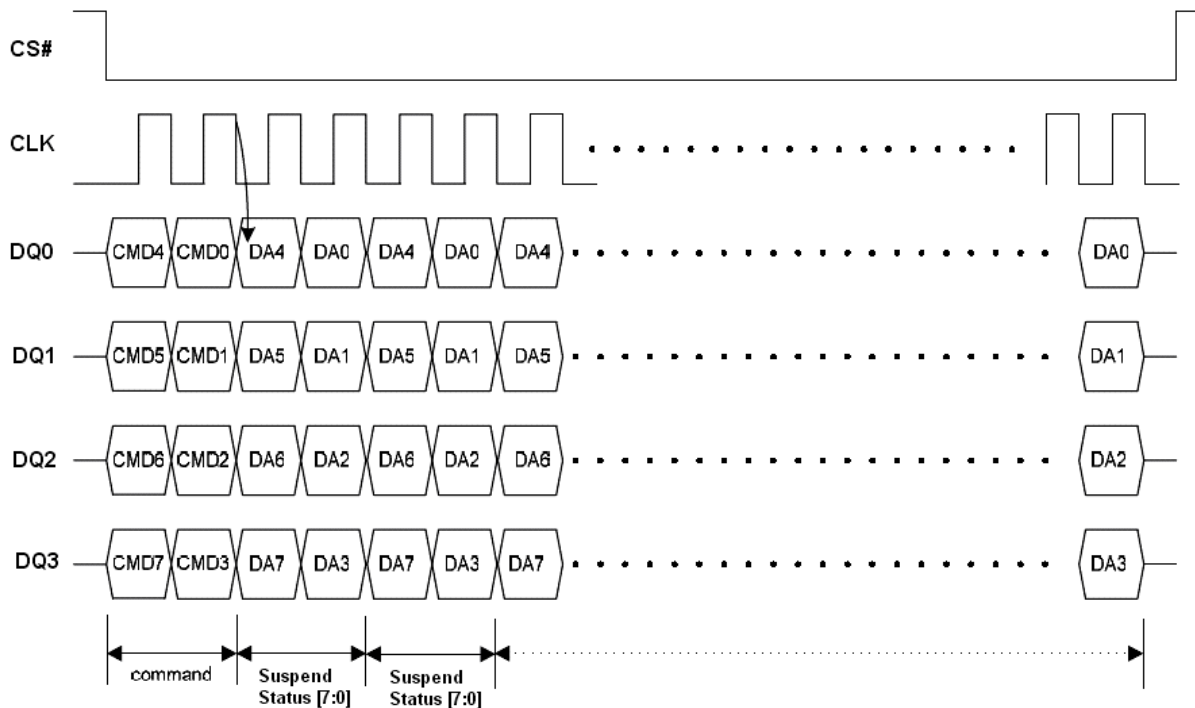


Figure 12.1 Read Status Register 2 Instruction Sequence in QPI Mode

Table 9. Status Register 2 Bit Locations

SR2.7	SR2.6	SR2.5	SR2.4	SR2.3	SR2.2	SR2.1	SR2.0
Reserved bit	Reserved bit	Reserved bit	Reserved bit	WSP (Write Suspend Program bits)	WSE (Write Suspend Erase status bit)	Reserved bit	WIP (Write In Progress bit) (Note 1)
				1 = Program suspended 0 = Program is not suspended	1 = Erase suspended 0 = Erase is not suspended		1 = write operation 0 = not in write operation
				Read Only	Read Only		Read Only

Note:

1. The default of each volatile bit is “0” at Power-up or after reset.
2. When executed the (RDSR 2) (09h) command, the WIP (SR2.0) value is the same as WIP (SR0) in table 8.

The status and control bits of the Status Register 2 are as follows:

WIP bit. The Write In Progress (WIP) bit indicates whether the memory is busy with a Write Status Register, Program or Erase cycle.

WSE bit. The Write Suspend Erase Status (WSE) bit indicates when an Erase operation has been suspended. The WSE bit is “1” after the host issues a suspend command during an Erase operation. Once the suspended Erase resumes, the WSE bit is reset to “0”.

WSP bit. The Write Suspend Program Status (WSP) bit indicates when a Program operation has been suspended. The WSP is “1” after the host issues a suspend command during the Program operation. Once the suspended Program resumes, the WSP bit is reset to “0”.

Reserved bit. In Status Register 2, SR2.1, SR2.4~SR2.7 are reserved for future use. Current devices will read 0 for these bit locations. It is recommended to mask out the reserved bit when testing the Status Register 2. Doing this will ensure compatibility with future devices.

Read Status Register 4 (RDSR4) (85h)

The Read Status Register 4 (RDSR4) instruction allows the Status Register 4 to be read. The Status Register 4 may be read at any time, even while a Program, Erase or Write Status Register 4 cycle is in progress. It is also possible to the Read Status Register 4 continuously, as shown in Figure 13.

The instruction sequence is shown in Figure 13.1 while using the Enable Quad Peripheral Interface mode (EQPI) (38h) command.

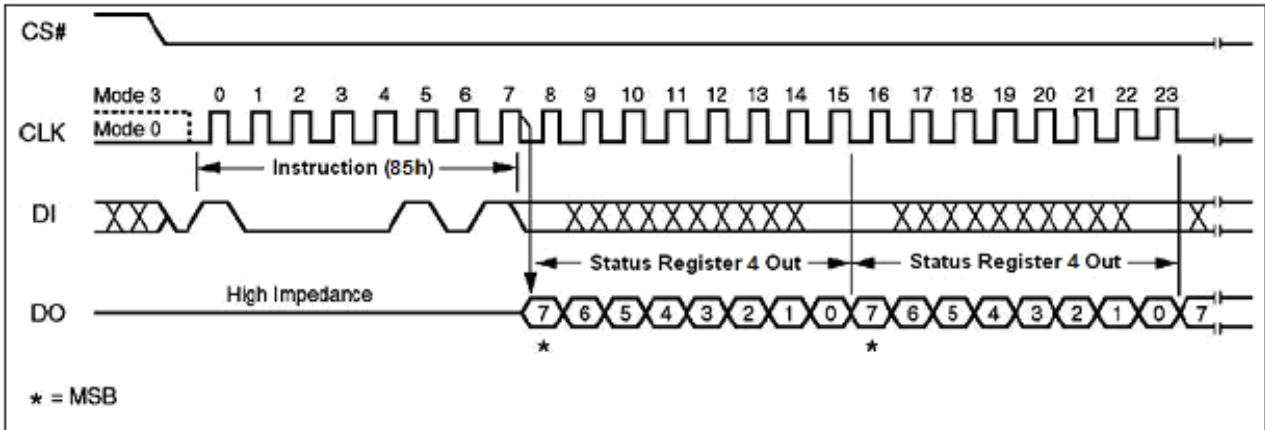


Figure 13. Read Status Register 4 Instruction Sequence Diagram

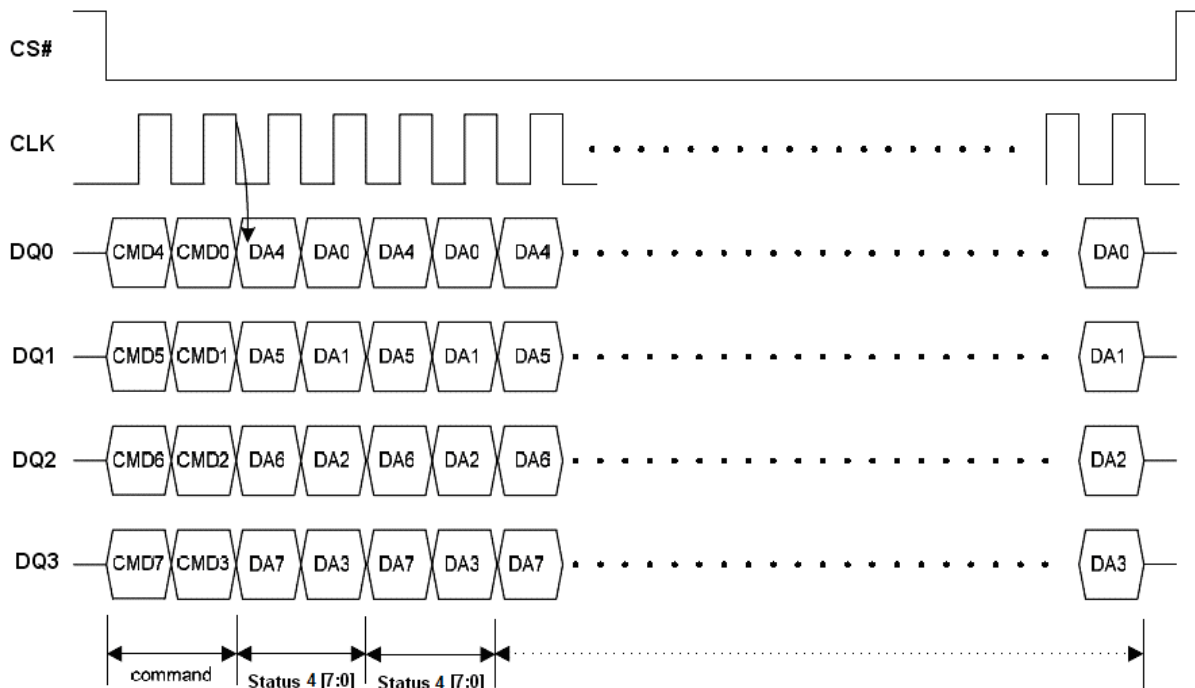


Figure 13.1 Read Status Register 4 Instruction Sequence under QPI Mode

Table 10. Status Register 4 Bit Locations

SR4.7	SR4.6	SR4.5	SR4.4	SR4.3	SR4.2	SR4.1	SR4.0
Reserved bit	CMP (Complement Protect)	Reserved bit	Reserved bit	Reserved bit	WPDIS (WP# disabled)	HDEN (HOLD# enabled)	WIP (Write In Progress bit) (Note 1)
	(note 1)				1 = WP# disable 0 = WP# enable (default 0)	1 = HOLD# enable 0 = HOLD# disable (default 0)	1 = write operation 0 = not in write operation
	Volatile / Non-volatile bit				Volatile / Non-volatile bit	Volatile / Non-volatile bit	Read only bit

Note:

1. See the table 4 “Protected Area Sizes Sector Organization”.

The status and control bits of the Status Register 4 are as follows:

WIP bit. The Write In Progress (WIP) bit indicates whether the memory is busy with a Write Status Register, Program or Erase cycle.

CMP bit. The Complement Protect bit (CMP) is a non-volatile bit in the Status Register 4. It is used in conjunction with 4KBL, TB, BP2, BP1 and BP0 bits to provide more flexibility for the array protection. The default setting is CMP=0.

WPDIS bit. The Write Protect disable (WPDIS) bit, non-volatile bit, when it is reset to “0” (factory default) to enable WP# function or is set to “1” to disable WP# function. No matter WPDIS is “0” or “1”, the system can executes Quad I/O Fast Read (EBh) or EQPI (38h) command directly. User can use Flash Programmer to set WPDIS bit as “1” and then the host system can let WP# keep floating in SPI mode.

HDEN bit. The HOLD# enable bit (HDEN bit), non-volatile bit, it indicates the HOLD# is enabled or not. When it is “0” (factory default), the HOLD# is disabled. On the other hand, while HDEN bit is “1”, the HOLD# is enabled. If the system executes Quad mode commands, this HDEN bit becomes no affection since HOLD# function will be disabled by Quad mode commands.

Reserved bit. In Status Register 4, SR4.0, SR4.3, SR4.4, SR4.5 and SR4.7 are reserved for future use. It is recommended to mask out the reserved bit when testing the Status Register 2. Doing this will ensure compatibility with future devices.

Write Status Register (WRSR) (01h)

The Write Status Register (WRSR) instruction allows new values to be written to the Status Register. Before it can be accepted, a Write Enable (WREN) instruction must previously have been executed. After the Write Enable (WREN) instruction has been decoded and executed, the device sets the Write Enable Latch (WEL).

The Write Status Register (WRSR) instruction is entered by driving Chip Select (CS#) Low, followed by the instruction code and the data byte on Serial Data Input (DI).

The instruction sequence is shown in Figure 14. The Write Status Register (WRSR) instruction has no effect on SR1 and SR0 of the Status Register. Chip Select (CS#) must be driven High after the eighth bit of the data byte has been latched in. If not, the Write Status Register (WRSR) instruction is not executed. As soon as Chip Select (CS#) is driven High, the self-timed Write Status Register cycle (whose duration is t_w) is initiated. While the Write Status Register cycle is in progress, the Status Register may still be read to check the value of the Write In Progress (WIP) bit. The Write In Progress (WIP) bit is 1 during the self-timed Write Status Register cycle, and is 0 when it is completed. When the cycle is completed, the Write Enable Latch (WEL) is reset.

The Write Status Register (WRSR) instruction allows the user to change the values of the SRP bit, 4KBL bit, TB bit and Block Protect (BP2, BP1, BP0) bits, to define the size of the area that is to be treated as read-only, as defined in Table 4. The Write Status Register (WRSR) instruction also allows the user to set or reset the Status Register Protect (SRP) bit in accordance with the Write Protect (WP#) signal. The Status Register Protect (SRP) bit and Write Protect (WP#) signal allow the device to be put in the Hardware Protected Mode (HPM). The Write Status Register (WRSR) instruction is not executed once the Hardware Protected Mode (HPM) is entered.

The instruction sequence is shown in Figure 14.1 while using the Enable Quad Peripheral Interface mode (EQPI) (38h) command.

NOTE:

In the OTP mode without enabling Volatile Status Register function (50h), WRSR command is used to program SPL0 bit, EBL bit, SPL1 bit, SPL2 bit switch bit to '1', but these bits can only be programmed once.

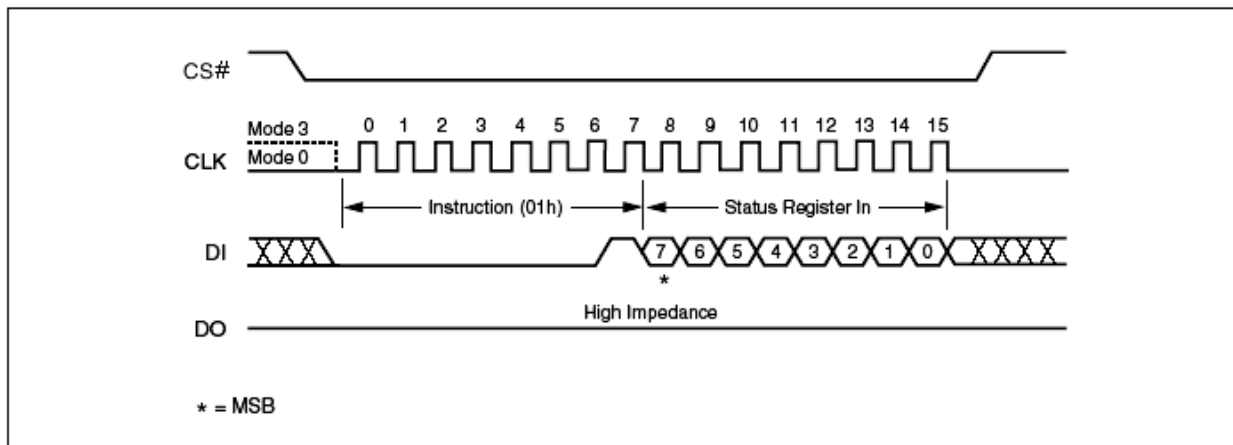


Figure 14. Write Status Register Instruction Sequence Diagram

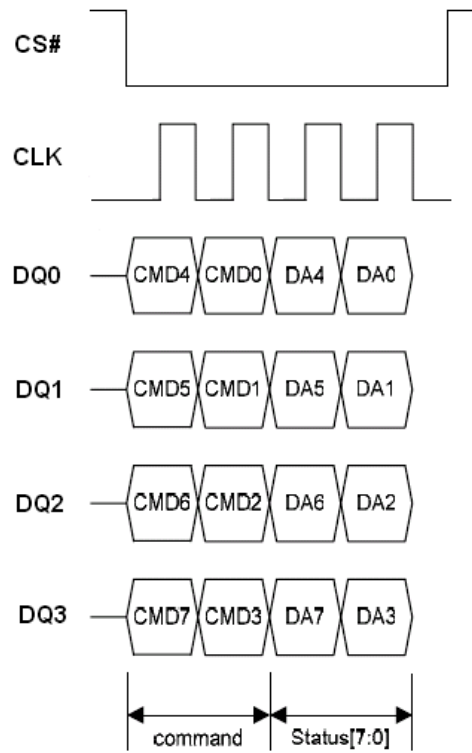


Figure 14.1 Write Status Register Instruction Sequence in QPI Mode

Write Status Register4 (WRSR4) (C1h)

The Write Status Register 4 (C1h) command can be used to enable or disable HOLD# and WP# pin by using HDEN and WPDIS bit and set CMP bit to protect array data. This register also can driver CS# low, sends the Write Status Register 4 (C1h) and one data byte, then drivers CS# high, please refer to Table 10 for Status Register 4 data and Figure 15 for the sequence. In QPI mode, a cycle is two nibbles, or two clocks, long, most significant nibble first.

The Write Status Register4 (WRSR4) instruction also allows the user to set or reset the Status Register Protect (SRP) bit in accordance with the Write Protect (WP#) signal. The Status Register Protect (SRP) bit and Write Protect (WP#) signal allow the device to be put in the Hardware Protected Mode (HPM). The Write Status Register 4 (WRSR4) instruction is not executed once the Hardware Protected Mode (HPM) is entered.

The instruction sequence is shown in Figure 15.1 while using the Enable Quad Peripheral Interface mode (EQPI) (38h) command.

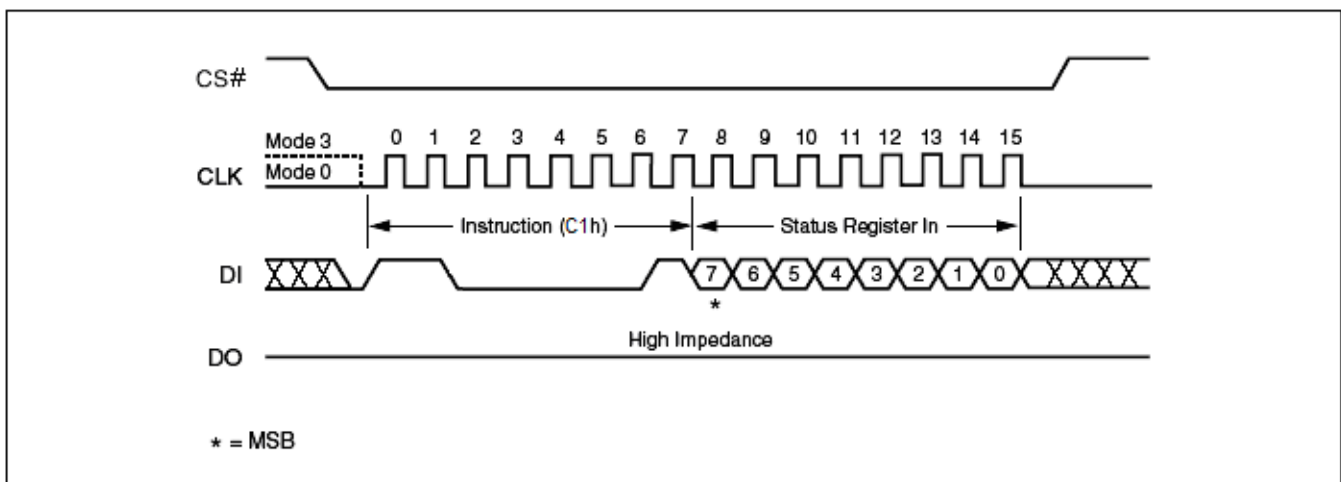


Figure 15. Write Status Register 4 Instruction Sequence Diagram

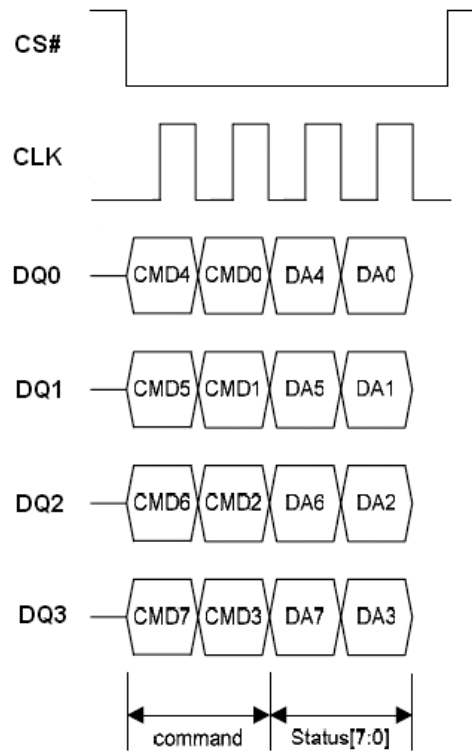


Figure 15.1 Write Status Register 4 Instruction Sequence in QPI Mode

Read Data Bytes (READ) (03h)

The device is first selected by driving Chip Select (CS#) Low. The instruction code for the Read Data Bytes (READ) instruction is followed by a 3-byte address (A23-A0), each bit being latched-in during the rising edge of Serial Clock (CLK). Then the memory contents, at that address, is shifted out on Serial Data Output (DO), each bit being shifted out, at a maximum frequency f_R , during the falling edge of Serial Clock (CLK).

The instruction sequence is shown in Figure 16. The first byte addresses can be at any location. The address is automatically incremented to the next higher address after each byte of data is shifted out. The whole memory can, therefore, be read with a single Read Data Bytes (READ) instruction. When the highest address is reached, the address counter rolls over to 000000h, allowing the read sequence to be continued indefinitely.

The Read Data Bytes (READ) instruction is terminated by driving Chip Select (CS#) High. Chip Select (CS#) can be driven High at any time during data output. Any Read Data Bytes (READ) instruction, while an Erase, Program or Write cycle is in progress, is rejected without having any effects on the cycle that is in progress.

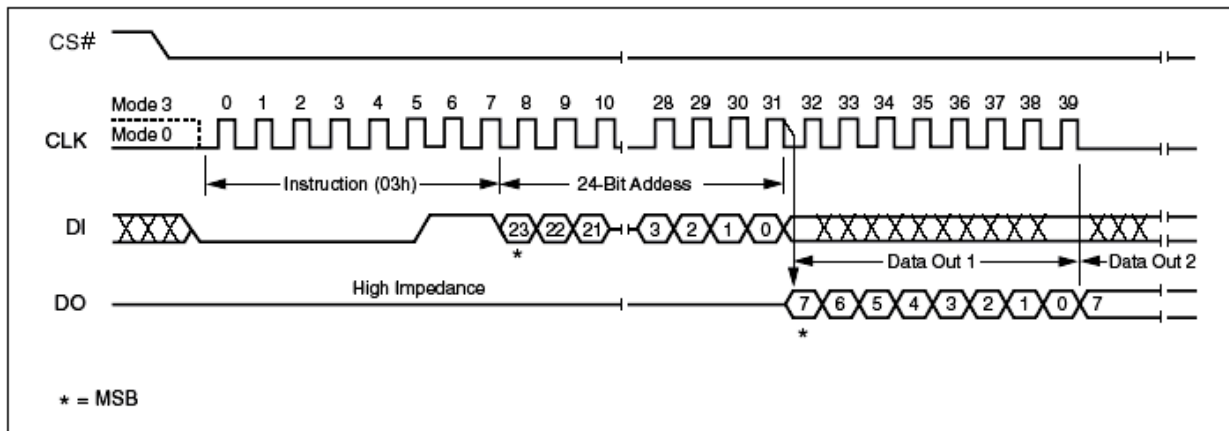


Figure 16. Read Data Instruction Sequence Diagram

Read Data Bytes at Higher Speed (FAST_READ) (0Bh)

The device is first selected by driving Chip Select (CS#) Low. The instruction code for the Read Data Bytes at Higher Speed (FAST_READ) instruction is followed by a 3-byte address (A23-A0) and a dummy byte, each bit being latched-in during the rising edge of Serial Clock (CLK). Then the memory contents, at that address, is shifted out on Serial Data Output (DO), each bit being shifted out, at a maximum frequency F_R , during the falling edge of Serial Clock (CLK).

The instruction sequence is shown in Figure 17. The first byte addressed can be at any location. The address is automatically incremented to the next higher address after each byte of data is shifted out. The whole memory can, therefore, be read with a single Read Data Bytes at Higher Speed (FAST_READ) instruction. When the highest address is reached, the address counter rolls over to 000000h, allowing the read sequence to be continued indefinitely.

The Read Data Bytes at Higher Speed (FAST_READ) instruction is terminated by driving Chip Select (CS#) High. Chip Select (CS#) can be driven High at any time during data output. Any Read Data Bytes at Higher Speed (FAST_READ) instruction, while an Erase, Program or Write cycle is in progress, is rejected without having any effects on the cycle that is in progress.

The instruction sequence is shown in Figure 17.1 while using the Enable Quad Peripheral Interface mode (EQPI) (38h) command.

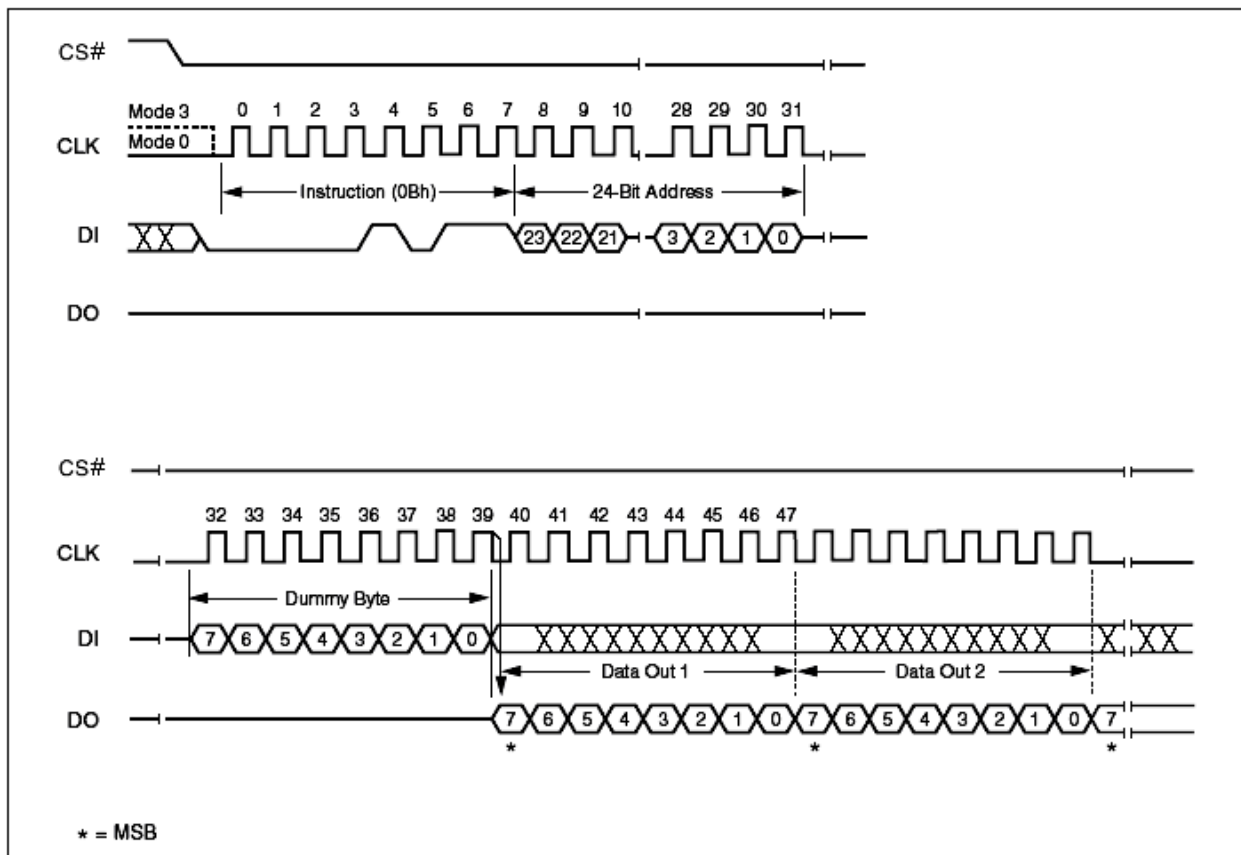


Figure 17. Fast Read Instruction Sequence Diagram

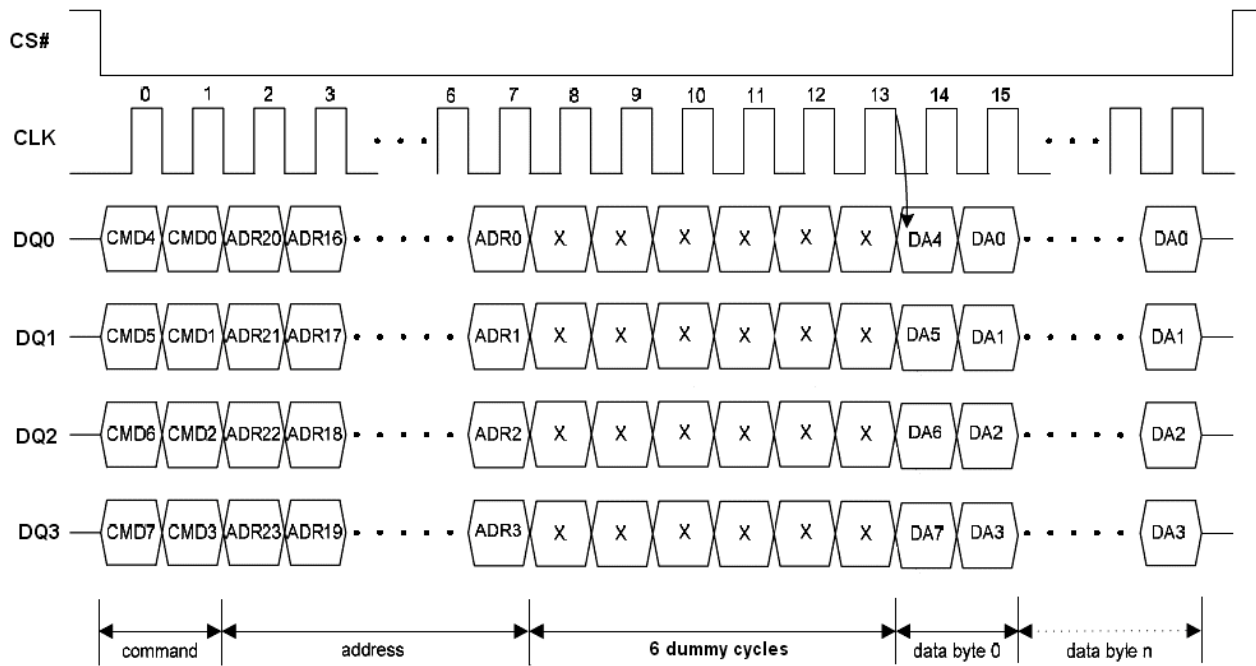


Figure 17.1 Fast Read Instruction Sequence in QPI Mode

Dual Output Fast Read (3Bh)

The Dual Output Fast Read (3Bh) is similar to the standard Fast Read (0Bh) instruction except that data is output on two pins, DQ₀ and DQ₁, instead of just DQ₀. This allows data to be transferred from the device at twice the rate of standard SPI devices. The Dual Output Fast Read instruction is ideal for quickly downloading code from RAM upon power-up or for applications that cache code-segments to RAM for execution.

Similar to the Fast Read instruction, the Dual Output Fast Read instruction can operation at the highest possible frequency of F_R (see AC Electrical Characteristics). This is accomplished by adding eight “dummy clocks after the 24-bit address as shown in Figure 18. The dummy clocks allow the device’s internal circuits additional time for setting up the initial address. The input data during the dummy clock is “don’t care”. However, the DI pin should be high-impedance prior to the falling edge of the first data out clock.

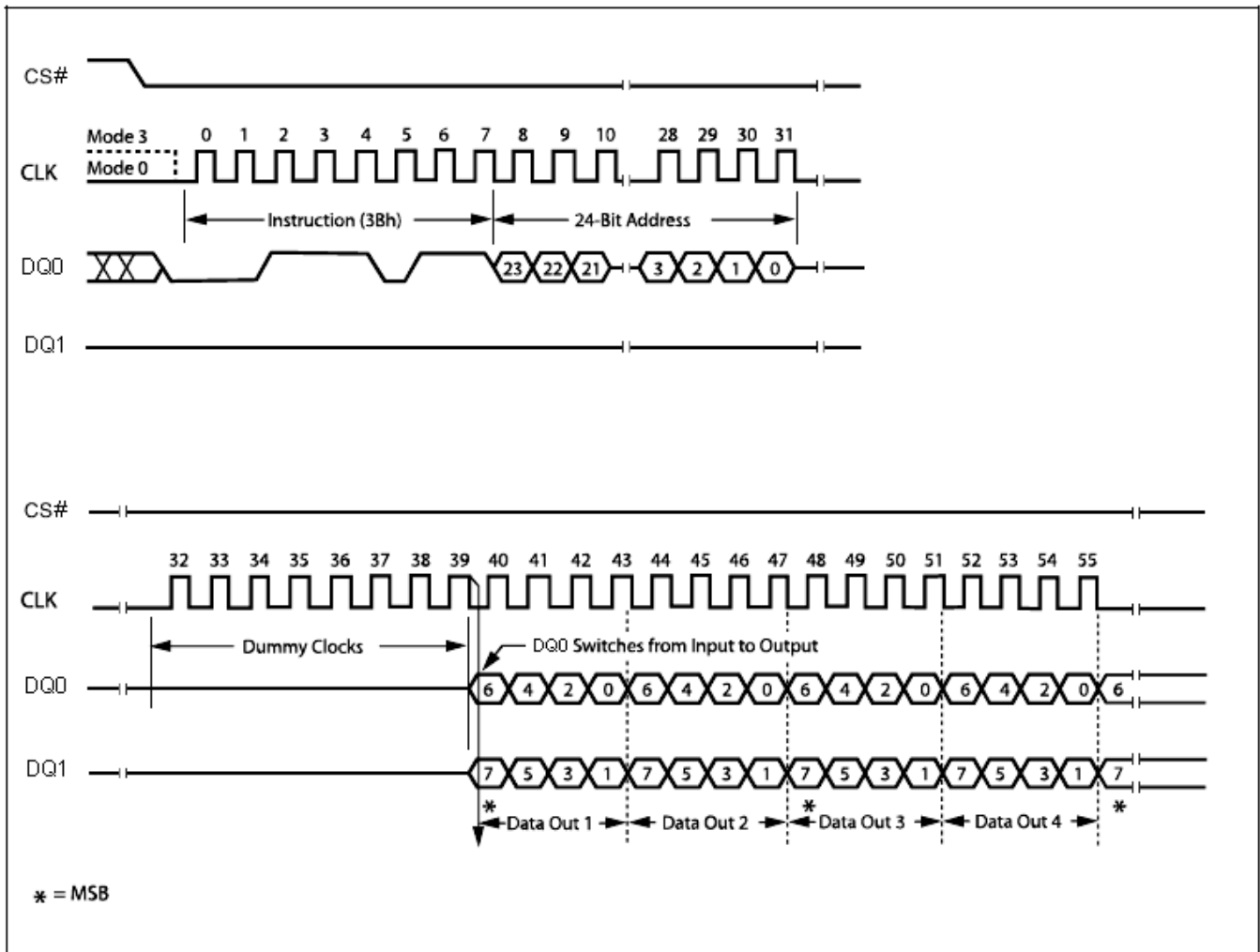


Figure 18. Dual Output Fast Read Instruction Sequence Diagram

Dual I/O Fast Read (BBh)

The Dual I/O Fast Read (BBh) instruction allows for improved random access while maintaining two IO pins, DQ₀ and DQ₁. It is similar to the Dual Output Fast Read (3Bh) instruction but with the capability to input the Address bits (A23-A0) two bits per clock. This reduced instruction overhead may allow for code execution (XIP) directly from the Dual SPI in some applications.

The Dual I/O Fast Read instruction enable double throughput of Serial Flash in read mode. The address is latched on rising edge of CLK, and data of every two bits (interleave 2 I/O pins) shift out on the falling edge of CLK at a maximum frequency. The first address can be at any location. The address is automatically increased to the next higher address after each byte data is shifted out, so the whole memory can be read out at a single Dual I/O Fast Read instruction. The address counter rolls over to 0 when the highest address has been reached. Once writing Dual I/O Fast Read instruction, the following address/dummy/data out will perform as 2-bit instead of previous 1-bit, as shown in Figure 19.

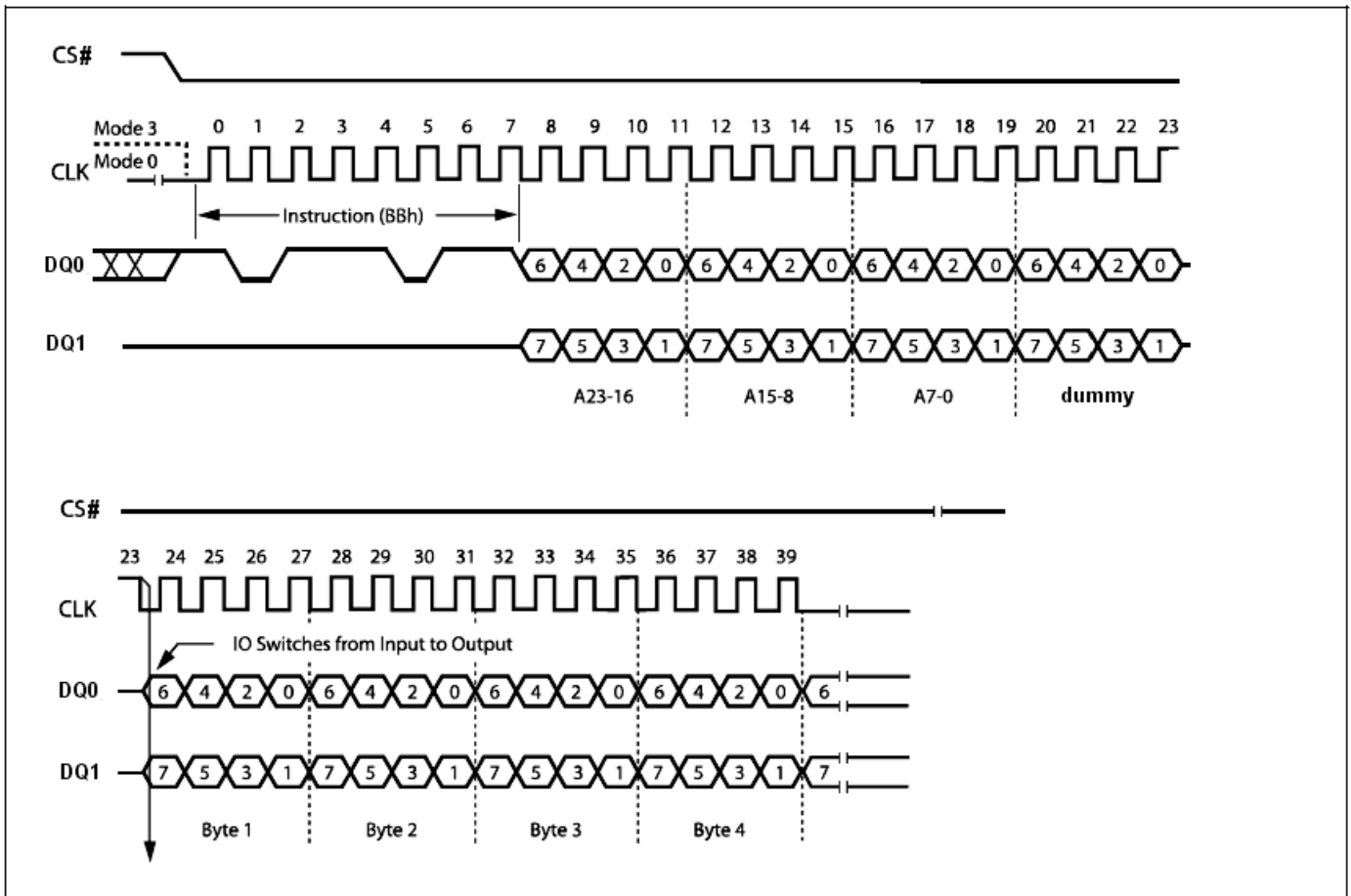


Figure 19. Dual I/O Fast Read Instruction Sequence Diagram

Quad Output Fast Read (6Bh)

The Quad Output Fast Read (6Bh) instruction is similar to the Dual Output Fast Read (3Bh) instruction except that data is output through four pins, DQ0, DQ1, DQ2 and DQ3 and eight dummy clocks are required prior to the data output. The Quad Output dramatically reduces instruction overhead allowing faster random access for code execution (XIP) directly from the Quad SPI.

The Quad Output Fast Read (6Bh) address is latching on rising edge of CLK, and data of every four bits (interleave on 4 I/O pins) shift out on the falling edge of CLK at a maximum frequency F_R . The first address can be any location. The address is automatically increased to the next higher address after each byte data is shifted out, so the whole memory can be read out at a single Quad Output Fast Read instruction. The address counter rolls over to 0 when the highest address has been reached.

The sequence of issuing Quad Output Fast Read (6Bh) instruction is: CS# goes low -> sending Quad Output Fast Read (6Bh) instruction -> 24-bit address on DQ0 -> 8 dummy clocks -> data out interleave on DQ3, DQ2, DQ1 and DQ0 -> to end Quad Output Fast Read (6Bh) operation can use CS# to high at any time during data out, as shown in Figure 20. The WP# (DQ2) and HOLD# (DQ3) need to drive high before address input if WPDIS bit in Status Register 4 is 0 and HDEN bit in Status Register 4 is 1.

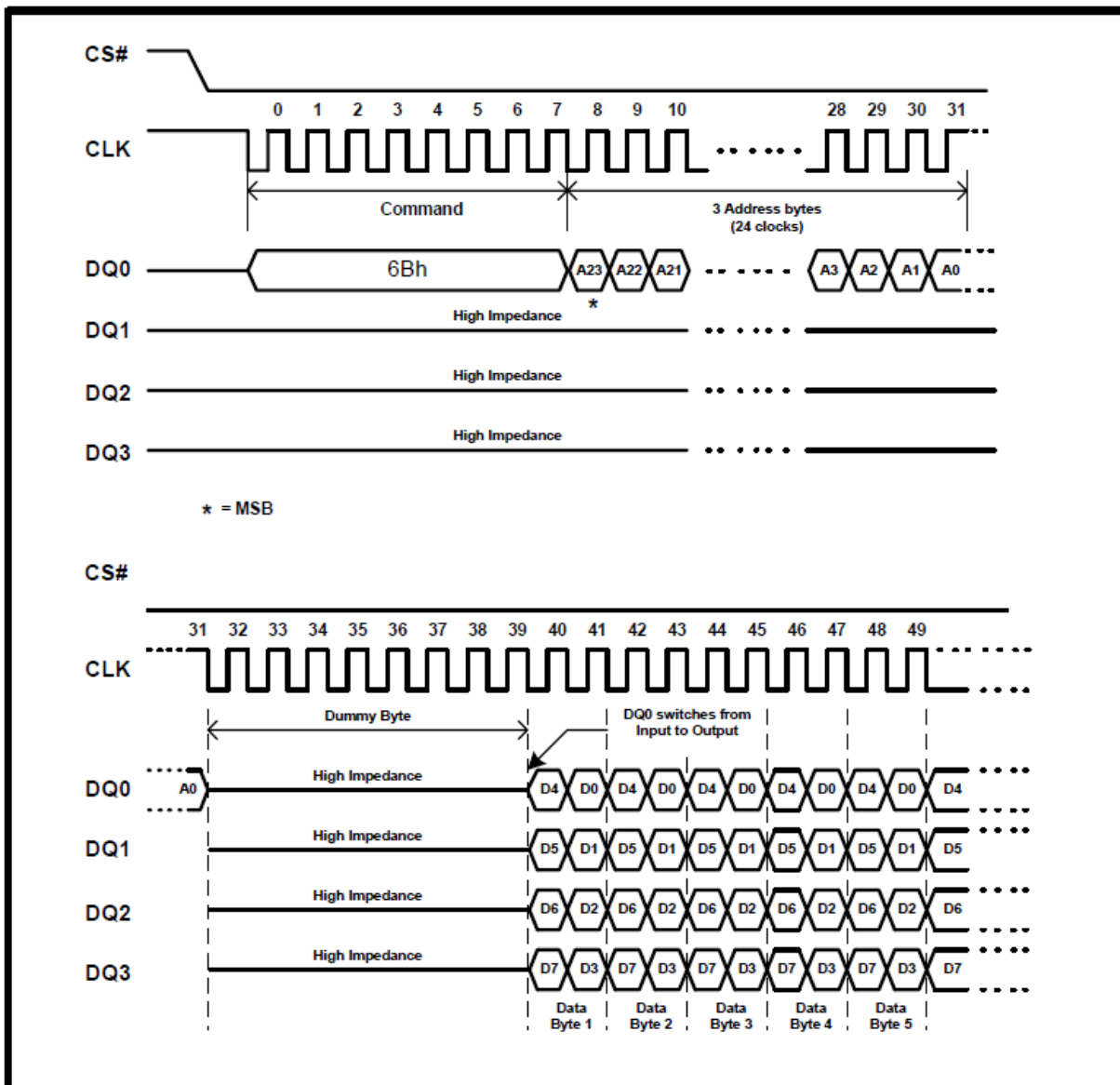


Figure 20. Quad Output Fast Read Instruction Sequence Diagram

Quad I/O Fast Read (EBh)

The Quad I/O Fast Read (EBh) instruction is similar to the Dual I/O Fast Read (BBh) instruction except that address and data bits are input and output through four pins, DQ₀, DQ₁, DQ₂ and DQ₃ and six dummy clocks are required prior to the data output. The Quad I/O dramatically reduces instruction overhead allowing faster random access for code execution (XIP) directly from the Quad SPI.

The Quad I/O Fast Read (EBh) instruction enable quad throughput of Serial Flash in read mode. The address is latching on rising edge of CLK, and data of every four bits (interleave on 4 I/O pins) shift out on the falling edge of CLK at a maximum frequency F_R. The first address can be any location. The address is automatically increased to the next higher address after each byte data is shifted out, so the whole memory can be read out at a single Quad I/O Fast Read instruction. The address counter rolls over to 0 when the highest address has been reached. Once writing Quad I/O Fast Read instruction, the following address/dummy/data out will perform as 4-bit instead of previous 1-bit.

The sequence of issuing Quad I/O Fast Read (EBh) instruction is: CS# goes low -> sending Quad I/O Fast Read (EBh) instruction -> 24-bit address interleave on DQ₃, DQ₂, DQ₁ and DQ₀ -> 6 dummy cycles -> data out interleave on DQ₃, DQ₂, DQ₁ and DQ₀ -> to end Quad I/O Fast Read (EBh) operation can use CS# to high at any time during data out, as shown in Figure 21.

The instruction sequence is shown in Figure 21.1 while using the Enable Quad Peripheral Interface mode (EQPI) (38h) command.

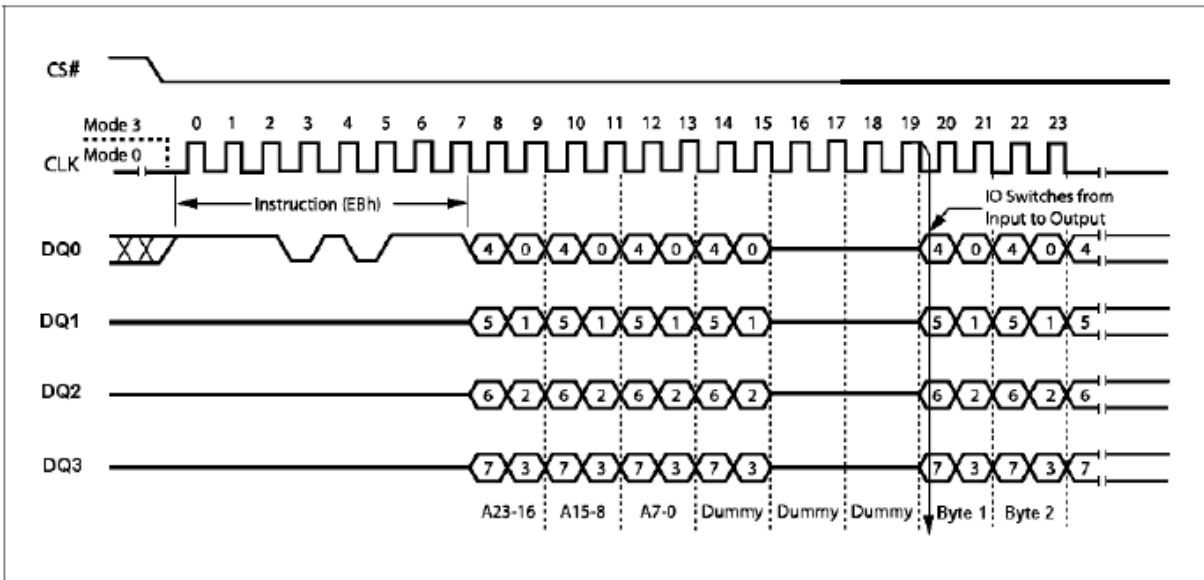


Figure 21. Quad I/O Fast Read Instruction Sequence Diagram

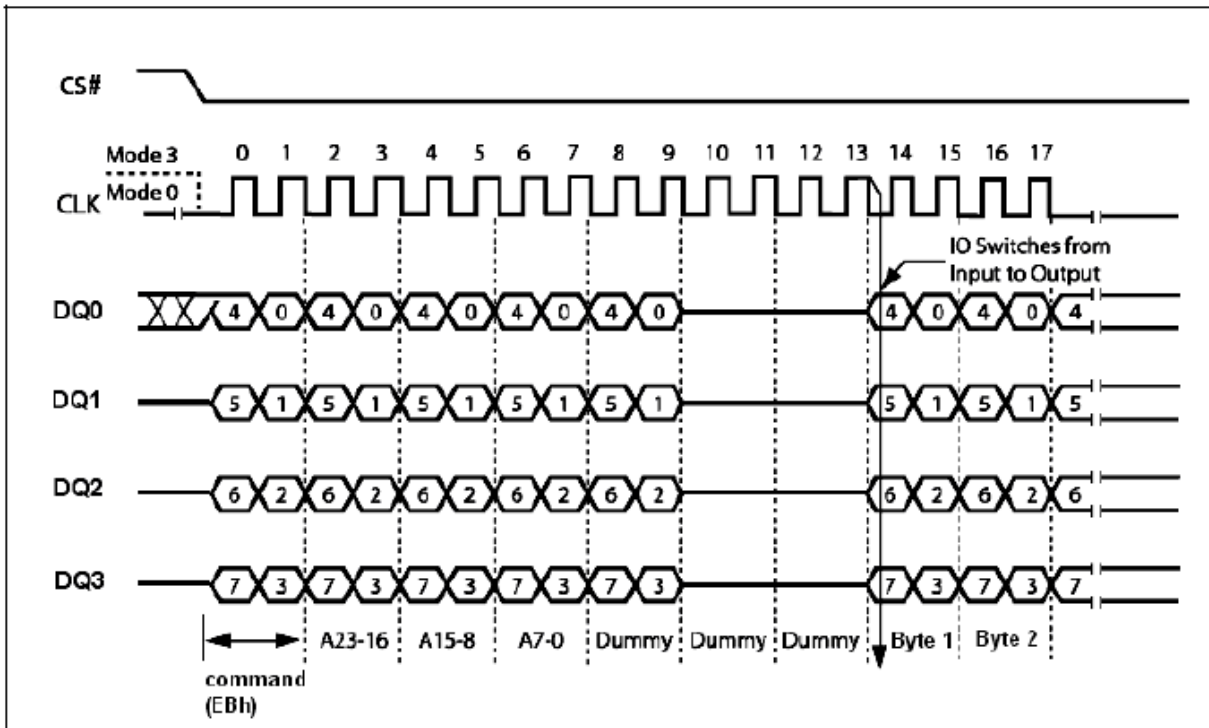


Figure 21.1 Quad I/O Fast Read Instruction Sequence in QPI Mode

Another sequence of issuing Quad I/O Fast Read (EBh) instruction especially useful in random access is : CS# goes low -> sending Quad I/O Fast Read (EBh) instruction -> 24-bit address interleave on DQ₃, DQ₂, DQ₁ and DQ₀ -> performance enhance toggling bit P[7:0] -> 6 dummy cycles -> data out interleave on DQ₃, DQ₂, DQ₁ and DQ₀ till CS# goes high -> CS# goes low (reduce Quad I/O Fast Read (EBh) instruction) -> 24-bit access address, as shown in Figure 22.

In the performance – enhancing mode, P[7:4] must be toggling with P[3:0] ; likewise P[7:0] = A5h, 5Ah, F0h or 0Fh can make this mode continue and reduce the next Quad I/O Fast Read (EBh) instruction. Once P[7:4] is no longer toggling with P[3:0] ; likewise P[7:0] = FFh, 00h, AAh or 55h. And afterwards CS# is raised, the system then will escape from performance enhance mode and return to normal operation.

While Program/ Erase/ Write Status Register is in progress, Quad I/O Fast Read (EBh) instruction is rejected without impact on the Program/ Erase/ Write Status Register current cycle.

The instruction sequence is shown in Figure 22.1 while using the Enable Quad Peripheral Interface mode (EQPI) (38h) command.

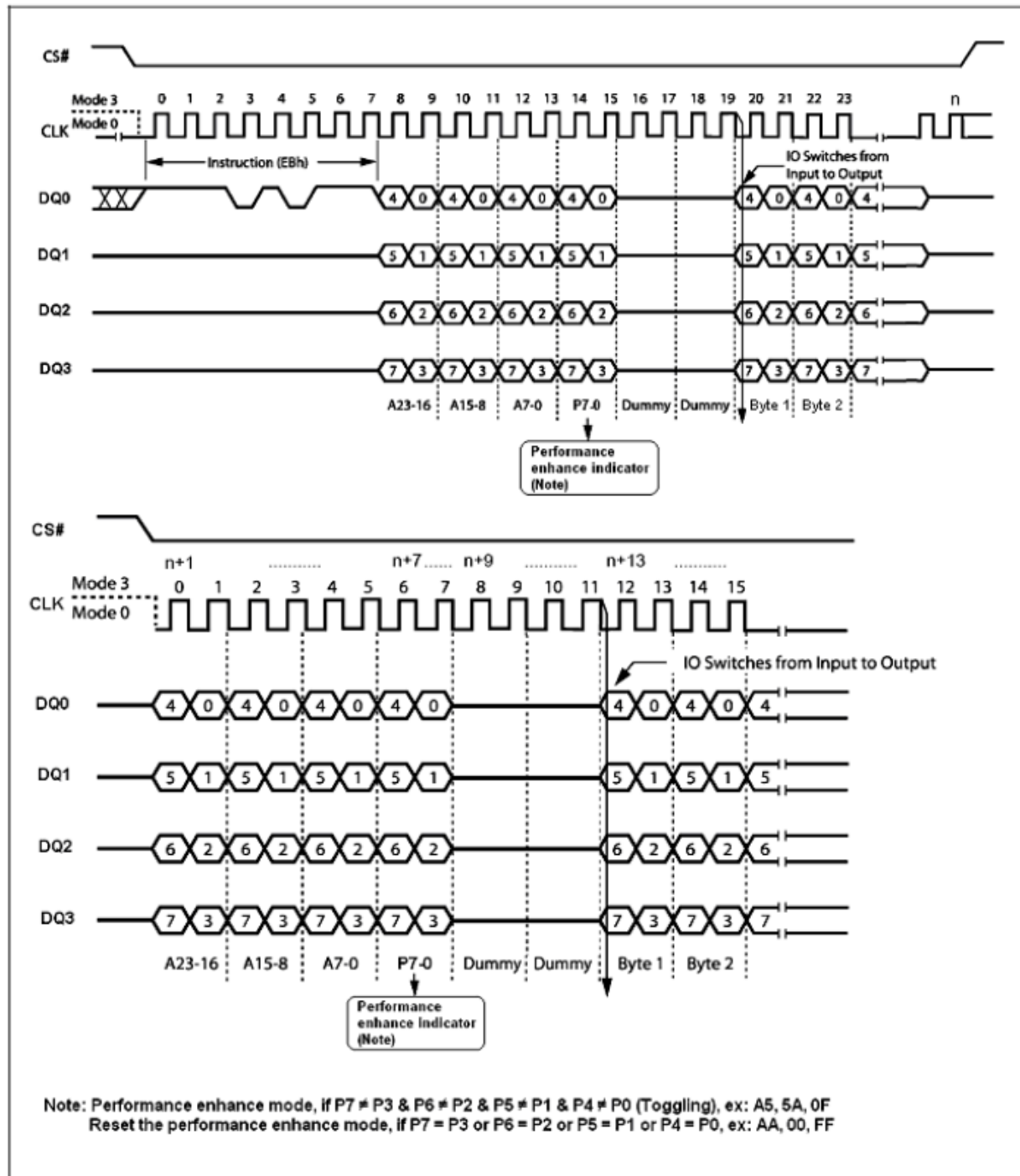


Figure 22. Quad I/O Fast Read Enhance Performance Mode Sequence Diagram

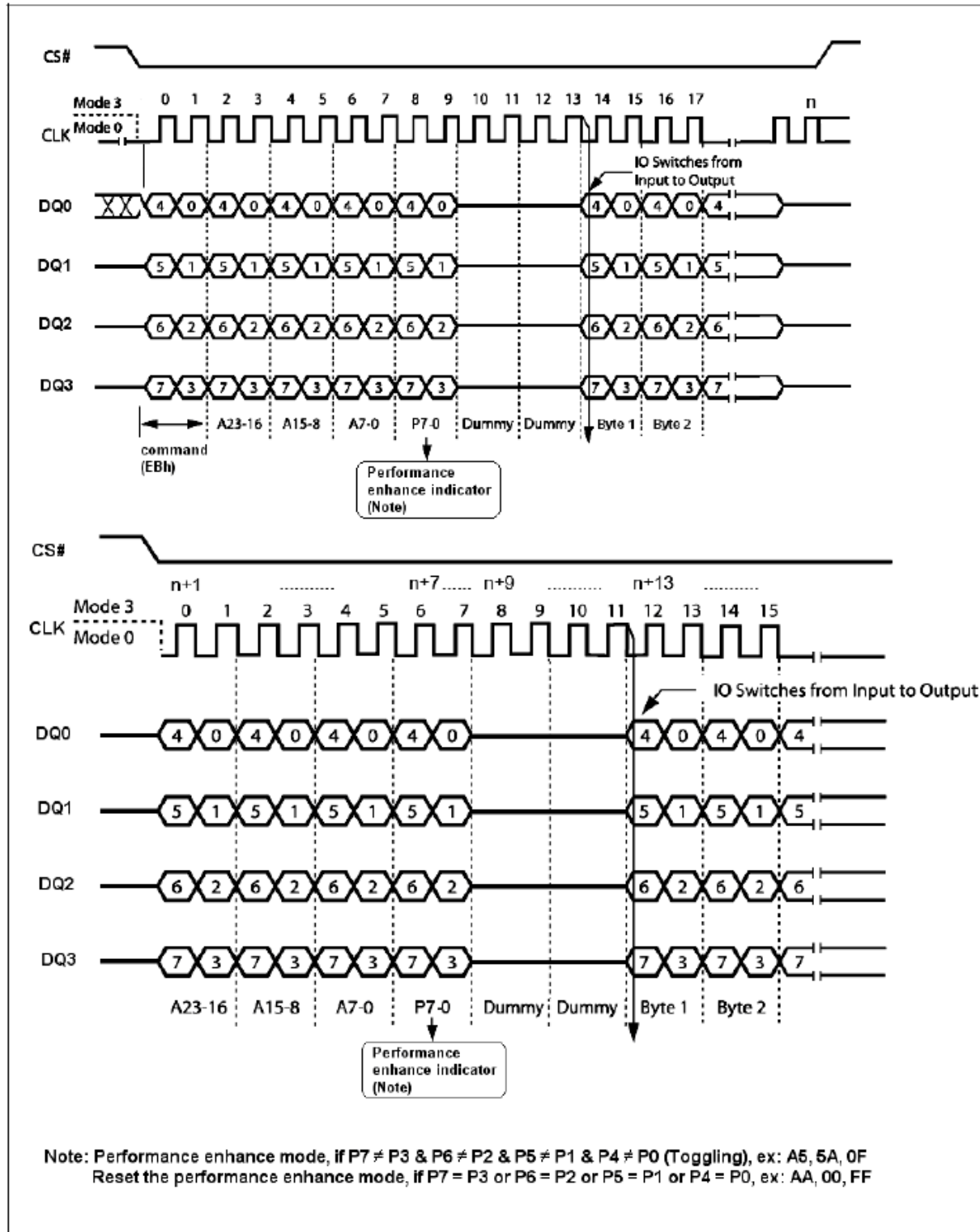


Figure 22.1 Quad I/O Fast Read Enhance Performance Mode Sequence in QPI Mode

Page Program (PP) (02h)

The Page Program (PP) instruction allows bytes to be programmed in the memory. Before it can be accepted, a Write Enable (WREN) instruction must previously have been executed. After the Write Enable (WREN) instruction has been decoded, the device sets the Write Enable Latch (WEL).

The Page Program (PP) instruction is entered by driving Chip Select (CS#) Low, followed by the instruction code, three address bytes and at least one data byte on Serial Data Input (DI). If the 8 least significant address bits (A7-A0) are not all zero, all transmitted data that goes beyond the end of the current page are programmed from the start address of the same page (from the address whose 8 least significant bits (A7-A0) are all zero). Chip Select (CS#) must be driven Low for the entire duration of the sequence.

The instruction sequence is shown in Figure 23. If more than 256 bytes are sent to the device, previously latched data are discarded and the last 256 data bytes are guaranteed to be programmed correctly within the same page. If less than 256 Data bytes are sent to device, they are correctly programmed at the requested addresses without having any effects on the other bytes of the same page.

Chip Select (CS#) must be driven High after the eighth bit of the last data byte has been latched in, otherwise the Page Program (PP) instruction is not executed.

As soon as Chip Select (CS#) is driven High, the self-timed Page Program cycle (whose duration is t_{pp}) is initiated. While the Page Program cycle is in progress, the Status Register may be read to check the value of the Write In Progress (WIP) bit. The Write In Progress (WIP) bit is 1 during the self-timed Page Program cycle, and is 0 when it is completed. At some unspecified time before the cycle is completed, the Write Enable Latch (WEL) bit is reset.

A Page Program (PP) instruction applied to a page which is protected by the CMP bit, 4KBL bit, TB bit and Block Protect (BP2, BP1, BP0) bits (see Table 4) are not executed.

The instruction sequence is shown in Figure 23.1 while using the Enable Quad Peripheral Interface mode (EQPI) (38h) command.

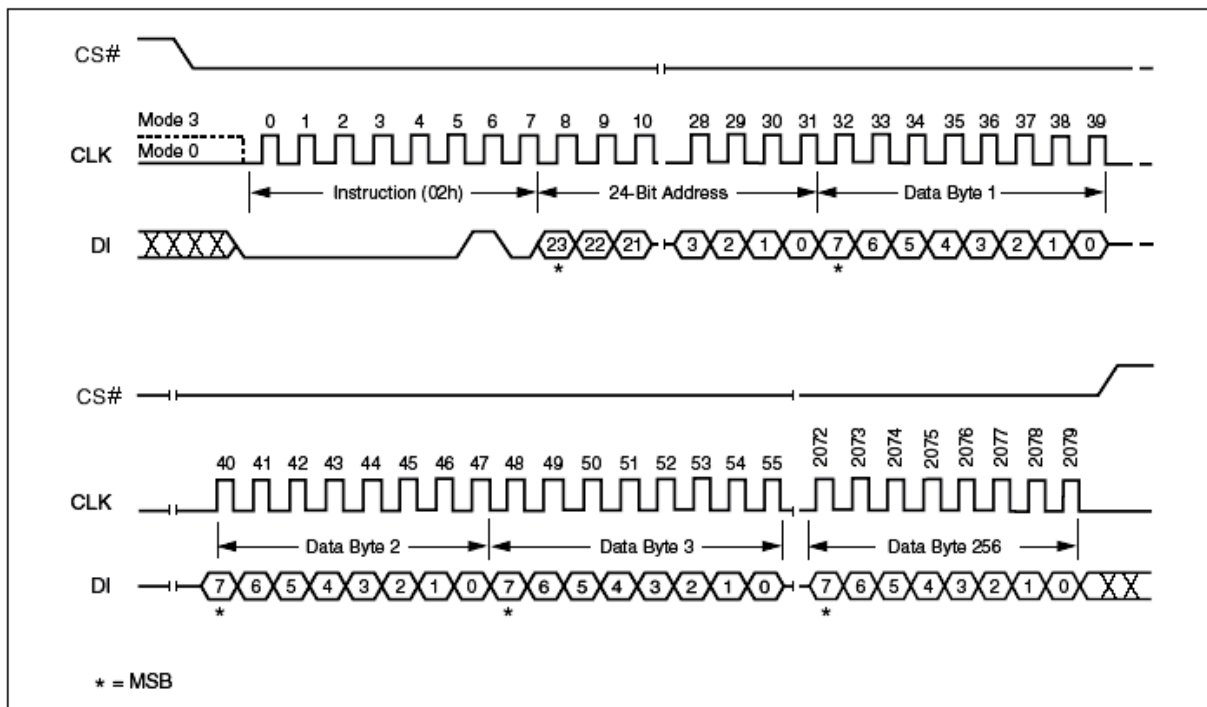


Figure 23. Page Program Instruction Sequence Diagram

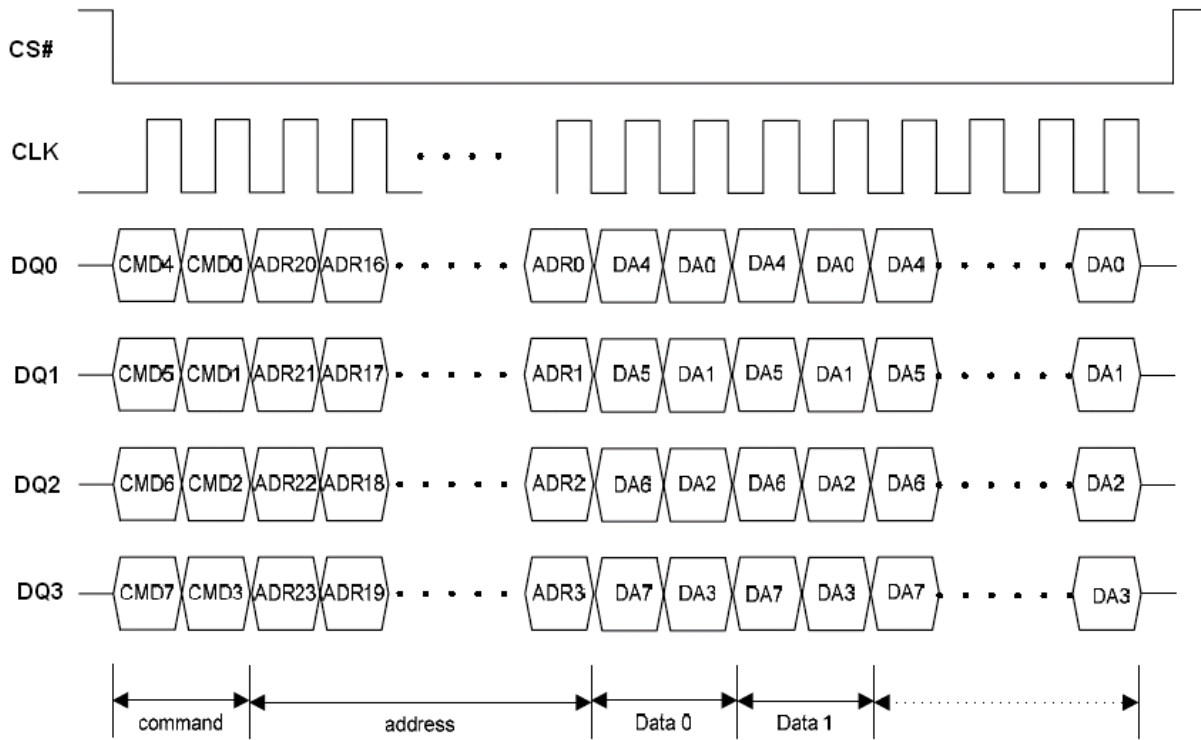


Figure 23.1 Program Instruction Sequence in QPI Mode

Quad Input Page Program (QPP) (32h)

The Quad Page Program (QPP) instruction allows up to 256 bytes of data to be programmed at previously erased (FFh) memory locations using four pins: DQ₀, DQ₁, DQ₂ and DQ₃. The Quad Page Program can improve performance for PROM Programmer and applications that have slow clock speeds < 5MHz. Systems with faster clock speed will not realize much benefit for the Quad Page Program instruction since the inherent page program time is much greater than the time it take to clock-in the data.

To use Quad Page Program (QPP) the WP# Disable (WPDIS) bit in Status Register must be set to 1 and HDEN bit in Status Register must be set to 0. A Write Enable instruction must be executed before the device will accept the Quad Page Program (QPP) instruction (SR1, WEL=1). The instruction is initiated by driving the CS# pin low then shifting the instruction code "32h" followed by a 24-bit address (A23-A0) and at least one data byte, into the IO pins. The CS# pin must be held low for the entire length of the instruction while data is being sent to the device. All other functions of Quad Page Program (QPP) are identical to standard Page Program. The Quad Page Program (QPP) instruction sequence is shown in Figure 24.

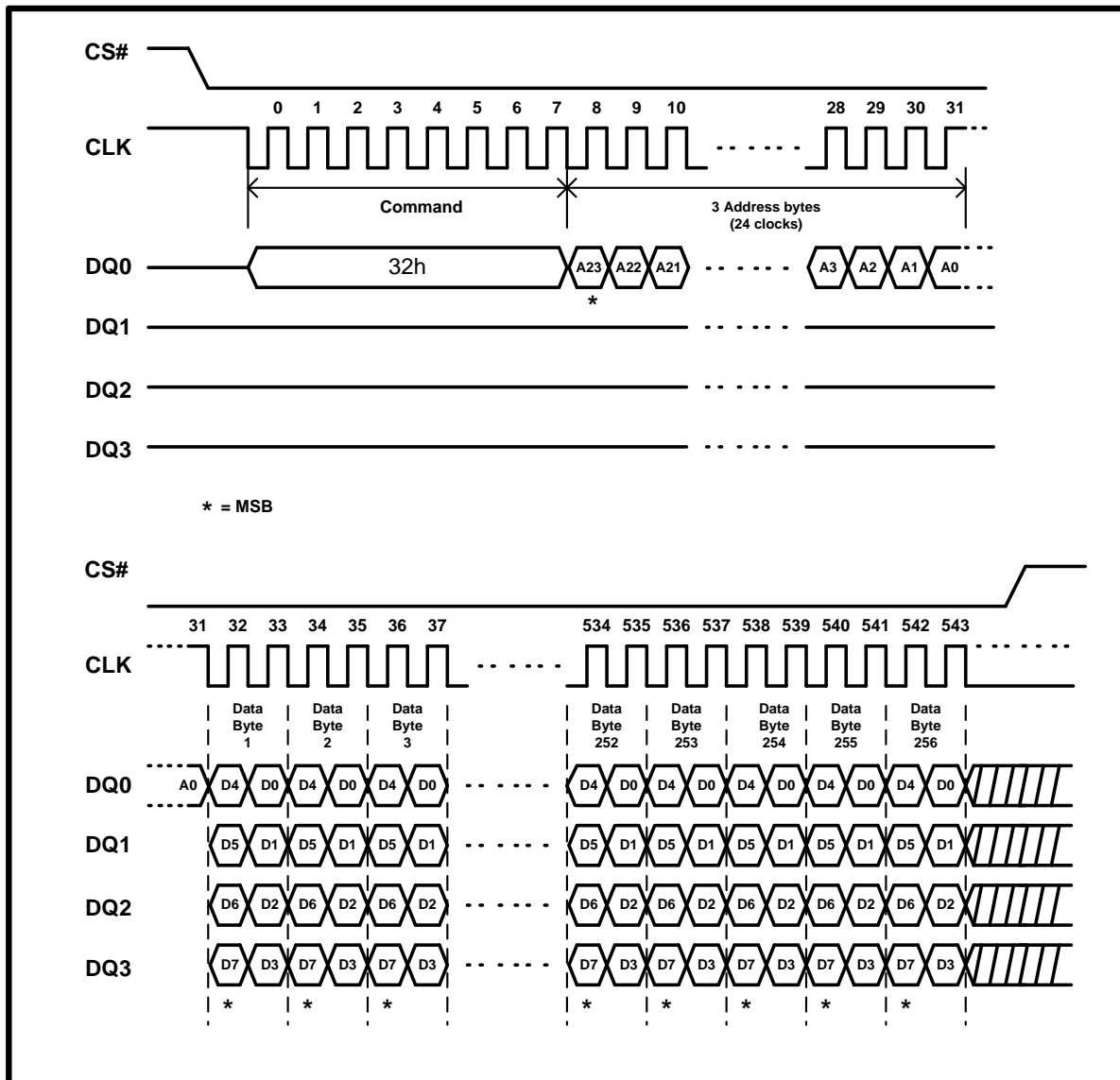


Figure 24. Quad Input Page Program Instruction Sequence Diagram (SPI Mode only)

Write Suspend (B0h)

Write Suspend allows the interruption of Sector Erase, Block Erase or Page Program operations in order to read data in another portion of memory. The original operation can be continued with Write Resume command. The instruction sequence is shown in Figure 25.

Only one write operation can be suspended at a time; if an operation is already suspended, the device will ignore the Write Suspend command. Write Suspend during Chip Erase is ignored; Chip Erase is not a valid command while a write is suspended.

Suspend to suspend ready timing: 20us.

Resume to another suspend timing: min 0.3us. typ 200us

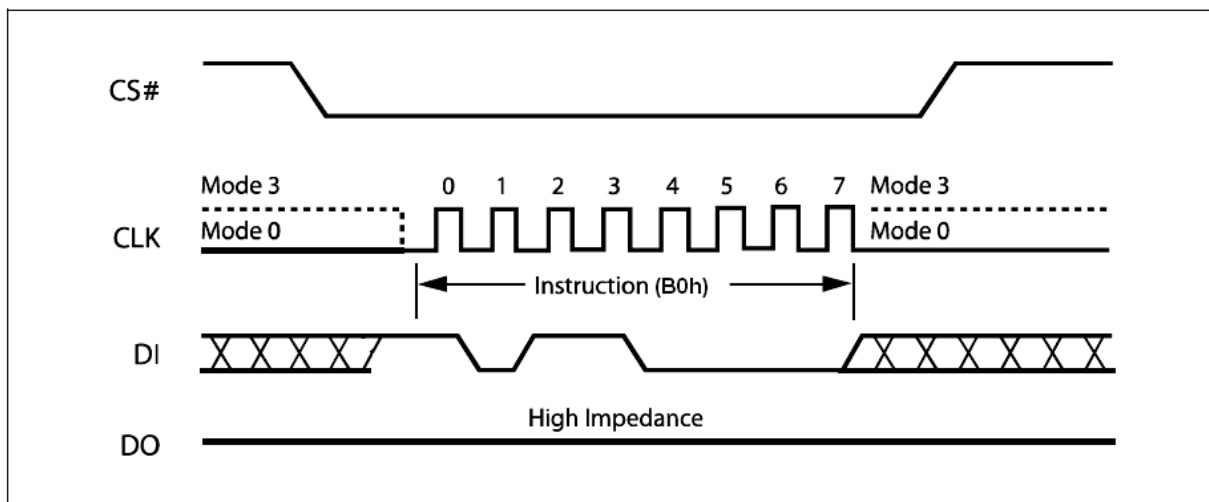


Figure 25. Write Suspend Instruction Sequence Diagram

Write Suspend During Sector Erase or Block Erase

Issuing a Write Suspend instruction during Sector Erase or Block Erase allows the host to read any sector except erase suspended block. The device can only accept Read and Read related instructions (EQPI, RSTQIO, RDSR, RDSR2, RDSR4, Write Resume, RDI, Read Manufacturer / Device ID, RDID, Enter OTP mode, and Read SFDP and Unique ID Number) after Write Suspend instruction during Sector Erase or Block Erase. Any attempt to read from the suspended block will output unknown data because the Sector or Block Erase will be incomplete.

To execute a Write Suspend operation, the host drives CS# low, sends the Write Suspend command cycle (B0h), then drives CS# high. A cycle is two nibbles long, most significant nibble first. The Status Register 2 indicates that the erase has been suspended by changing the WSE bit from "0" to "1", but the device will not accept another command until it is ready. To determine when the device will accept a new command, poll the WIP bit in the Status Register 2 or after issue program suspend command, latency time 20us is needed before issue another command. For "Suspend to Read", "Resume to Read", "Resume to Suspend" timing specification please note Figure 26.1, 26.2 and 26.3.

Write Suspend During Page Programming

Issuing a Write Suspend instruction during Page Programming allows the host to read any sector except program suspended block. The device can only accept Read and Read related instructions (EQPI, RSTQIO, RDSR, RDSR2, RDSR4, Write Resume, RDI, Read Manufacturer / Device ID, RDID, Enter OTP mode, and Read SFDP and Unique ID Number) after Write Suspend instruction during Page Programming. Any attempt to read from the suspended block will output unknown data because the program will be incomplete.

To execute a Write Suspend operation, the host drives CS# low, sends the Write Suspend command cycle (B0h), then drives CS# high. A cycle is two nibbles long, most significant nibble first. The Status Register 2 indicates that the programming has been suspended by changing the WSP bit from “0” to “1”, but the device will not accept another command until it is ready. To determine when the device will accept a new command, poll the WIP bit in the Status Register 2 or after issue program suspend command, latency time 20us is needed before issue another command. For “Suspend to Read”, “Resume to Read”, “Resume to Suspend” timing specification please note Figure 26.1, 26.2 and 26.3.

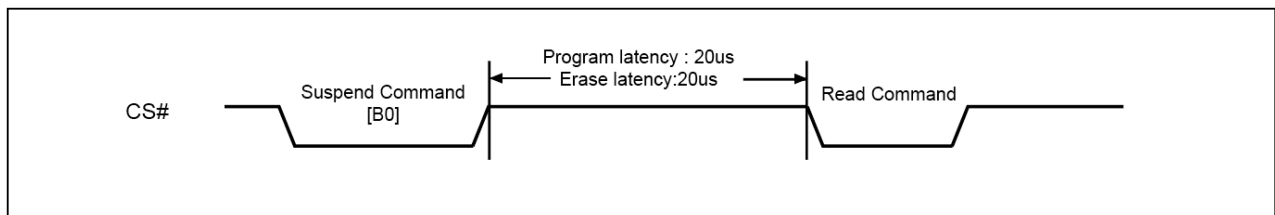


Figure 26.1 Suspend to Read Latency

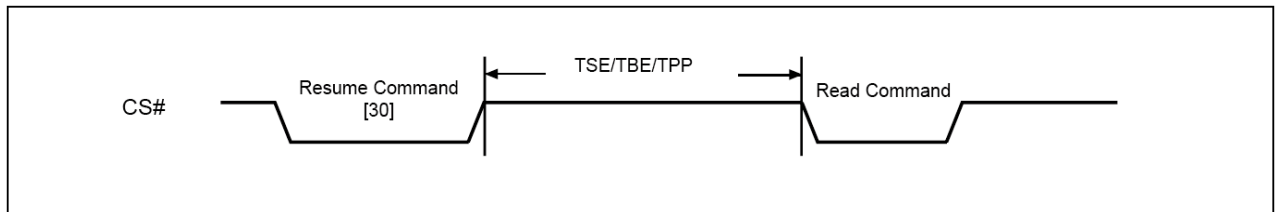


Figure 26.2 Resume to Read Latency

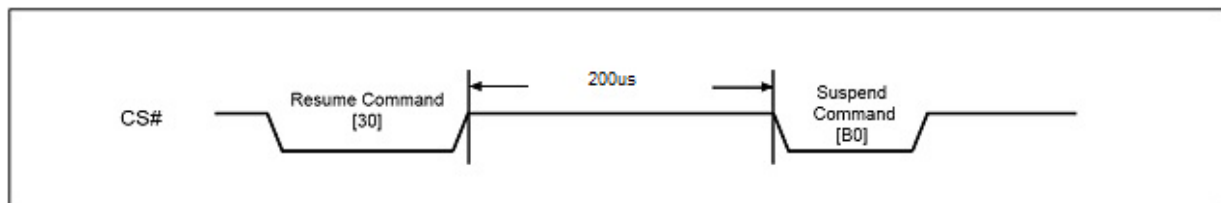


Figure 26.3 Resume to Suspend Latency

The instruction sequence is shown in Figure 27.1 while using the Enable Quad Peripheral Interface mode (EQPI) (38h) command.

Write Resume (30h)

Write Resume restarts a Write command that was suspended, and changes the suspend status bit in the Status Register 2 (WSE or WSP) back to “0”.

The instruction sequence is shown in Figure 27. To execute a Write Resume operation, the host drives CS# low, sends the Write Resume command cycle (30h), then drives CS# high. A cycle is two nibbles long, most significant nibble first. To determine if the internal, self-timed Write operation completed, poll the WIP bit in the Status Register 2, or wait the specified time t_{SE} , t_{HBE} , t_{BE} or t_{PP} for Sector Erase, Half Block Erase, Block Erase, or Page Programming, respectively. The total write time before suspend and after resume will not exceed the uninterrupted write times t_{SE} , t_{HBE} , t_{BE} or t_{PP} . Resume to another suspend operation requires latency time of 200us.

The instruction sequence is shown in Figure 27.1 while using the Enable Quad Peripheral Interface mode (EQPI) (38h) command.

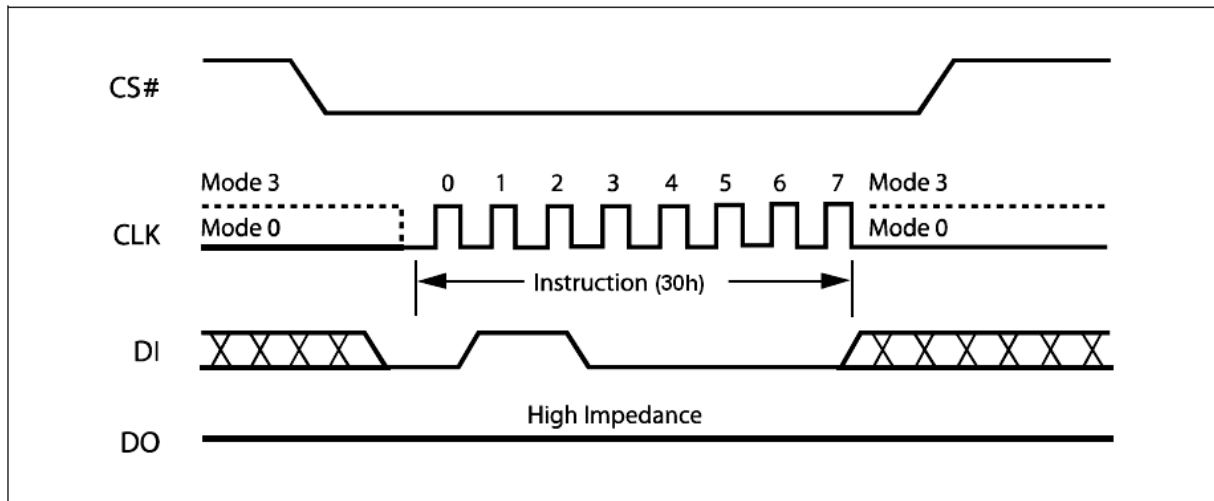


Figure 27. Write Resume Instruction Sequence Diagram

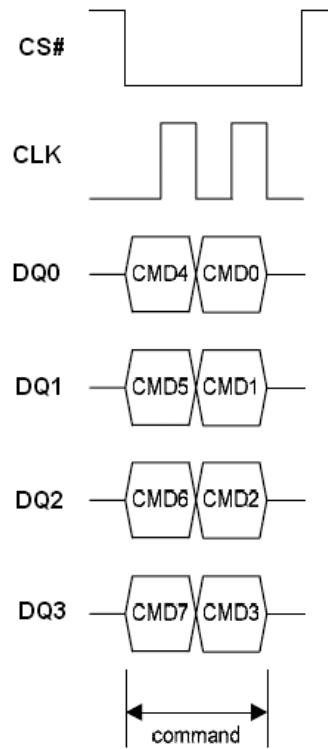
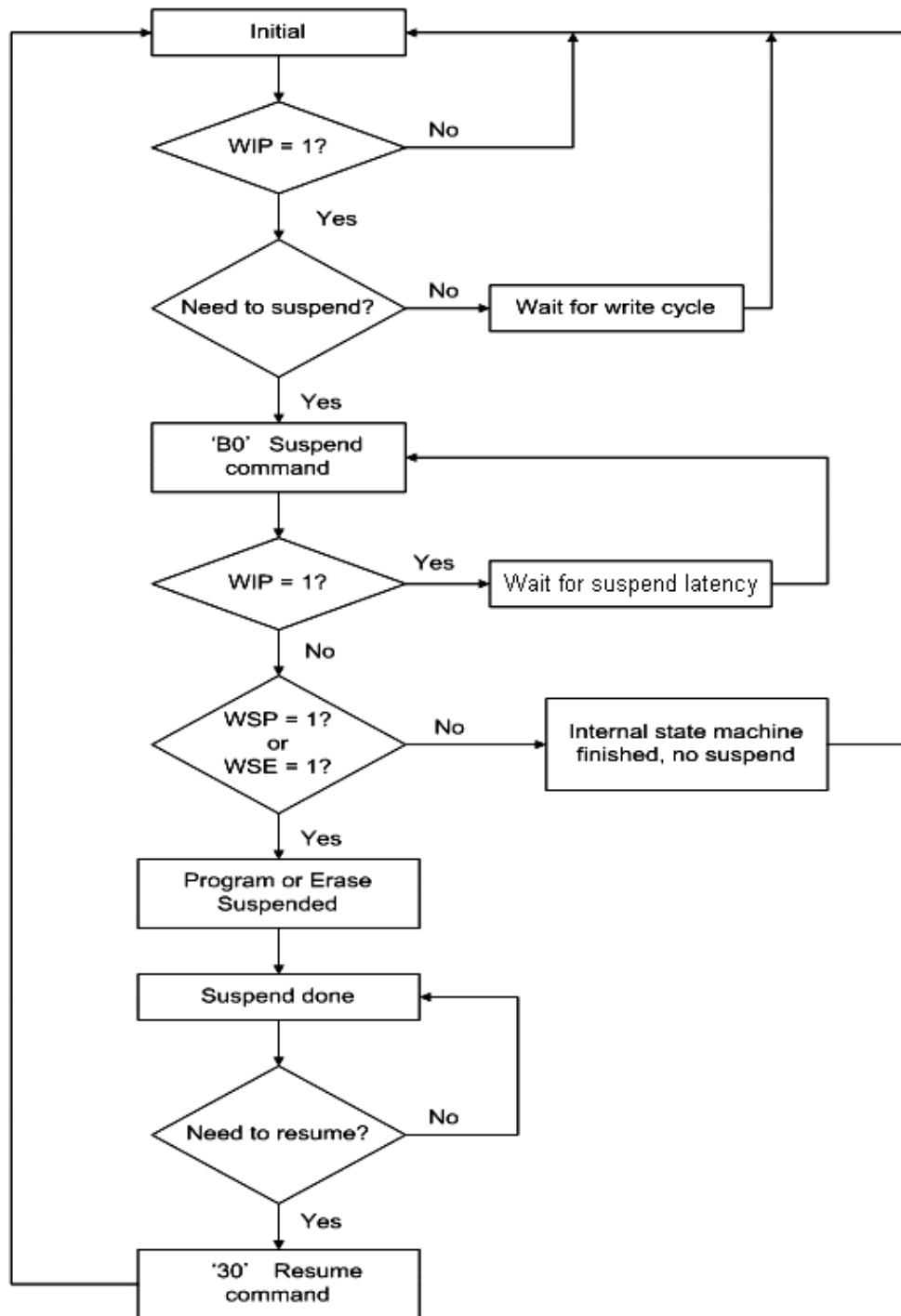


Figure 27.1 Write Suspend/Resume Instruction Sequence in QPI Mode


Figure 27.2 Write Suspend/Resume Flow
Note:

1. The 'WIP' can be either checked by command '09' or '05' polling.
2. 'Wait for write cycle' can be referring to maximum write cycle time or polling the WIP.
3. 'Wait for suspend latency', after issue program suspend command, latency time 20us is needed before issue another command or polling the WIP.
4. The 'WSP' and 'WSE' can be checked by command '09' polling.
5. 'Suspend done' means the chip can do further operations allowed by suspend spec.

Sector Erase (SE) (20h)

The Sector Erase (SE) instruction sets to 1 (FFh) all bits inside the chosen sector. Before it can be accepted, a Write Enable (WREN) instruction must previously have been executed. After the Write Enable (WREN) instruction has been decoded, the device sets the Write Enable Latch (WEL).

The Sector Erase (SE) instruction is entered by driving Chip Select (CS#) Low, followed by the instruction code, and three address bytes on Serial Data Input (DI). Any address inside the Sector (see Table 3) is a valid address for the Sector Erase (SE) instruction. Chip Select (CS#) must be driven Low for the entire duration of the sequence.

The instruction sequence is shown in Figure 28. Chip Select (CS#) must be driven High after the eighth bit of the last address byte has been latched in, otherwise the Sector Erase (SE) instruction is not executed. As soon as Chip Select (CS#) is driven High, the self-timed Sector Erase cycle (whose duration is t_{SE}) is initiated. While the Sector Erase cycle is in progress, the Status Register may be read to check the value of the Write In Progress (WIP) bit. The Write In Progress (WIP) bit is 1 during the self-timed Sector Erase cycle, and is 0 when it is completed. At some unspecified time before the cycle is completed, the Write Enable Latch (WEL) bit is reset.

A Sector Erase (SE) instruction applied to a sector which is protected by the CMP bit, 4BKL bit, TB bit and Block Protect (BP2, BP1, BP0) bits (see Table 4) or Boot Lock feature will be ignored.

The instruction sequence is shown in Figure 30.1 while using the Enable Quad Peripheral Interface mode (EQPI) (38h) command.

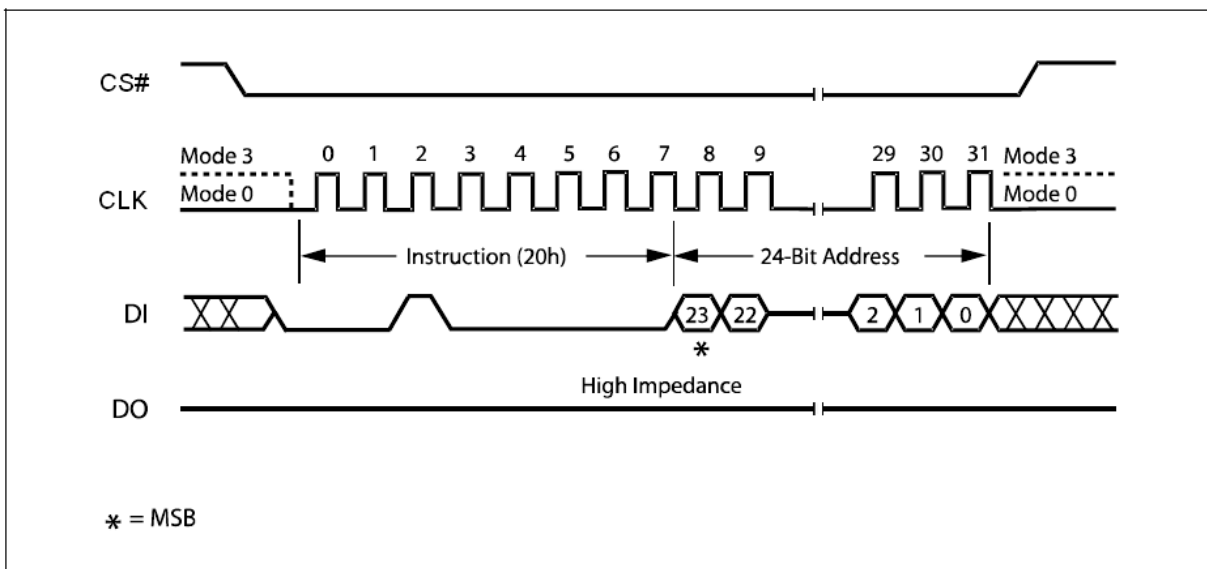


Figure 28. Sector Erase Instruction Sequence Diagram

32KB Half Block Erase (HBE) (52h)

The Half Block Erase (HBE) instruction sets to 1 (FFh) all bits inside the chosen block. Before it can be accepted, a Write Enable (WREN) instruction must previously have been executed. After the Write Enable (WREN) instruction has been decoded, the device sets the Write Enable Latch (WEL).

The Half Block Erase (HBE) instruction is entered by driving Chip Select (CS#) Low, followed by the instruction code, and three address bytes on Serial Data Input (DI). Any address inside the Block (see Table 3) is a valid address for the Half Block Erase (HBE) instruction. Chip Select (CS#) must be driven Low for the entire duration of the sequence.

The instruction sequence is shown in Figure 29. Chip Select (CS#) must be driven High after the eighth bit of the last address byte has been latched in, otherwise the Half Block Erase (HBE) instruction is not executed. As soon as Chip Select (CS#) is driven High, the self-timed Half Block Erase cycle (whose duration is t_{HBE}) is initiated. While the Block Erase cycle is in progress, the Status Register may be read to check the value of the Write In Progress (WIP) bit. The Write In Progress (WIP) bit is 1 during the self-timed Half Block Erase cycle, and is 0 when it is completed. At some unspecified time before the cycle is completed, the Write Enable Latch (WEL) bit is reset.

A Half Block Erase (HBE) instruction applied to a block which is protected by the CMP bit, 4BKL bit, TB bit and Block Protect (BP2, BP1, BP0) bits (see Table 4) or Boot Lock feature will be ignored.

The instruction sequence is shown in Figure 30.1 while using the Enable Quad Peripheral Interface mode (EQPI) (38h) command.

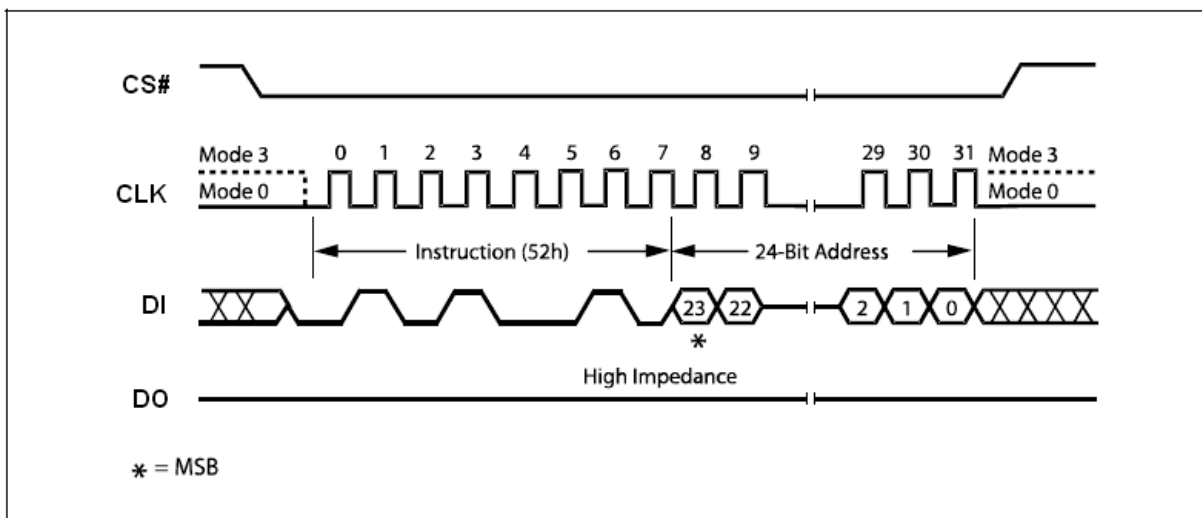


Figure 29. 32KB Half Block Erase Instruction Sequence Diagram

64KB Block Erase (BE) (D8h)

The Block Erase (BE) instruction sets to 1 (FFh) all bits inside the chosen block. Before it can be accepted, a Write Enable (WREN) instruction must previously have been executed. After the Write Enable (WREN) instruction has been decoded, the device sets the Write Enable Latch (WEL).

The Block Erase (BE) instruction is entered by driving Chip Select (CS#) Low, followed by the instruction code, and three address bytes on Serial Data Input (DI). Any address inside the Block (see Table 3) is a valid address for the Block Erase (BE) instruction. Chip Select (CS#) must be driven Low for the entire duration of the sequence.

The instruction sequence is shown in Figure 30. Chip Select (CS#) must be driven High after the eighth bit of the last address byte has been latched in, otherwise the Block Erase (BE) instruction is not executed. As soon as Chip Select (CS#) is driven High, the self-timed Block Erase cycle (whose duration is t_{BE}) is initiated. While the Block Erase cycle is in progress, the Status Register may be read to check the value of the Write In Progress (WIP) bit. The Write In Progress (WIP) bit is 1 during the self-timed Block Erase cycle, and is 0 when it is completed. At some unspecified time before the cycle is completed, the Write Enable Latch (WEL) bit is reset.

A Block Erase (BE) instruction applied to a block which is protected by the CMP bit, 4BKL bit, TB bit and Block Protect (BP2, BP1, BP0) bits (see Table 4) or Boot Lock feature will be ignored.

The instruction sequence is shown in Figure 30.1 while using the Enable Quad Peripheral Interface mode (EQPI) (38h) command.

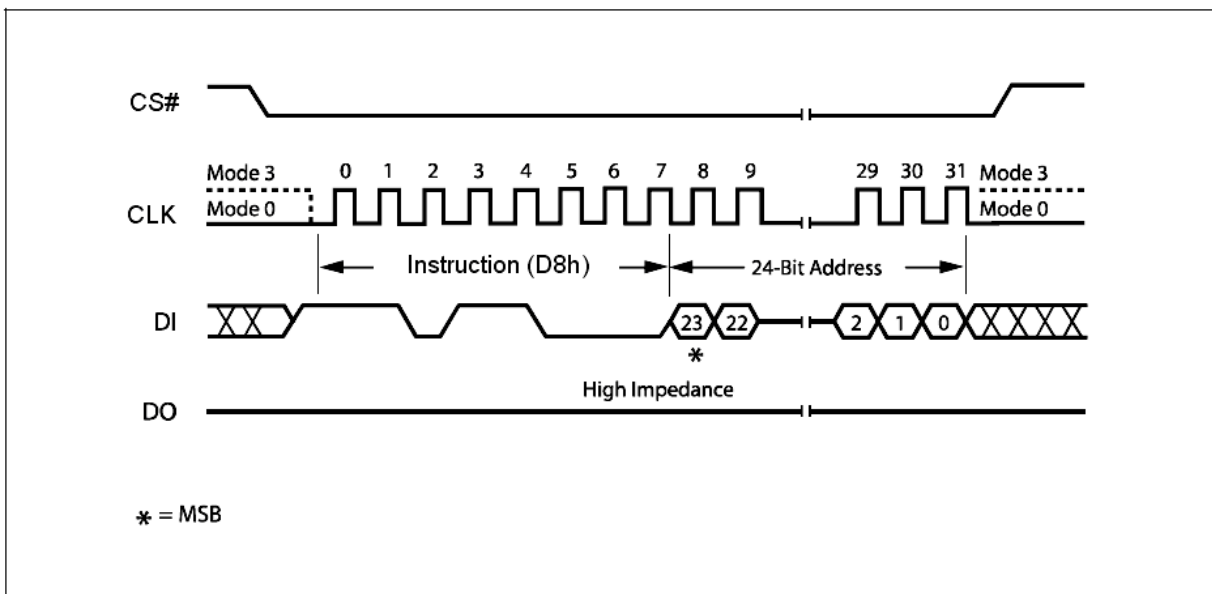


Figure 30. 64KB Block Erase Instruction Sequence Diagram

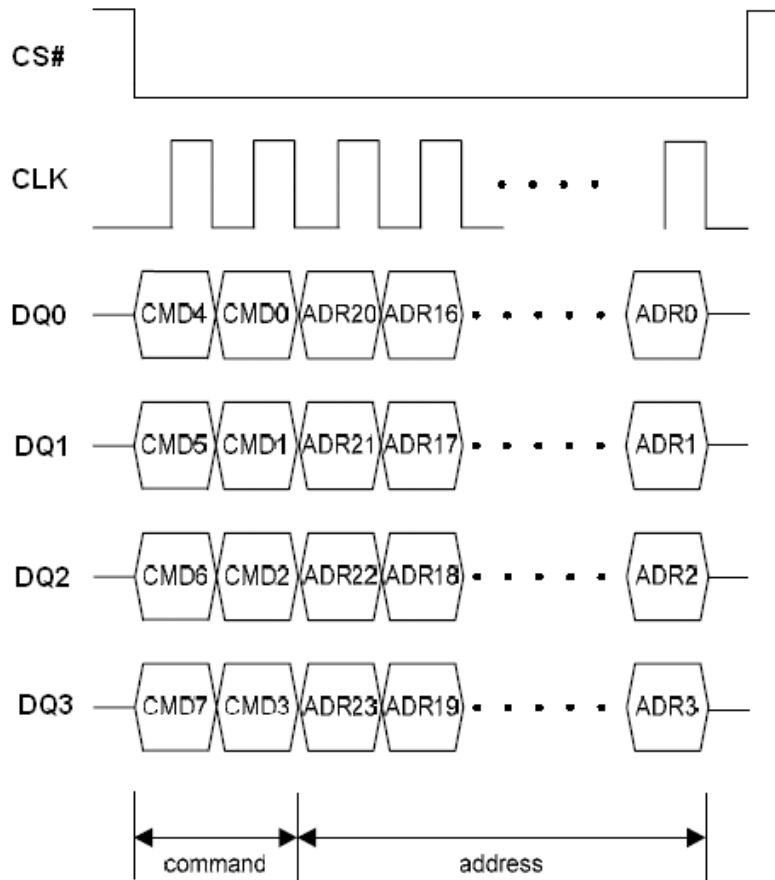


Figure 30.1 Half Block/Block/Sector Erase Instruction Sequence in QPI Mode

Chip Erase (CE) (C7h/60h)

The Chip Erase (CE) instruction sets all bits to 1 (FFh). Before it can be accepted, a Write Enable (WREN) instruction must previously have been executed. After the Write Enable (WREN) instruction has been decoded, the device sets the Write Enable Latch (WEL).

The Chip Erase (CE) instruction is entered by driving Chip Select (CS#) Low, followed by the instruction code on Serial Data Input (DI). Chip Select (CS#) must be driven Low for the entire duration of the sequence.

The instruction sequence is shown in Figure 31. Chip Select (CS#) must be driven High after the eighth bit of the instruction code has been latched in, otherwise the Chip Erase instruction is not executed. As soon as Chip Select (CS#) is driven High, the self-timed Chip Erase cycle (whose duration is t_{CE}) is initiated. While the Chip Erase cycle is in progress, the Status Register may be read to check the value of the Write In Progress (WIP) bit. The Write In Progress (WIP) bit is 1 during the self-timed Chip Erase cycle, and is 0 when it is completed. At some unspecified time before the cycle is completed, the Write Enable Latch (WEL) bit is reset.

The Chip Erase (CE) instruction is ignored if one, or more blocks are protected.

The instruction sequence is shown in Figure 31.1 while using the Enable Quad Peripheral Interface mode (EQPI) (38h) command.

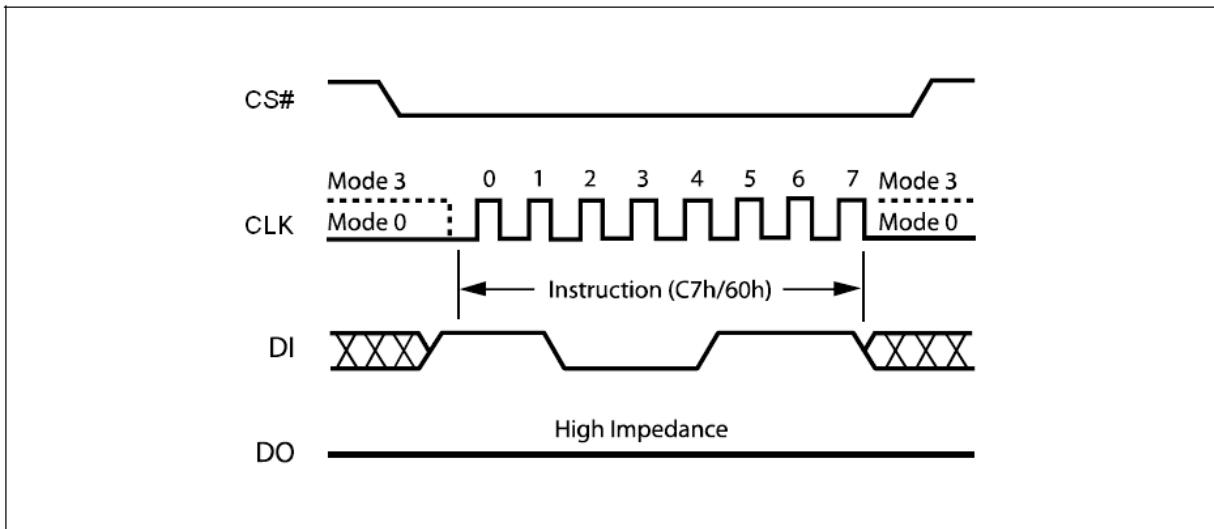


Figure 31. Chip Erase Instruction Sequence Diagram

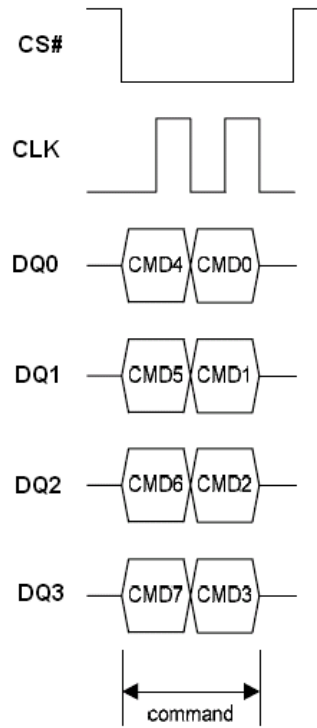


Figure 31.1 Chip Erase Sequence in QPI Mode

Deep Power-down (DP) (B9h)

Executing the Deep Power-down (DP) instruction is the only way to put the device in the lowest consumption mode (the Deep Power-down mode). It can also be used as an extra software protection mechanism, while the device is not in active use, since in this mode, the device ignores all Write, Program and Erase instructions.

Driving Chip Select (CS#) High deselects the device, and puts the device in the Standby mode (if there is no internal cycle currently in progress). But this mode is not the Deep Power-down mode. The Deep Power-down mode can only be entered by executing the Deep Power-down (DP) instruction, to reduce the standby current (from I_{CC1} to I_{CC2} , as specified in Table 16.)

Once the device has entered the Deep Power-down mode, all instructions are ignored except the Release from Deep Power-down and Read Device ID (RDI) instruction. This releases the device from this mode. The Release from Deep Power-down and Read Device ID (RDI) instruction also allows the Device ID of the device to be output on Serial Data Output (DO).

The Deep Power-down mode automatically stops at Power-down, and the device always Powers-up in the Standby mode. The Deep Power-down (DP) instruction is entered by driving Chip Select (CS#) Low, followed by the instruction code on Serial Data Input (DI). Chip Select (CS#) must be driven Low for the entire duration of the sequence.

The instruction sequence is shown in Figure 32. Chip Select (CS#) must be driven High after the eighth bit of the instruction code has been latched in, otherwise the Deep Power-down (DP) instruction is not executed. As soon as Chip Select (CS#) is driven High, it requires a delay of t_{DP} before the supply current is reduced to I_{CC2} and the Deep Power-down mode is entered.

Any Deep Power-down (DP) instruction, while an Erase, Program or Write cycle is in progress, is rejected without having any effects on the cycle that is in progress.

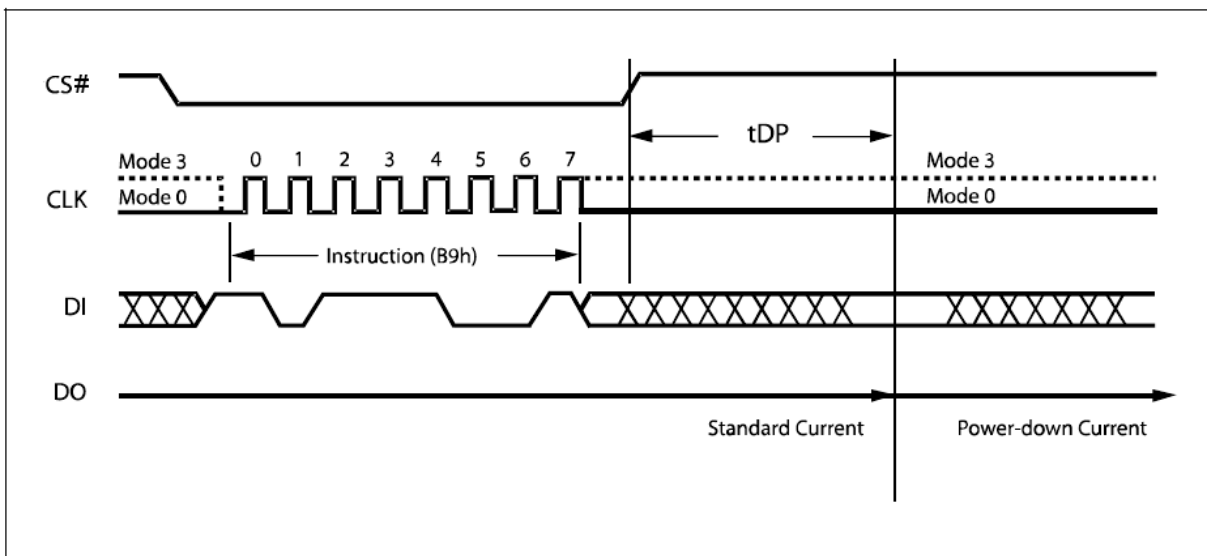


Figure 32. Deep Power-down Instruction Sequence Diagram

Release from Deep Power-down and Read Device ID (RDI)

Once the device has entered the Deep Power-down mode, all instructions are ignored except the Release from Deep Power-down and Read Device ID (RDI) instruction. Executing this instruction takes the device out of the Deep Power-down mode.

Please note that this is not the same as, or even a subset of, the JEDEC 16-bit Electronic Signature that is read by the Read Identifier (RDID) instruction. The old-style Electronic Signature is supported for reasons of backward compatibility, only, and should not be used for new designs. New designs should, instead, make use of the JEDEC 16-bit Electronic Signature, and the Read Identifier (RDID) instruction.

When used only to release the device from the power-down state, the instruction is issued by driving the CS# pin low, shifting the instruction code “ABh” and driving CS# high as shown in Figure 33. After the time duration of t_{RES1} (See AC Characteristics) the device will resume normal operation and other instructions will be accepted. The CS# pin must remain high during the t_{RES1} time duration.

When used only to obtain the Device ID while not in the power-down state, the instruction is initiated by driving the CS# pin low and shifting the instruction code “ABh” followed by 3-dummy bytes. The Device ID bits are then shifted out on the falling edge of CLK with most significant bit (MSB) first as shown in Figure 34. The Device ID values for the device are listed in Table 7. The Device ID can be read continuously. The instruction is completed by driving CS# high.

When Chip Select (CS#) is driven High, the device is put in the Stand-by Power mode. If the device was not previously in the Deep Power-down mode, the transition to the Stand-by Power mode is immediate. If the device was previously in the Deep Power-down mode, though, the transition to the Standby Power mode is delayed by t_{RES2} , and Chip Select (CS#) must remain High for at least t_{RES2} (max), as specified in Table 18. Once in the Stand-by Power mode, the device waits to be selected, so that it can receive, decode and execute instructions.

Except while an Erase, Program or Write Status Register cycle is in progress, the Release from Deep Power-down and Read Device ID (RDI) instruction always provides access to the 8bit Device ID of the device, and can be applied even if the Deep Power-down mode has not been entered.

Any Release from Deep Power-down and Read Device ID (RDI) instruction while an Erase, Program or Write Status Register cycle is in progress, is not decoded, and has no effect on the cycle that is in progress.

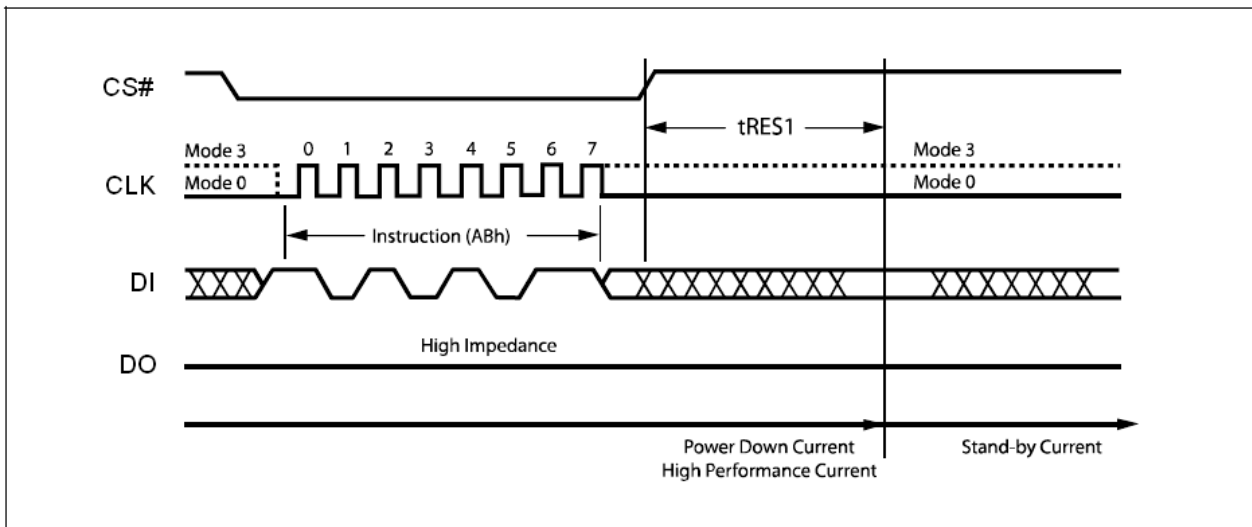


Figure 33. Release Power-down Instruction Sequence Diagram

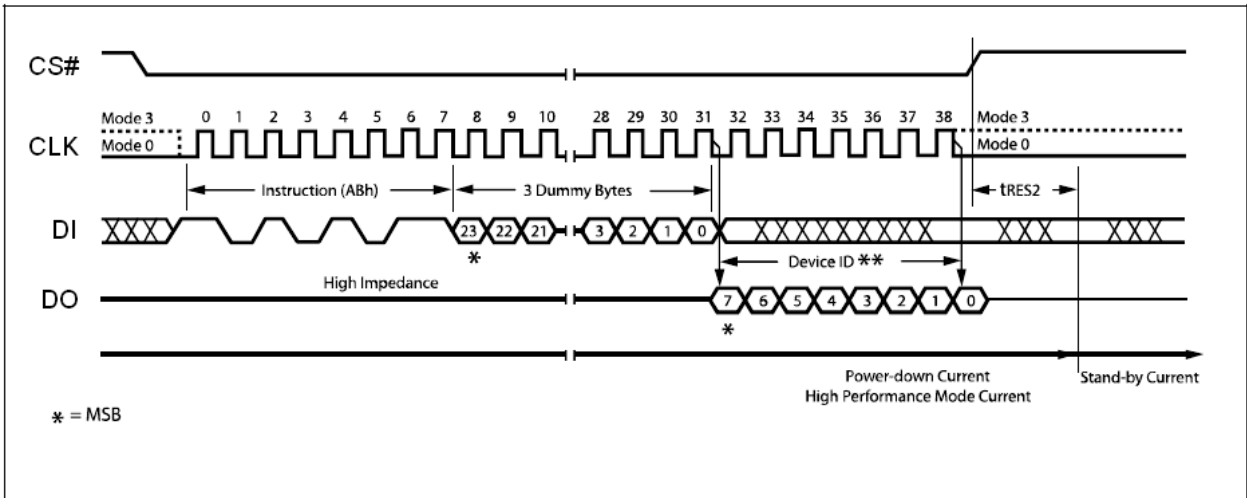


Figure 34. Release Power-down / Device ID Instruction Sequence Diagram

Read Manufacturer / Device ID (90h)

The Read Manufacturer/Device ID instruction is an alternative to the Release from Power-down / Device ID instruction that provides both the JEDEC assigned manufacturer ID and the specific device ID.

The Read Manufacturer/Device ID instruction is very similar to the Release from Power-down / Device ID instruction. The instruction is initiated by driving the CS# pin low and shifting the instruction code "90h" followed by a 24-bit address of 000000h. After which, the Manufacturer ID for Eon (1Ch) and the Device ID are shifted out on the falling edge of CLK with most significant bit (MSB) first as shown in Figure 35. The Device ID values for the device are listed in Table 7. If the 24-bit address is initially set to 000001h the Device ID will be read first

The instruction sequence is shown in Figure 35.1 while using the Enable Quad Peripheral Interface mode (EQPI) (38h) command.

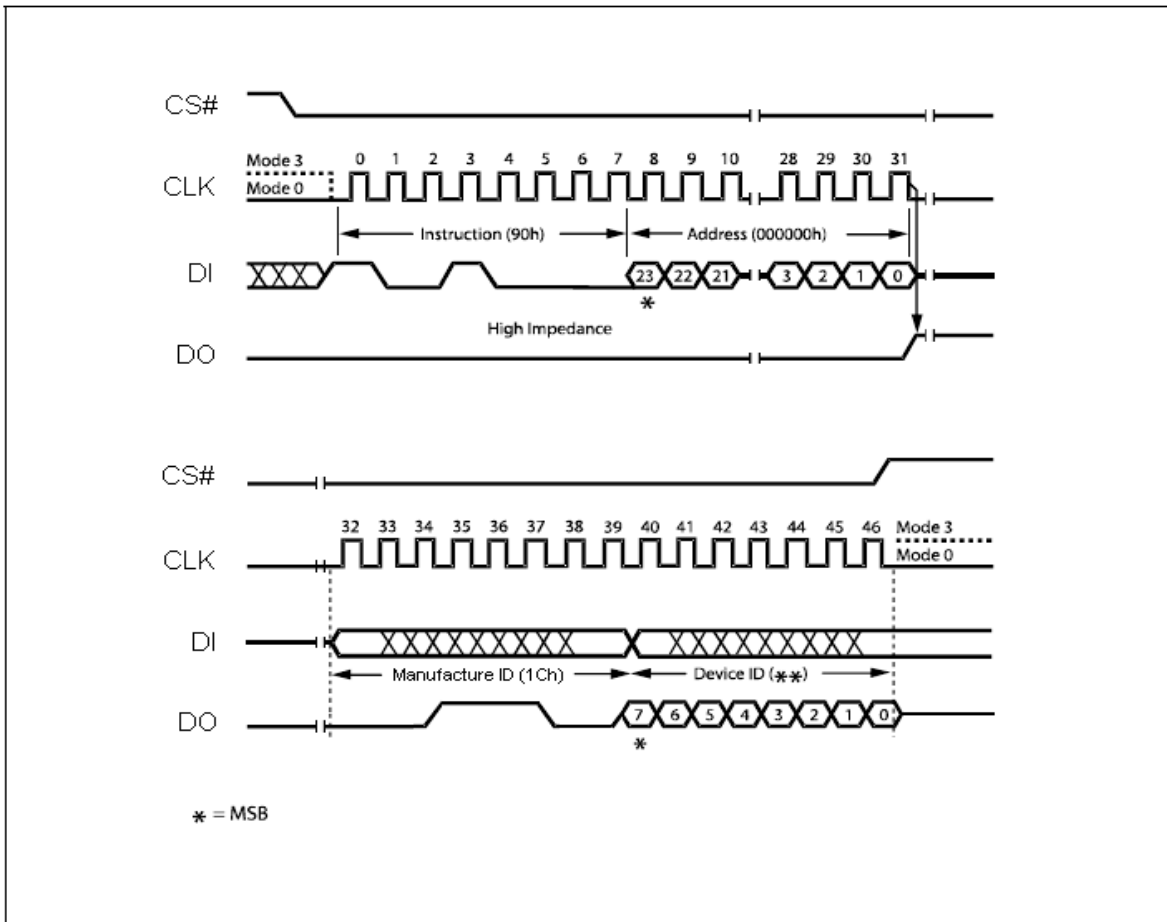


Figure 35. Read Manufacturer / Device ID Diagram

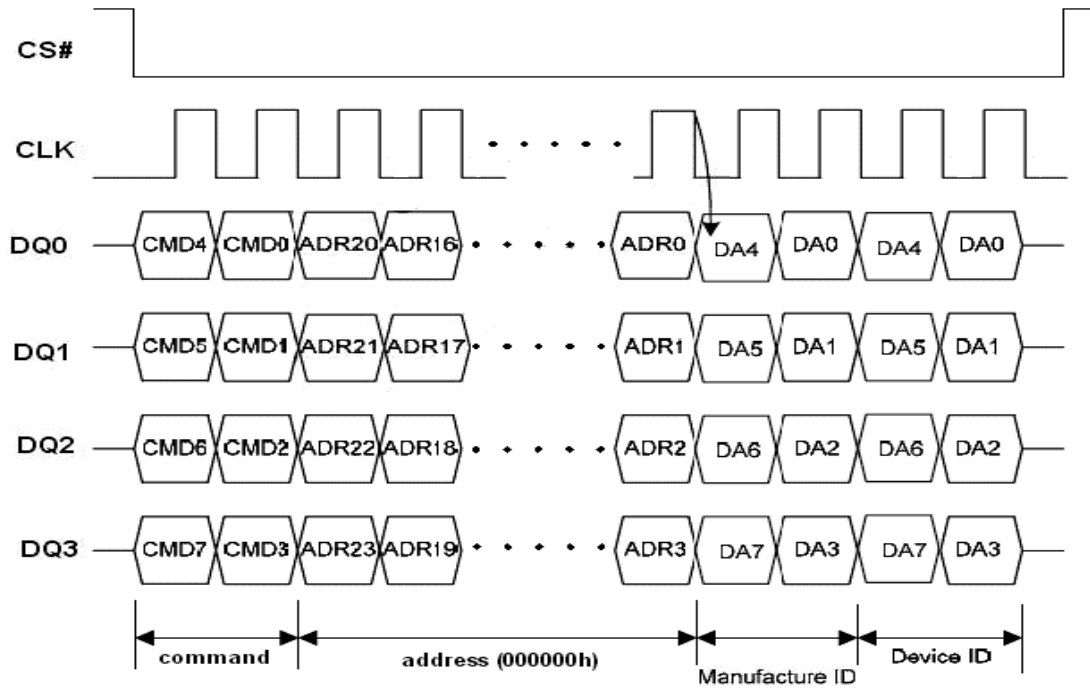


Figure 35.1 Read Manufacturer / Device ID Diagram in QPI Mode

Read Identification (RDID) (9Fh)

The Read Identification (RDID) instruction allows the 8-bit manufacturer identification to be read, followed by two bytes of device identification. The device identification indicates the memory type in the first byte, and the memory capacity of the device in the second byte.

Any Read Identification (RDID) instruction while an Erase or Program cycle is in progress, is not decoded, and has no effect on the cycle that is in progress. The Read Identification (RDID) instruction should not be issued while the device is in Deep Power down mode.

The device is first selected by driving Chip Select Low. Then, the 8-bit instruction code for the instruction is shifted in. This is followed by the 24-bit device identification, stored in the memory, being shifted out on Serial Data Output, each bit being shifted out during the falling edge of Serial Clock. The instruction sequence is shown in Figure 36. The Read Identification (RDID) instruction is terminated by driving Chip Select High at any time during data output.

When Chip Select is driven High, the device is put in the Standby Power mode. Once in the Standby Power mode, the device waits to be selected, so that it can receive, decode and execute instructions.

The instruction sequence is shown in Figure 36.1 while using the Enable Quad Peripheral Interface mode (EQPI) (38h) command.

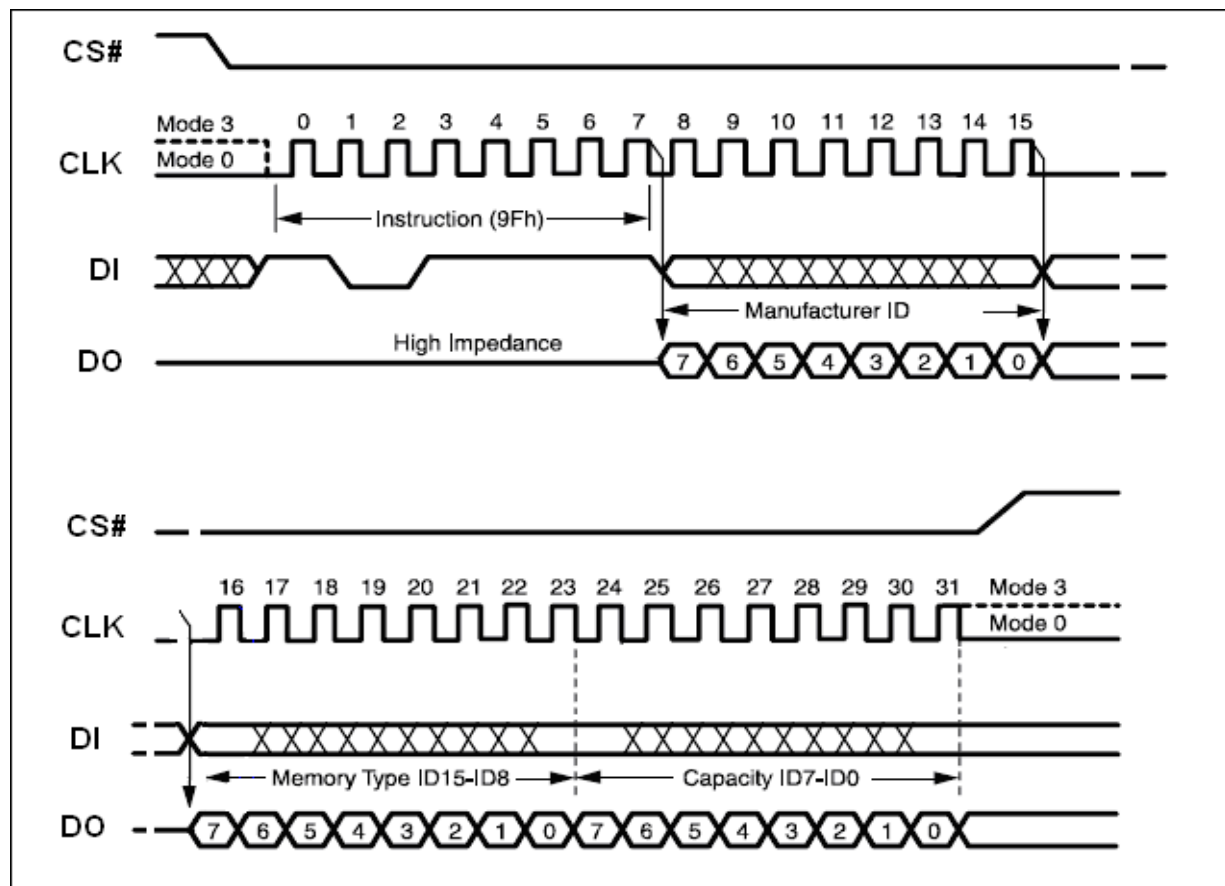


Figure 36. Read Identification (RDID)

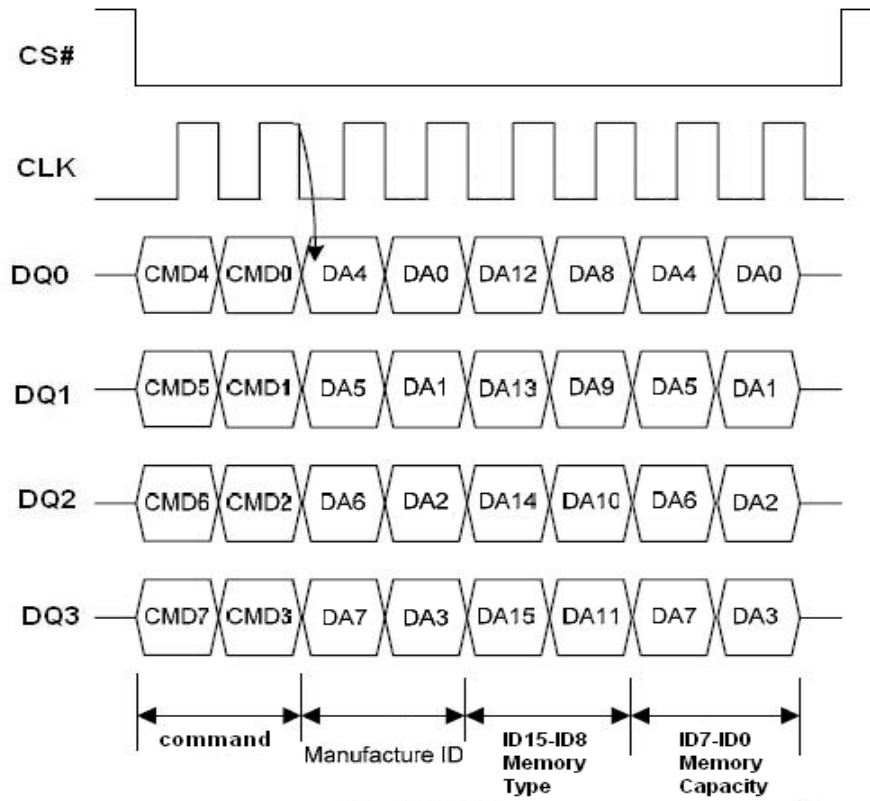


Figure 36.1 Read Identification (RDID) in QPI Mode

Enter OTP Mode (3Ah)

This Flash support OTP mode to enhance the data protection, user can use the Enter OTP mode (3Ah) command for entering this mode. In OTP mode, the Status Register SR7 bit is served as SPL0 bit, SR3 bit is served as EBL bit, SR2 bit is served as SPL1 bit, SR1 bit is served as SPL2 bit and SR0 bit is served as WIP bit. They can be read by RDSR command.

This Flash has 3 OTP sectors which density are 512bytes, 512bytes, 512bytes, user must issue ENTER OTP MODE command to read, program or erase OTP sectors. After entering OTP mode, the OTP sectors are mapping to sector 127, 126, and 125, **SRP bit** becomes SPL0 bit, BP0 bit becomes SPL1 bit, WEL bit becomes SPL2 bit. The Chip Erase, Block Erase and Half Block Erase commands are also disabled.

In OTP mode, user can read other blocks, bit program /Sector Erase (20h) other blocks only allowed when they are not protected by CMP bit, 4BKL bit, TB bit and Block Protect (BP2, BP1, BP0) bits and Block Lock feature. The OTP sectors can only be erased by Sector Erase (20h). The Chip Erase (C7h/60h), 64K Block Erase(D8h) and 32K Half Block Erase(52h) commands are disable in OTP mode.

Table 11. OTP Sector Address

Lock bit	Sector	Sector Size	Address Range
SPL0	127	512 byte	07F000h – 07F1FFh
SPL1	126	512 byte	07E000h – 07E1FFh
SPL2	125	512 byte	07D000h – 07D1FFh

Note:

1. The OTP sectors are mapping to sector 127, sector 126, and sector 125.
2. While user want to erase one of security sector, only needs to do 1 time of Sector Erase instruction (20h).

WRSR command is used to program SPL0 bit, EBL bit, SPL1 bit, and SPL2 bit to '1', but these bits only can be programmed once. User can use WRDI (04h) command to exit OTP mode.

The instruction sequence is shown in Figure 37.1 while using the Enable Quad Peripheral Interface mode (EQPI) (38h) command.

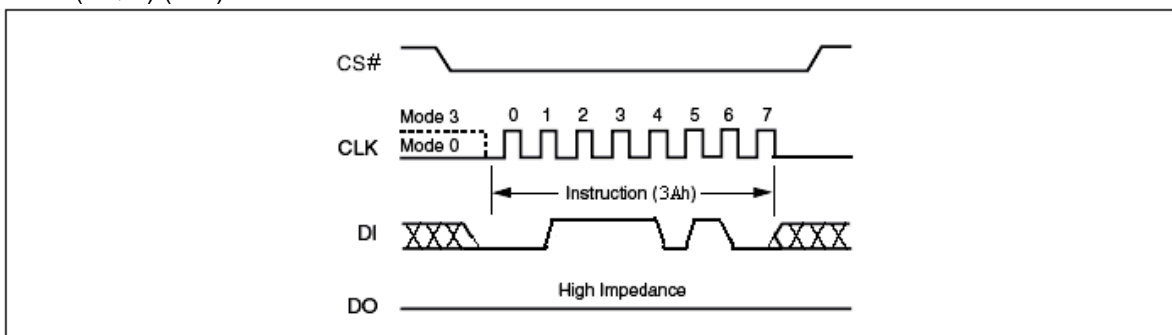


Figure 37. Enter OTP Mode Sequence

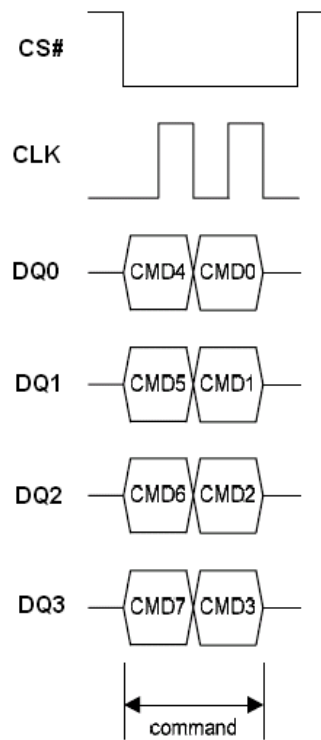


Figure 37.1 Enter OTP Mode Sequence in QPI Mode

Read SFDP Mode and Unique ID Number (5Ah)

Read SFDP Mode

Device features Serial Flash Discoverable Parameters (SFDP) mode. Host system can retrieve the operating characteristics, structure and vendor specified information such as identifying information, memory size, operating voltage and timing information of this device by SFDP mode.

The device is first selected by driving Chip Select (CS#) Low. The instruction code for the Read SFDP Mode is followed by a 3-byte address (A23-A0) and a dummy byte, each bit being latched-in during the rising edge of Serial Clock (CLK). Then the memory contents, at that address, is shifted out on Serial Data Output (DO), each bit being shifted out, at a maximum frequency F_R , during the falling edge of Serial Clock (CLK).

The instruction sequence is shown in Figure 38. The first byte addressed can be at any location. The address is automatically incremented to the next higher address after each byte of data is shifted out. The whole memory can, therefore, be read with a single Serial Flash Discoverable Parameters (SFDP) instruction. When the highest address is reached, the address counter rolls over to 0x00h, allowing the read sequence to be continued indefinitely. The Serial Flash Discoverable Parameters (SFDP) instruction is terminated by driving Chip Select (CS#) High. Chip Select (CS#) can be driven High at any time during data output. Any Read Data Bytes at Serial Flash Discoverable Parameters (SFDP) instruction, while an Erase, Program or Write cycle is in progress, is rejected without having any effects on the cycle that is in progress.

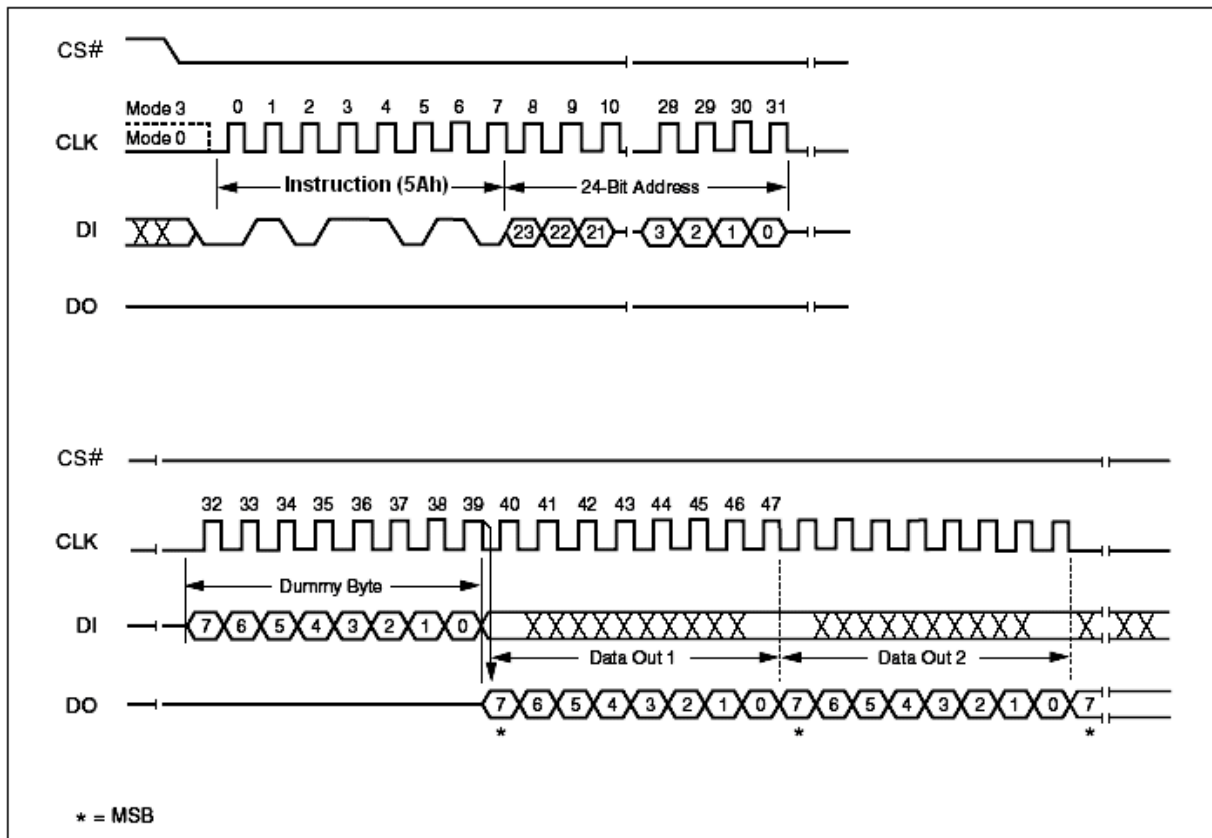


Figure 38. Read SFDP Mode and Unique ID Number Instruction Sequence Diagram

Table 12. Serial Flash Discoverable Parameters (SFDP) Signature and Parameter Identification Data Value (Advanced Information)

Description	Address (h) (Byte Mode)	Address (Bit)	Data	Comment
SFDP Signature	00h	07 : 00	53h	Signature [31:0]: Hex: 50444653
	01h	15 : 08	46h	
	02h	23 : 16	44h	
	03h	31 : 24	50h	
SFDP Minor Revision Number	04h	07 : 00	00h	Star from 0x00
SFDP Major Revision Number	05h	15 : 08	01h	Star from 0x01
Number of Parameter Headers (NPH)	06h	23 : 16	00h	1 parameter header
Unused	07h	31 : 24	FFh	Reserved
ID Number	08h	07 : 00	00h	JEDEC ID
Parameter Table Minor Revision Number	09h	15 : 08	00h	Star from 0x00
Parameter Table Major Revision Number	0Ah	23 : 16	01h	Star from 0x01
Parameter Table Length (in DW)	0Bh	31 : 24	09h	9 DWORDs
Parameter Table Pointer (PTP)	0Ch	07 : 00	30h	000030h
	0Dh	15 : 08	00h	
	0Eh	23 : 16	00h	
Unused	0Fh	31 : 24	FFh	Reserved

Table 13. Parameter ID (0) (Advanced Information) 1/9

Description	Address (h) (Byte Mode)	Address (Bit)	Data	Comment	
Block / Sector Erase sizes Identifies the erase granularity for all Flash Components	30h	00	01b	00 = reserved 01 = 4KB erase 10 = reserved 11 = 64KB erase	
		01			
Write Granularity		02	1b	0 = No, 1 = Yes	
Write Enable Instruction Required for Writing to Volatile Status Register		03	01b	00 = N/A 01 = use 50h opcode 11 = use 06h opcode	
Write Enable Opcode Select for Writing to Volatile Status Register		04			
Unused		05	111b	Reserved	
		06			
		07			
4 Kilo-Byte Erase Opcode		31h	08	20h	4 KB Erase Support (FFh = not supported)
			09		
			10		
	11				
	12				
	13				
	14				
	15				
Supports (1-1-2) Fast Read Device supports single input opcode & address and dual output data Fast Read	32h	16	1b	0 = not supported 1 = supported	
Address Byte Number of bytes used in addressing for flash read, write and erase.		17	00b	00 = 3-Byte 01 = 3- or 4-Byte (e.g. defaults to 3-Byte mode; enters 4-Byte mode on command) 10 = 4-Byte 11 = reserved	
		18			
Supports Double Data Rate (DDR) Clocking Indicates the device supports some type of double transfer rate clocking.		19	0b	0 = not supported 1 = supported	
Supports (1-2-2) Fast Read Device supports single input opcode, dual input address, and dual output data Fast Read		20	1b	0 = not supported 1 = supported	
Supports (1-4-4) Fast Read Device supports single input opcode, quad input address, and quad output data Fast Read		21	1b	0 = not supported 1 = supported	
Supports (1-1-4) Fast Read Device supports single input opcode & address and quad output data Fast Read		22	1b	0 = not supported 1 = supported	
Unused		23	1b	Reserved	
Unused		33h	24	FFh	Reserved
			25		
			26		
	27				
	28				
	29				
	30				
31					

Table 13. Parameter ID (0) (Advanced Information) 2/9

Description	Address (h) (Byte Mode)	Address (Bit)	Data	Comment
Flash Memory Density	37h : 34h	31 : 00	003FFFFFFh	4 Mbits

Table 13. Parameter ID (0) (Advanced Information) 3/9

Description	Address (h) (Byte Mode)	Address (Bit)	Data	Comment
(1-4-4) Fast Read Number of Wait states (dummy clocks) needed before valid output	38h	00	00100b	4 dummy clocks
		01		
		02		
		03		
		04		
Quad Input Address Quad Output (1-4-4) Fast Read Number of Mode Bits	38h	05	010b	8 mode bits
		06		
		07		
(1-4-4) Fast Read Opcode Opcode for single input opcode, quad input address, and quad output data Fast Read.	39h	08	EBh	
		09		
		10		
		11		
		12		
		13		
		14		
(1-1-4) Fast Read Number of Wait states (dummy clocks) needed before valid output	3Ah	16	01000b	8 dummy clocks
		17		
		18		
		19		
(1-1-4) Fast Read Number of Mode Bits	3Ah	20	000b	Not Supported
		21		
		22		
(1-1-4) Fast Read Opcode Opcode for single input opcode & address and quad output data Fast Read.	3Bh	23	6Bh	
		31 : 24		

Table 13. Parameter ID (0) (Advanced Information) 4/9

Description	Address (h) (Byte Mode)	Address (Bit)	Data	Comment
(1-1-2) Fast Read Number of Wait states (dummy clocks) needed before valid output	3Ch	00	01000b	8 dummy clocks
		01		
		02		
		03		
		04		
(1-1-2) Fast Read Number of Mode Bits		05	000b	Not Supported
		06		
		07		
(1-1-2) Fast Read Opcode Opcode for single input opcode & address and dual output data Fast Read.	3Dh	15 : 08	3Bh	
(1-2-2) Fast Read Number of Wait states (dummy clocks) needed before valid output	3Eh	16	00100b	4 dummy clocks
		17		
		18		
		19		
		20		
(1-2-2) Fast Read Number of Mode Bits		21	000b	Not Supported
		22		
		23		
(1-2-2) Fast Read Opcode Opcode for single input opcode, dual input address, and dual output data Fast Read.	3Fh	31 : 24	BBh	

Table 13. Parameter ID (0) (Advanced Information) 5/9

Description	Address (h) (Byte Mode)	Address (Bit)	Data	Comment
Supports (2-2-2) Fast Read Device supports dual input opcode & address and dual output data Fast Read.	40h	00	0b	0 = not supported 1 = supported
Reserved. These bits default to all 1's		01	111b	Reserved
		02		
		03		
Supports (4-4-4) Fast Read Device supports Quad input opcode & address and quad output data Fast Read.		04	1b	0 = not supported 1 = supported (QPI Mode)
Reserved. These bits default to all 1's		05	111b	Reserved
		06		
	07			
Reserved. These bits default to all 1's	43h : 41h	31 : 08	FF FF FFh	Reserved

Table 13. Parameter ID (0) (Advanced Information) 6/9

Description	Address (h) (Byte Mode)	Address (Bit)	Data	Comment
Reserved. These bits default to all 1's	45h : 44h	15 : 00	FF FFh	Reserved
(2-2-2) Fast Read Number of Wait states (dummy clocks) needed before valid output	46h	16	00000b	Not Supported
		17		
		18		
		19		
(2-2-2) Fast Read Number of Mode Bits	46h	20	000b	Not Supported
		21		
		22		
(2-2-2) Fast Read Opcode Opcode for dual input opcode & address and dual output data Fast Read.	47h	31 : 24	FFh	Not Supported

Table 13. Parameter ID (0) (Advanced Information) 7/9

Description	Address (h) (Byte Mode)	Address (Bit)	Data	Comment
Reserved. These bits default to all 1's	49h : 48h	15 : 00	FF FFh	Reserved
(4-4-4) Fast Read Number of Wait states (dummy clocks) needed before valid output	4Ah	16	00100b	4 dummy clocks
		17		
		18		
		19		
(4-4-4) Fast Read Number of Mode Bits	4Ah	20	010b	8 mode bits
		21		
		22		
(4-4-4) Fast Read Opcode Opcode for quad input opcode/address, quad output data Fast Read.	4Bh	31 : 24	EBh	Must Enter QPI Mode Firstly

Table 13. Parameter ID (0) (Advanced Information) 8/9

Description	Address (h) (Byte Mode)	Address (Bit)	Data	Comment
Sector Type 1 Size	4Ch	07 : 00	0Ch	4 KB
Sector Type 1 Opcode	4Dh	15 : 08	20h	
Sector Type 2 Size	4Eh	23 : 16	0Fh	32 KB
Sector Type 2 Opcode	4Fh	31 : 24	52h	

Table 13. Parameter ID (0) (Advanced Information) 9/9

Description	Address (h) (Byte Mode)	Address (Bit)	Data	Comment
Sector Type 3 Size	50h	07 : 00	10h	64 KB
Sector Type 3 Opcode	51h	15 : 08	D8h	
Sector Type 4 Size	52h	23 : 16	00h	Not Supported
Sector Type 4 Opcode	53h	31 : 24	FFh	Not Supported

Read Unique ID Number

The Read Unique ID Number instruction accesses a factory-set read-only 96-bit number that is unique to each device. The ID number can be used in conjunction with user software methods to help prevent copying or cloning of a system. The Read Unique ID instruction is initiated by driving the CS# pin low and shifting the instruction code "5Ah" followed by a three bytes of addresses, 0x80h, and one byte of dummy clocks. After which, the 96-bit ID is shifted out on the falling edge of CLK.

Table 14. Unique ID Number

Description	Address (h) (Byte Mode)	Address (Bit)	Data	Comment
Unique ID Number	80h : 8Bh	95 : 00	By die	

Power-up Timing

All functionalities and DC specifications are specified for a V_{CC} ramp rate of greater than 1V per 100 ms. See Table 15 and Figure 39 for more information.

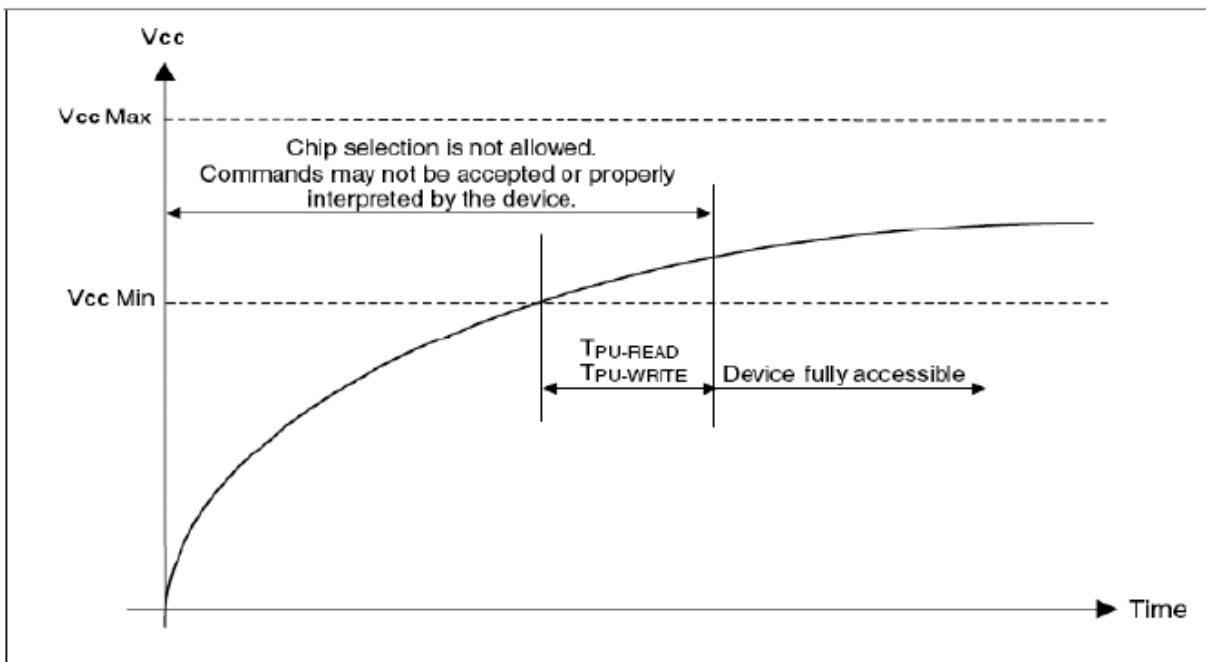


Figure 39. Power-up Timing

Table 15. Power-Up Timing and Write Inhibit Threshold

Symbol	Parameter	Min.	Unit
TPU-READ ⁽¹⁾	VCC Min to Read Operation	100	μs
TPU-WRITE ⁽¹⁾	VCC Min to Write Operation	100	μs

Note:

1. This parameter is measured only for initial qualification and after a design or process change that could affect this parameter.

INITIAL DELIVERY STATE

The device is delivered with the memory array erased: all bits are set to 1 (each byte contains FFh). The Status Register contains 00h (all Status Register bits are 0).

Table 16. DC Characteristics

($T_A = -40^{\circ}\text{C}$ to 85°C ; $V_{CC} = 2.3\text{-}3.6\text{V}$)

Symbol	Parameter	Test Conditions	Min.	Typ.	Max.	Unit
I_{LI}	Input Leakage Current		-	1	± 2	μA
I_{LO}	Output Leakage Current		-	1	± 2	μA
I_{CC1}	Standby Current	$CS\# = V_{CC}, V_{IN} = V_{SS}$ or V_{CC}	-	1	20	μA
I_{CC2}	Deep Power-down Current	$CS\# = V_{CC}, V_{IN} = V_{SS}$ or V_{CC}	-	1	20	μA
I_{CC3}	Operating Current (READ)	$CLK = 0.1 V_{CC} / 0.9 V_{CC}$ at 104MHz, $DQ = \text{open}$	-	5	10	mA
		$CLK = 0.1 V_{CC} / 0.9 V_{CC}$ at 104MHz for Quad Output Read, $DQ = \text{open}$	-	14	18	mA
I_{CC4}	Operating Current (PP)	$CS\# = V_{CC}$	-	9	20	mA
I_{CC5}	Operating Current (WRSR / WRSR4)	$CS\# = V_{CC}$	-	-	12	mA
I_{CC6}	Operating Current (SE)	$CS\# = V_{CC}$	-	9	20	mA
I_{CC7}	Operating Current (BE)	$CS\# = V_{CC}$	-	9	20	mA
V_{IL}	Input Low Voltage		-0.5	-	$0.2 V_{CC}$	V
V_{IH}	Input High Voltage		$0.7V_{CC}$	-	$V_{CC}+0.4$	V
V_{OL}	Output Low Voltage	$I_{OL} = 100 \mu\text{A}, V_{CC} = V_{CC} \text{ Min.}$	-	-	0.3	V
V_{OH}	Output High Voltage	$I_{OH} = -100 \mu\text{A}, V_{CC} = V_{CC} \text{ Min.}$	$V_{CC}-0.2$	-	-	V

Note:

- Note: 1. Erase current measure on all cells = '0' state.

Table 17. AC Measurement Conditions

Symbol	Parameter	Min.	Max.	Unit
C_L	Load Capacitance	30		pF
	Input Rise and Fall Times		5	ns
	Input Pulse Voltages	$0.2V_{CC}$ to $0.8V_{CC}$		V
	Input Timing Reference Voltages	$0.3V_{CC}$ to $0.7V_{CC}$		V
	Output Timing Reference Voltages	$V_{CC} / 2$		V

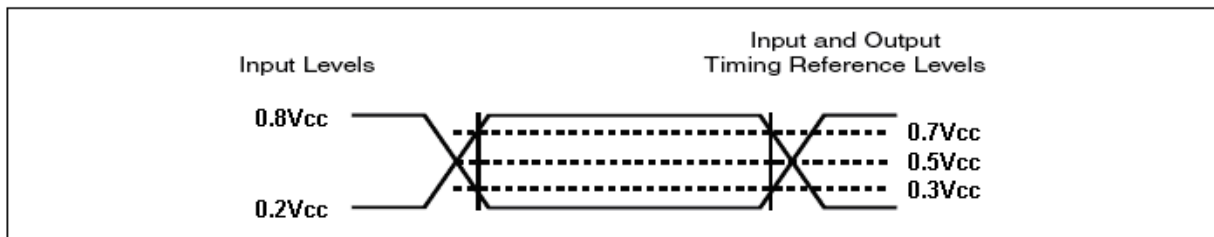


Figure 40. AC Measurement I/O Waveform

Table 18. AC Characteristics
 $(T_A = -40^{\circ}\text{C to } 85^{\circ}\text{C}; V_{CC} = 2.3\text{-}3.6\text{V})$

Symbol	Alt	Parameter	Min	Typ	Max	Unit	
F _R	f _c	Clock Frequency for all other instruction	$2.7\text{V} \leq V_{CC} \leq 3.6\text{V}$	D.C.	-	104	MHz
			$2.3\text{V} \leq V_{CC} < 2.7\text{V}$	D.C.	-	86	MHz
f _R		Clock Frequency for Read Data instruction (03h)	D.C.	-	50	MHz	
t _{CH} ¹		Serial Clock High Time	$2.7\text{V} \leq V_{CC} \leq 3.6\text{V}$	3.5	-	-	ns
			$2.3\text{V} \leq V_{CC} < 2.7\text{V}$	4	-	-	ns
t _{CL} ¹		Serial Clock Low Time	$2.7\text{V} \leq V_{CC} \leq 3.6\text{V}$	3.5	-	-	ns
			$2.3\text{V} \leq V_{CC} < 2.7\text{V}$	4	-	-	ns
t _{CLCH} ²		Serial Clock Rise Time (Slew Rate)	0.1	-	-	V / ns	
t _{CHCL} ²		Serial Clock Fall Time (Slew Rate)	0.1	-	-	V / ns	
t _{SLCH}	t _{css}	CS# Active Setup Time (Relative to CLK)	5	-	-	ns	
t _{CHSH}		CS# Active Hold Time (Relative to CLK)	5	-	-	ns	
t _{SHCH}		CS# Not Active Setup Time (Relative to CLK)	5	-	-	ns	
t _{CHSL}		CS# Not Active Hold Time (Relative to CLK)	5	-	-	ns	
t _{SHSL}	t _{CSH}	CS# High Time	30	-	-	ns	
t _{SHQZ} ²	t _{DIS}	Output Disable Time	-	-	6	ns	
t _{CLQX}	t _{HO}	Output Hold Time	0	-	-	ns	
t _{DVCH}	t _{DSU}	Data In Setup Time	2	-	-	ns	
t _{CHDX}	t _{DH}	Data In Hold Time	5	-	-	ns	
t _{HLCH}		HOLD# Low Setup Time (relative to CLK)	5			ns	
t _{HHCH}		HOLD# High Setup Time (relative to CLK)	5			ns	
t _{CHHH}		HOLD# Low Hold Time (relative to CLK)	5			ns	
t _{CHHL}		HOLD# High Hold Time (relative to CLK)	5			ns	
t _{HLQZ} ²	t _{HZ}	HOLD# Low to High-Z Output			6	ns	
t _{HHQZ} ²	t _{LZ}	HOLD# High to Low-Z Output			6	ns	
t _{CLQV}	t _v	Output Valid from CLK for 30 pF	$2.7\text{V} \leq V_{CC} \leq 3.6\text{V}$	-	-	8	ns
			$2.3\text{V} \leq V_{CC} < 2.7\text{V}$	-	-	10	ns
		Output Valid from CLK for 15 pF	$2.7\text{V} \leq V_{CC} \leq 3.6\text{V}$	-	-	6	ns
			$2.3\text{V} \leq V_{CC} < 2.7\text{V}$	-	-	8	ns
t _{WHSL} ³		Write Protect Setup Time before CS# Low	20	-	-	ns	
t _{SHWL} ³		Write Protect Hold Time after CS# High	100	-	-	ns	
t _{DP} ²		CS# High to Deep Power-down Mode	-	-	3	μs	
t _{RES1} ²		CS# High to Standby Mode without Electronic Signature read	-	-	3	μs	
t _{RES2} ²		CS# High to Standby Mode with Electronic Signature read	-	-	1.8	μs	
t _w		Write Status Register Cycle Time	$2.7\text{V} \leq V_{CC} \leq 3.6\text{V}$	-	4	30	ms
			$2.3\text{V} \leq V_{CC} < 2.7\text{V}$	-	10	50	ms
t _{PP}		Page Programming Time	$2.7\text{V} \leq V_{CC} \leq 3.6\text{V}$	-	0.5	3	ms
			$2.3\text{V} \leq V_{CC} < 2.7\text{V}$	-	0.9	5	ms
t _{SE}		Sector Erase Time (4KB)	$2.7\text{V} \leq V_{CC} \leq 3.6\text{V}$	-	40	300	ms
			$2.3\text{V} \leq V_{CC} < 2.7\text{V}$	-	150	1000	ms
t _{HBE}		32KB Block Erase Time	$2.7\text{V} \leq V_{CC} \leq 3.6\text{V}$	-	0.12	1	s
			$2.3\text{V} \leq V_{CC} < 2.7\text{V}$	-	0.25	2	s

Symbol	Alt	Parameter	Min	Typ	Max	Unit	
t _{BE}		64KB Block Erase Time	2.7V ≤ VCC ≤ 3.6V	-	0.15	2	s
			2.3V ≤ VCC < 2.7V	-	0.4	3	s
t _{CE}		Chip Erase Time	2.7V ≤ VCC ≤ 3.6V	-	2	6	s
			2.3V ≤ VCC < 2.7V	-	3.5	10	s
t _{SR}		Software Reset Latency	WIP = write operation	-	-	28	μs
			WIP = not in write operation	-	-	0	μs

Note:

- t_{CH} + t_{CL} must be greater than or equal to 1/ f_c
- Value guaranteed by characterization, not 100% tested in production.
- Only applicable as a constraint for a Write status Register instruction when Status Register Protect Bit is set at 1.

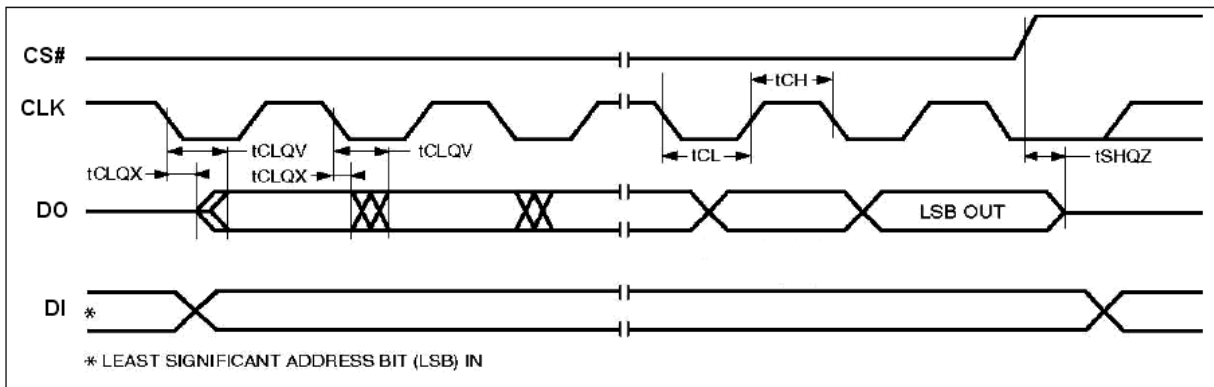


Figure 41. Serial Output Timing

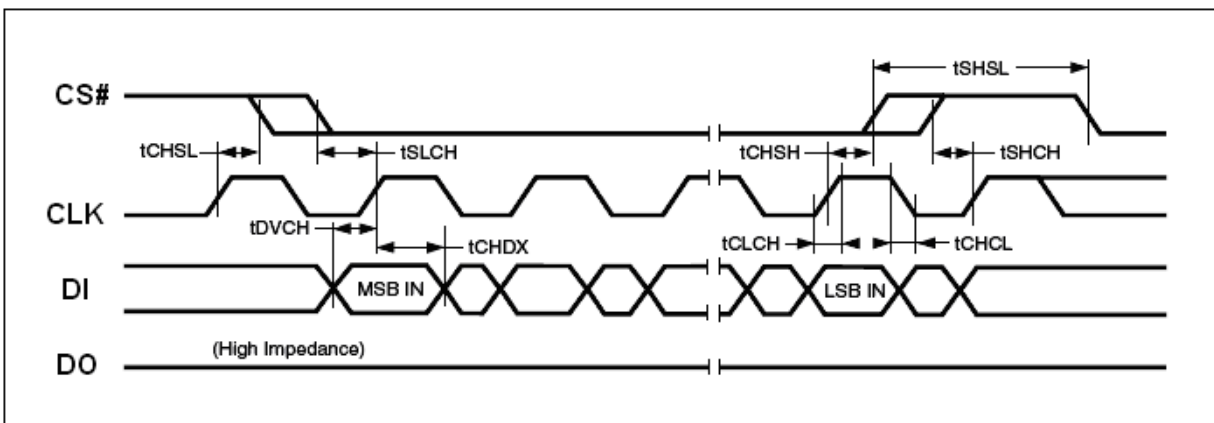
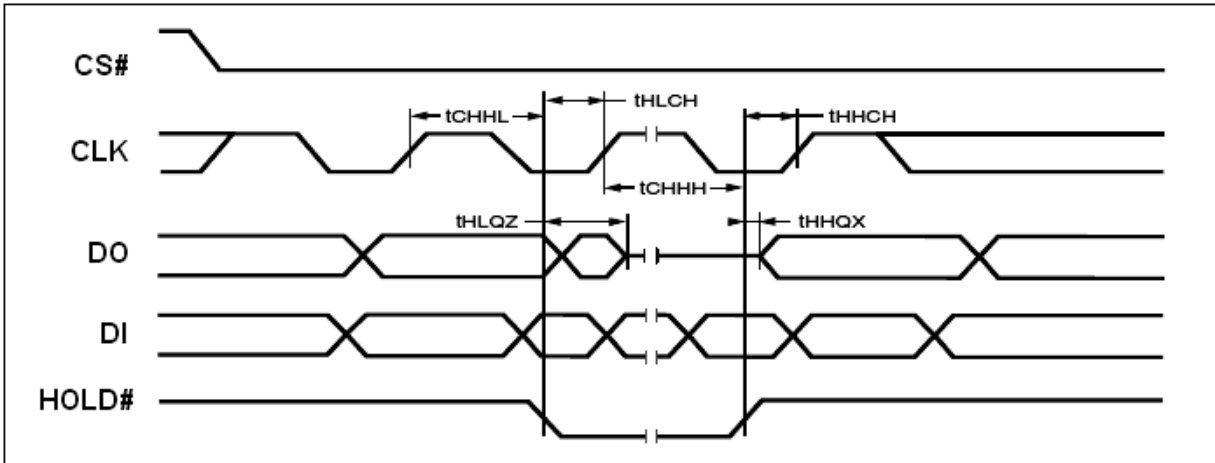
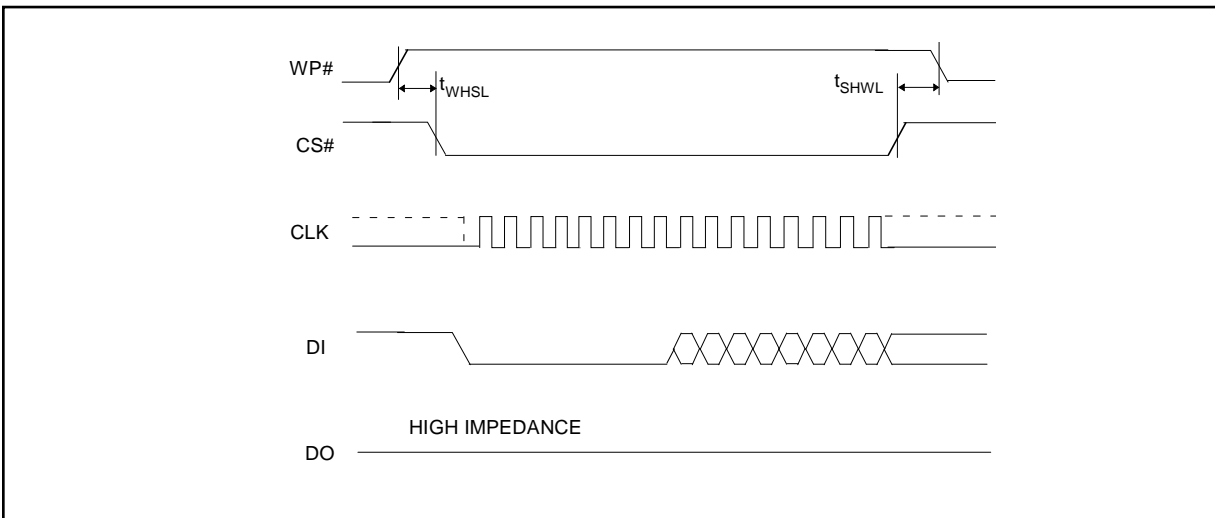


Figure 42. Input Timing


Figure 43. Hold Timing

Figure 44: Write Protect setup and hold timing during WRSR when SRP = 1

ABSOLUTE MAXIMUM RATINGS

Stresses above the values so mentioned above may cause permanent damage to the device. These values are for a stress rating only and do not imply that the device should be operated at conditions up to or above these values. Exposure of the device to the maximum rating values for extended periods of time may adversely affect the device reliability.

Parameter	Value	Unit
Storage Temperature	-65 to +150	°C
Output Short Circuit Current ¹	200	mA
Input and Output Voltage (with respect to ground) ²	-0.5 to +4.0	V
V _{CC}	-0.5 to +4.0	V

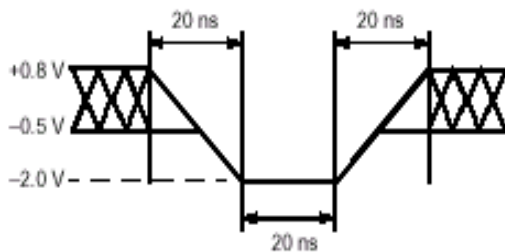
Notes:

1. No more than one output shorted at a time. Duration of the short circuit should not be greater than one second.
2. Minimum DC voltage on input or I/O pins is -0.5 V. During voltage transitions, inputs may undershoot V_{SS} to -1.0V for periods of up to 50ns and to -2.0 V for periods of up to 20ns. See figure below. Maximum DC voltage on output and I/O pins is V_{CC} + 0.5 V. During voltage transitions, outputs may overshoot to V_{CC} + 1.5 V for periods up to 20ns. See figure below.

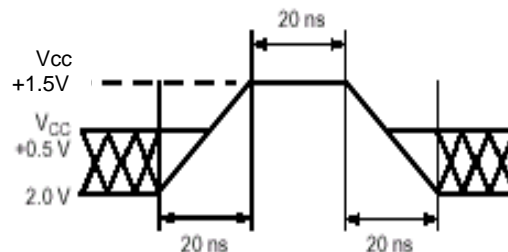
RECOMMENDED OPERATING RANGES

Parameter	Value	Unit
Ambient Operating Temperature Industrial Devices	-40 to 85	°C
Operating Supply Voltage V _{CC}	Full: 2.3 to 3.6	V

Notes: Recommended Operating Ranges define those limits between which the functionality of the device is guaranteed.



Maximum Negative Overshoot Waveform



Maximum Positive Overshoot Waveform

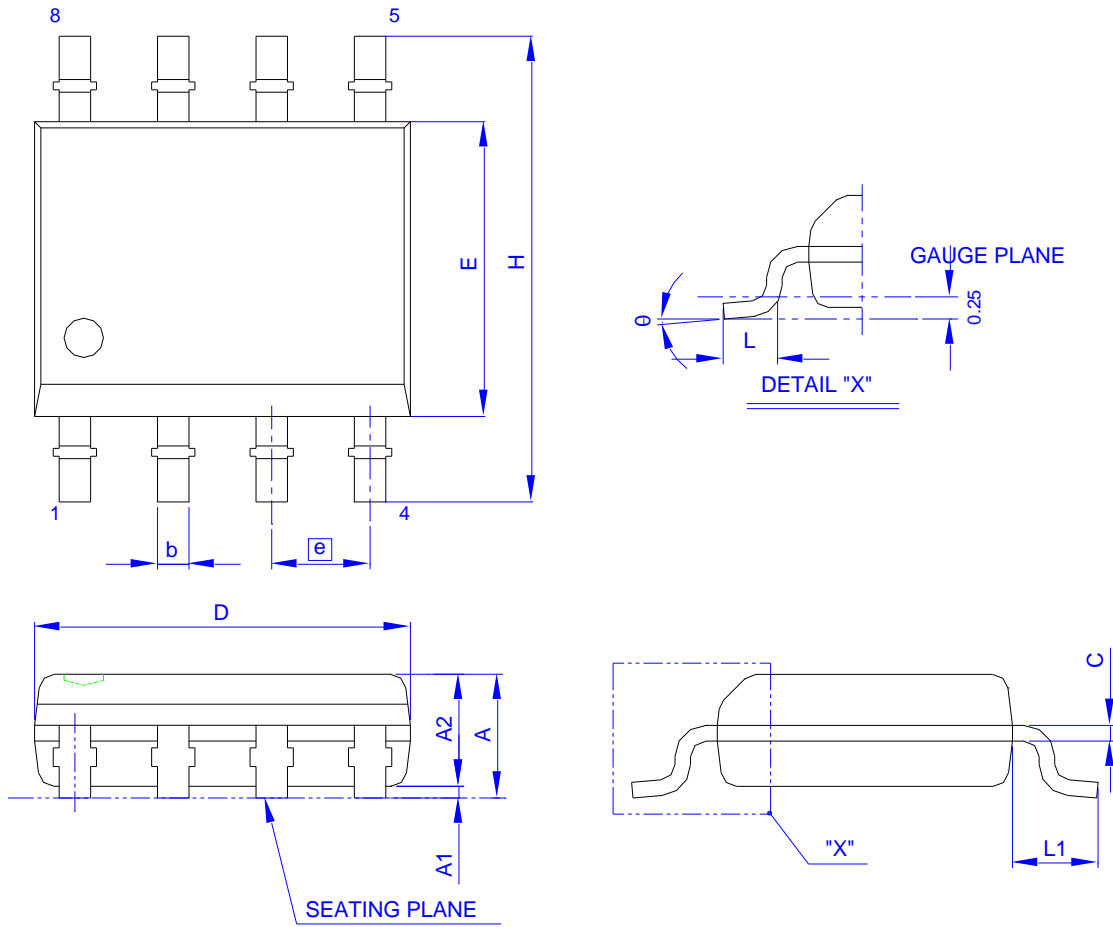
Table 19. CAPACITANCE
 $(V_{CC} = 2.3-3.6V)$

Parameter Symbol	Parameter Description	Test Setup	Max	Unit
C_{IN}	Input Capacitance	$V_{IN} = 0$	6	pF
C_{OUT}	Output Capacitance	$V_{OUT} = 0$	8	pF

Note: Sampled only, not 100% tested, at $T_A = 25^\circ C$ and a frequency of 20MHz.

PACKAGE MECHANICAL

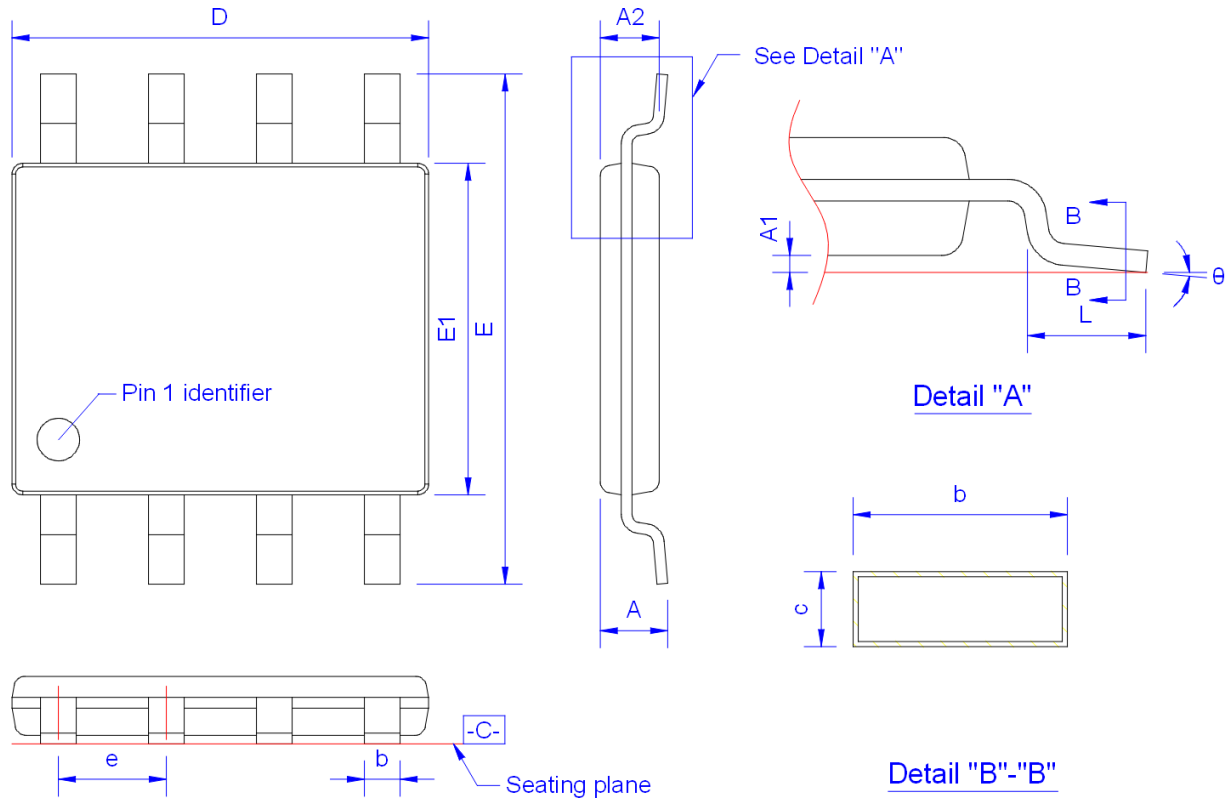
Figure 47. SOP 8 (150 mil)



Symbol	Dimension in mm			Dimension in inch			Symbol	Dimension in mm			Dimension in inch		
	Min	Norm	Max	Min	Norm	Max		Min	Norm	Max	Min	Norm	Max
A	1.35	1.60	1.75	0.053	0.063	0.069	D	4.80	4.90	5.00	0.189	0.193	0.197
A ₁	0.10	0.15	0.25	0.004	0.006	0.010	E	3.80	3.90	4.00	0.150	0.154	0.157
A ₂	1.25	1.45	1.55	0.049	0.057	0.061	L	0.40	0.66	0.86	0.016	0.026	0.034
b	0.33	0.406	0.51	0.013	0.016	0.020	e	1.27 BSC			0.050 BSC		
c	0.19	0.203	0.25	0.0075	0.008	0.010	L ₁	1.00	1.05	1.10	0.039	0.041	0.043
H	5.80	6.00	6.20	0.228	0.236	0.244	θ	0°	---	8°	0°	---	8°

Controlling dimension : millimeter

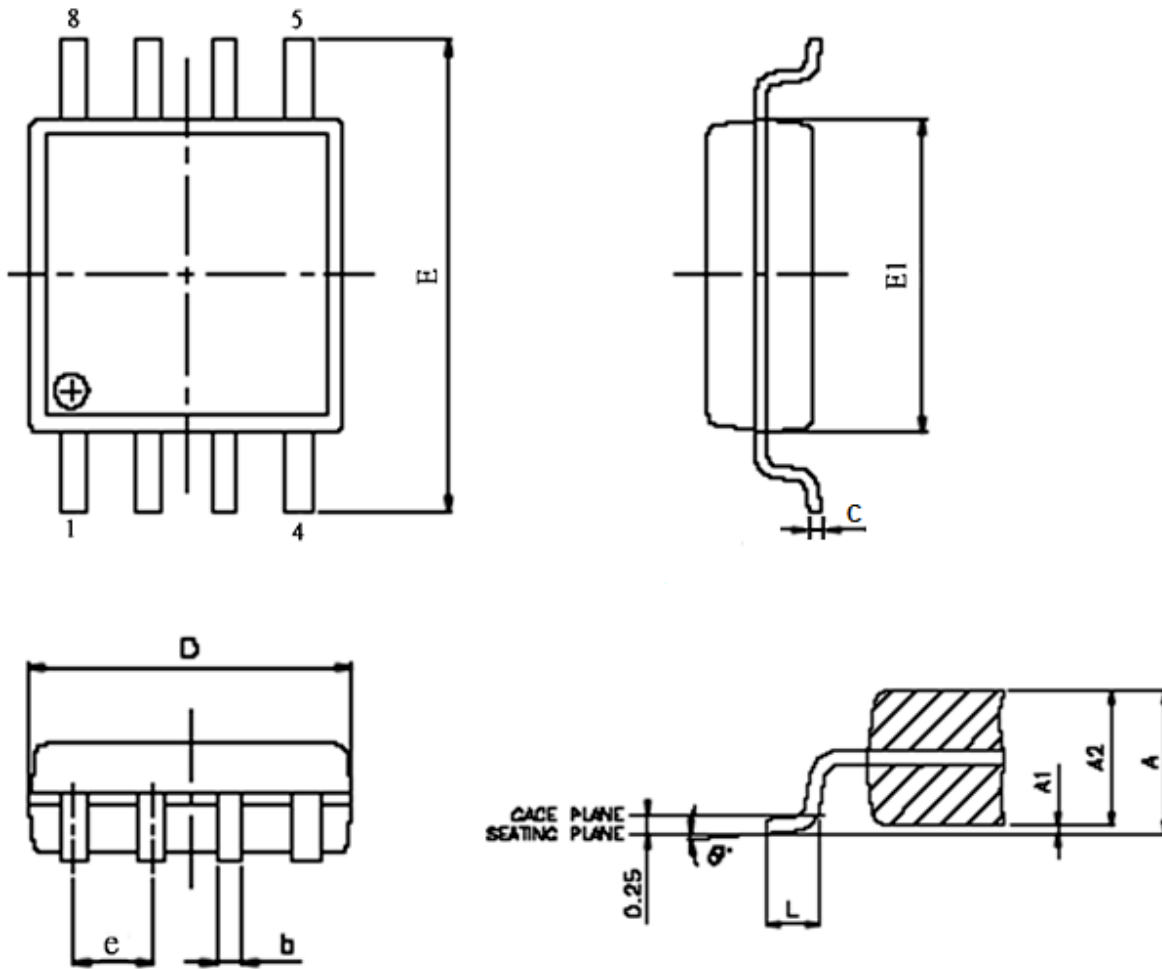
Figure 48. VSOP 8 (150mil)



Symbol	Dimension in mm			Dimension in inch		
	Min	Norm	Max	Min	Norm	Max
A	0.75	0.85	0.90	0.030	0.033	0.035
A1	0.01	0.05	-	0.000	0.002	-
A2	-	0.80	-	-	0.031	-
b	0.33	-	0.51	0.013	-	0.020
c	0.125 BSC			0.005 BSC		
D	4.80	4.90	5.00	0.189	0.193	0.197
E	5.80	6.00	6.20	0.228	0.236	0.244
E1	3.80	3.90	4.00	0.150	0.154	0.157
L	0.40	0.66	0.86	0.016	0.026	0.034
e	1.27 BSC			0.050 BSC		
θ	0°	-	10°	0°	-	10°

Controlling dimension : Millimeter.
 (Revision date : Nov 19 2020)

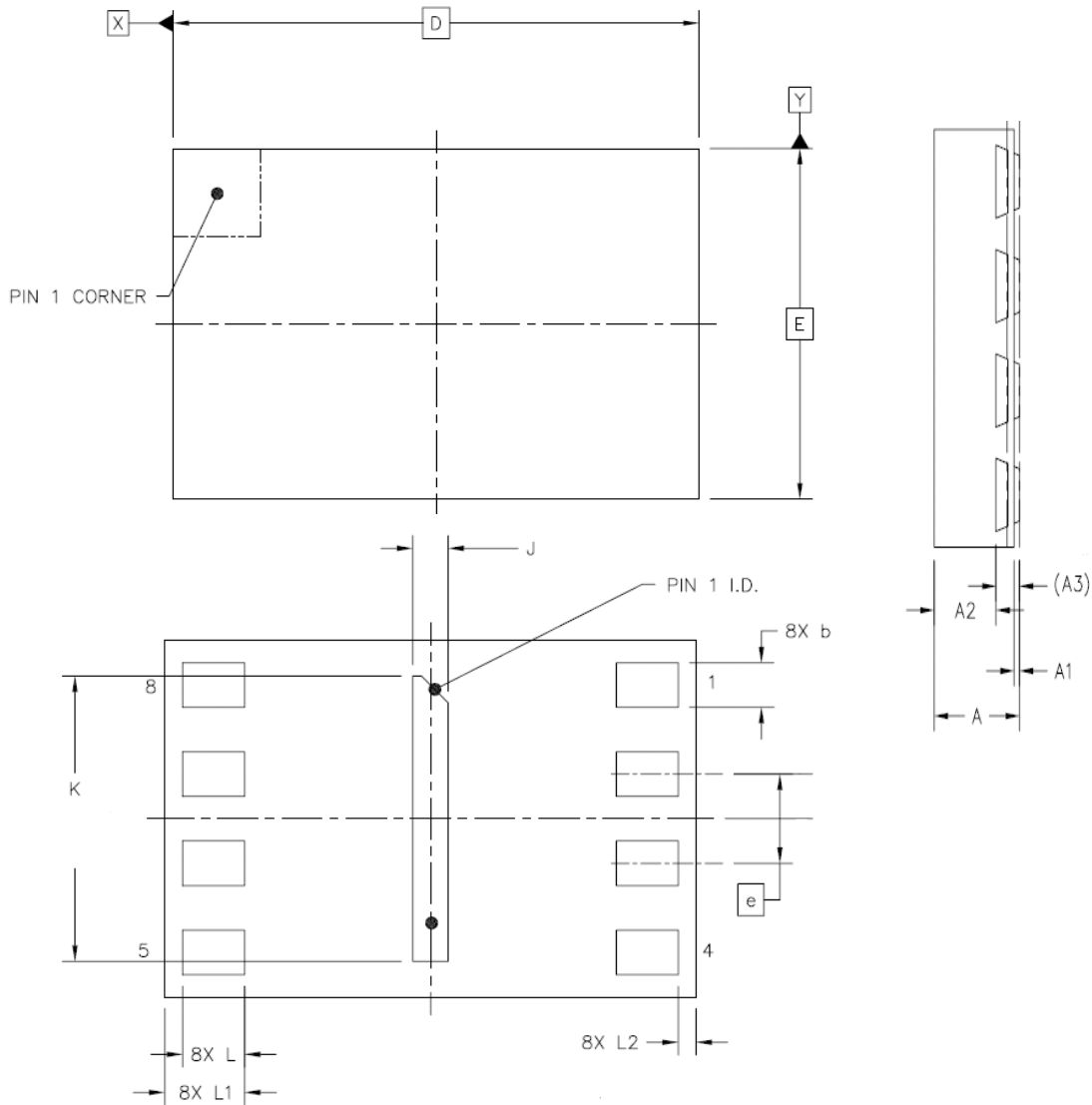
Figure 49. SOP 200 mil (official name = 208 mil)



SYMBOL	DIMENSION IN MM		
	MIN.	NOR	MAX
A	1.75	1.975	2.20
A1	0.05	0.15	0.25
A2	1.70	1.825	1.95
D	5.15	5.275	5.40
E	7.70	7.90	8.10
E1	5.15	5.275	5.40
e	- - -	1.27	- - -
b	0.35	0.425	0.50
C	0.19	0.200	0.25
L	0.5	0.65	0.80
θ	0°	4°	8°

Note : 1. Coplanarity: 0.1 mm
 2. Max. allowable mold flash is 0.15 mm
 at the pkg ends, 0.25 mm between leads.

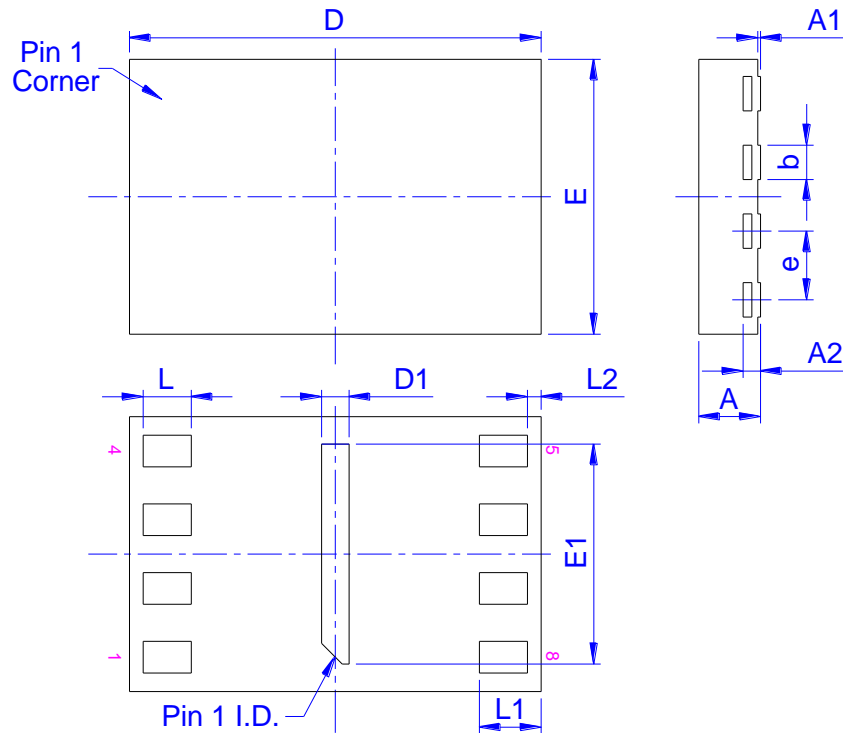
Figure 50. USON (8L 2x3x0.55mm)



SYMBOL	DIMENSION IN MM		
	MIN.	NOR	MAX
A	0.50	0.55	0.60
A1	0.00	0.035	0.05
A2	---	0.40	0.425
A3	0.152 REF		
D	2.90	3.00	3.10
E	1.90	2.00	2.10
J	0.10	0.20	0.30
K	1.50	1.60	1.70
e	0.5 BSC		
b	0.20	0.25	0.30
L	0.30	---	---
L1	0.40	0.45	0.50
L2	---	---	0.15

Notice: This package can't contact to metal trace or pad on board due to expose metal pad underneath the package.

Figure 51. USON (8L 2x3x0.45mm)

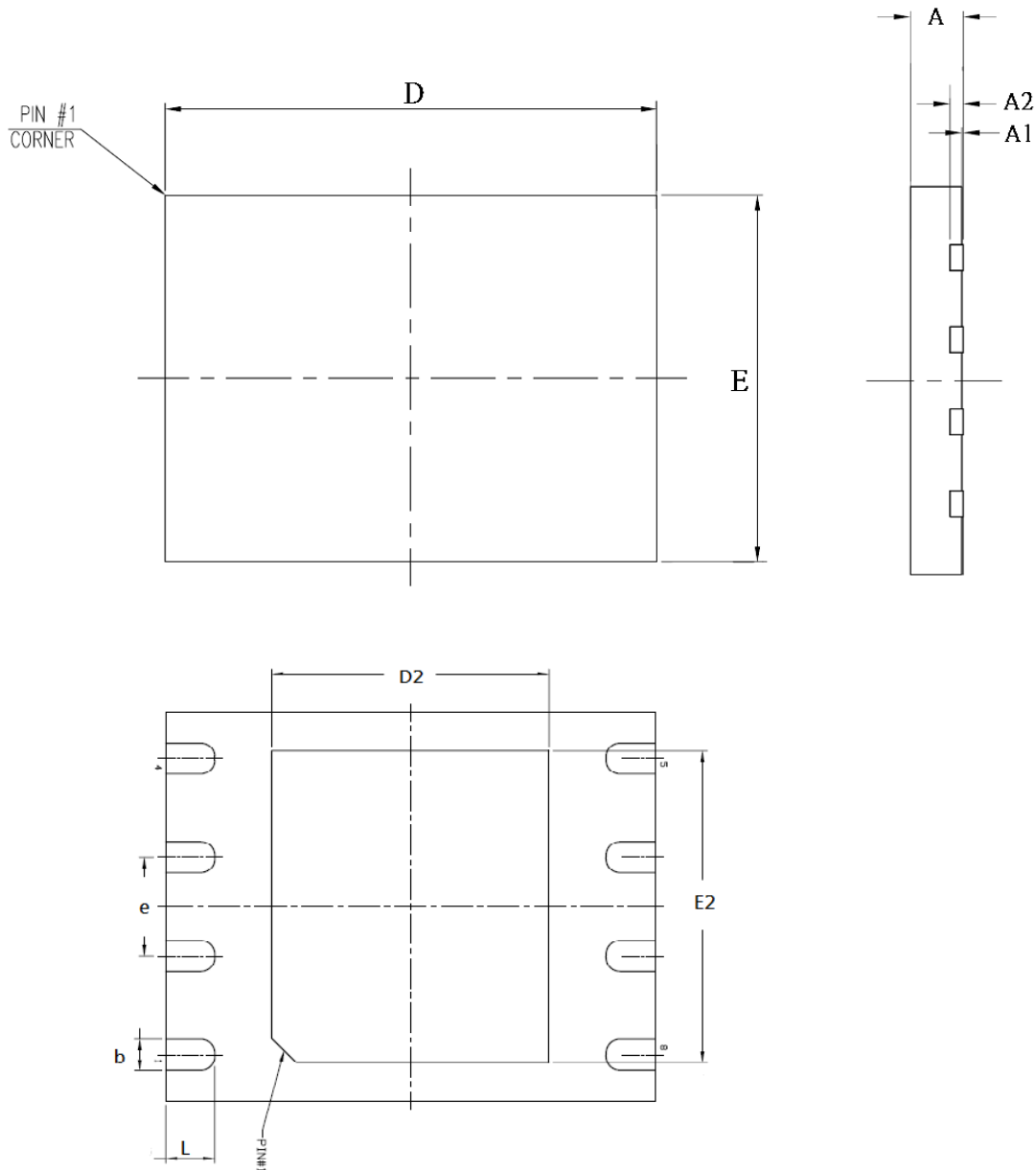


Symbol	Dimension in mm			Dimension in inch		
	Min.	Norm.	Max.	Min.	Norm.	Max.
A	0.40	0.45	0.50	0.016	0.018	0.020
A1	0.00	0.02	0.05	0.000	0.001	0.002
A2	0.127 REF			0.005 REF		
b	0.20	0.25	0.30	0.008	0.010	0.012
D	2.90	3.00	3.10	0.114	0.118	0.122
D1	0.15	0.20	0.25	0.006	0.008	0.010
E	1.90	2.00	2.10	0.075	0.079	0.083
E1	1.55	1.60	1.65	0.061	0.063	0.065
e	0.50 BSC			0.020 BSC		
L	0.30	-	-	0.012	-	-
L1	0.40	0.45	0.50	0.016	0.018	0.020
L2	-	-	0.15	-	-	0.006

Controlling dimension: millimeter

(Revision date : Dec 22 2016)

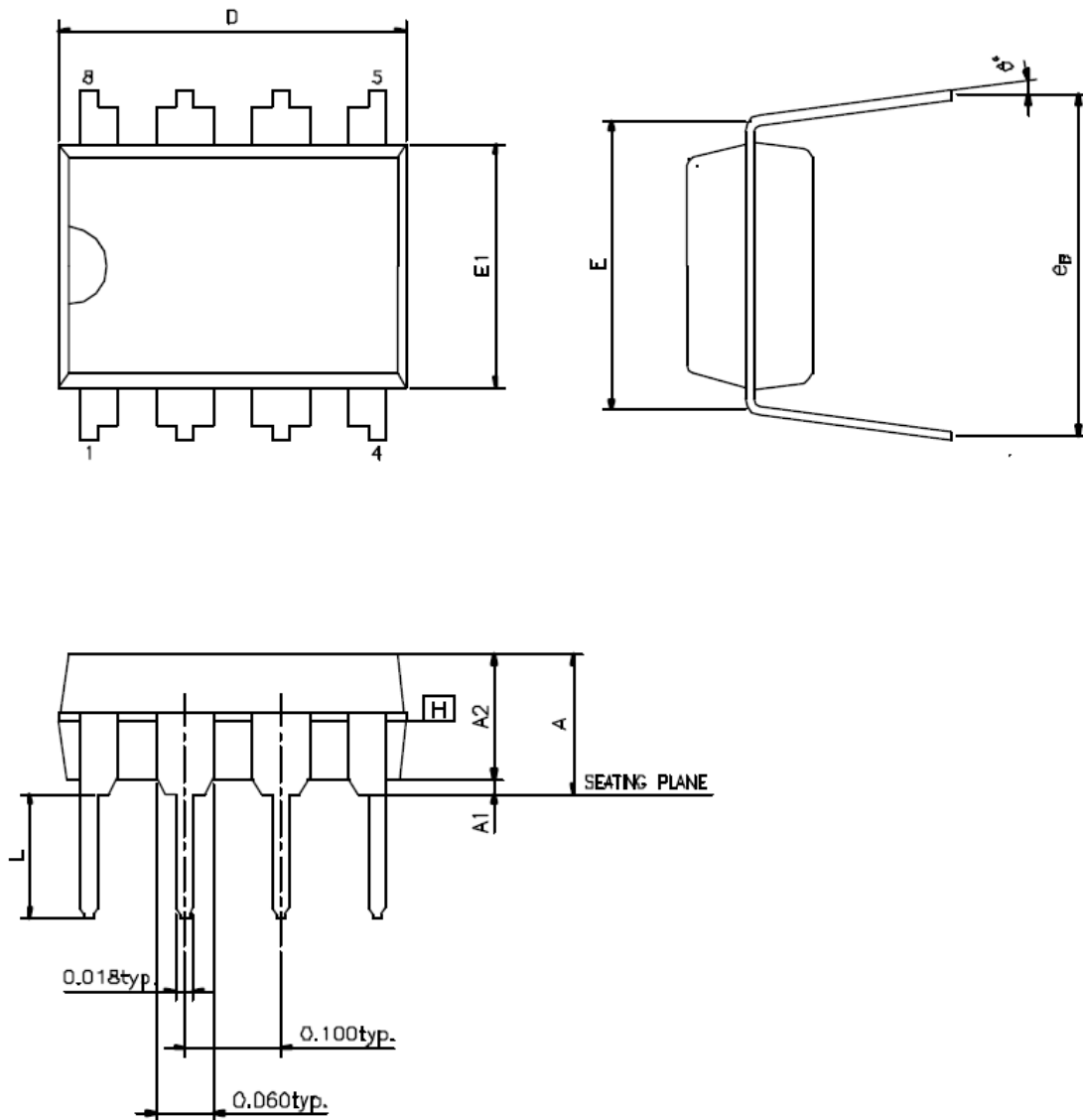
Figure 52. VDFN / WSON 8 (6x5mm)



Controlling dimensions are in millimeters (mm).

SYMBOL	DIMENSION IN MM		
	MIN.	NOR	MAX
A	0.70	0.75	0.80
A1	0.00	0.02	0.04
A2	---	0.20	---
D	5.90	6.00	6.10
E	4.90	5.00	5.10
D2	3.30	3.40	3.50
E2	3.90	4.00	4.10
e	---	1.27	---
b	0.35	0.40	0.45
L	0.55	0.60	0.65

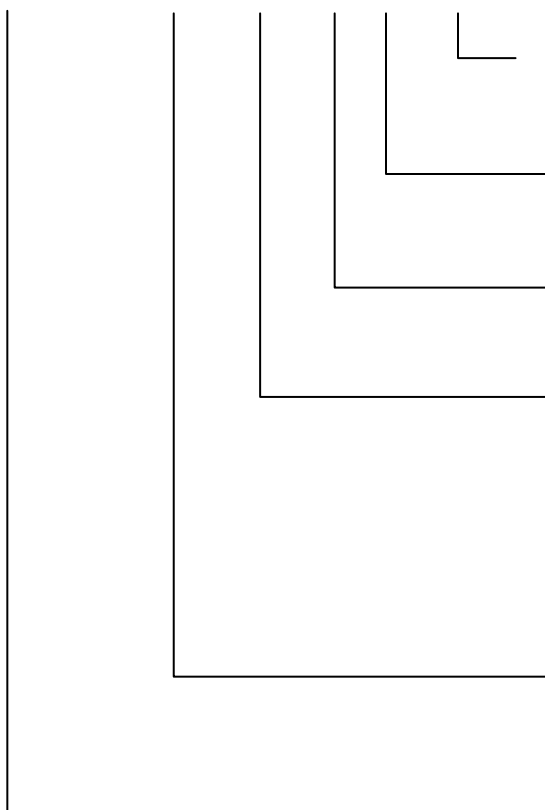
Note : 1. Coplanarity: 0.1 mm

Figure 53. PDIP8


SYMBOL	DIMENSION IN INCH		
	MIN.	NOR	MAX
A	---	---	0.210
A1	0.015	---	---
A2	0.125	0.130	0.135
D	0.355	0.365	0.400
E	0.300	0.310	0.320
E1	0.245	0.250	0.255
L	0.115	0.130	0.150
e_B	0.310	0.350	0.375
Θ^0	0	7	15

ORDERING INFORMATION

EN25Q40B - 104 G I P 2X



DIFFERENTIATION CODE

PACKAGING CONTENT

P = RoHS, Halogen-Free and REACH compliant

TEMPERATURE RANGE

I = Industrial (-40°C to +85°C)

PACKAGE

G = 8-pin 150mil SOP
 RB = 8-pin 150mil VSOP
 H = 8-pin 200mil SOP
 X = 8-pin USON (2x3x0.55 mm)
 XF = 8-pin USON (2x3x0.45 mm)
 W = 8-pin VDFN/ WSON (6x5mm)
 Q = 8-pin PDIP

SPEED

104 = 104 MHz

BASE PART NUMBER

EN = Eon Silicon Solution Inc.
 25Q = 3V Serial Flash with 4KB Uniform-Sector,
 Dual and Quad I/O
 40 = 4 Megabit (512K x 8)
 B = version identifier

Revisions List

Revision No	Description	Date
Advanced 0.1	Initial Release	2017/09/11
1.0	Delete Preliminary	2018/03/14
1.1	1. Modify voltage from 2.7V~3.6V to 2.4V~3.6V 2. Add some AC specifications for VCC under 2.7V 3. Revise PACKAGE MECHANICAL of USON (8L 2x3x0.55mm)	2018/07/27
1.2	Modify the packing dimension of SOP 200 mil (official name = 208 mil)	2018/10/04
1.3	1. Modify voltage from 2.7V~3.6V to 2.3V~3.6V 2. Add some AC specifications for VCC under 2.7V	2019/03/13
1.4	Delete Plastic Packages Temperature	2020/10/15
1.5	1. Modify the specification of Resume to another suspend timing 2. Correct SOP8 and VSOP8 150mil packing dimension	2020/12/01

Important Notice

All rights reserved.

No part of this document may be reproduced or duplicated in any form or by any means without the prior permission of ESMT.

The contents contained in this document are believed to be accurate at the time of publication. ESMT assumes no responsibility for any error in this document, and reserves the right to change the products or specification in this document without notice.

The information contained herein is presented only as a guide or examples for the application of our products. No responsibility is assumed by ESMT for any infringement of patents, copyrights, or other intellectual property rights of third parties which may result from its use. No license, either express, implied or otherwise, is granted under any patents, copyrights or other intellectual property rights of ESMT or others.

Any semiconductor devices may have inherently a certain rate of failure. To minimize risks associated with customer's application, adequate design and operating safeguards against injury, damage, or loss from such failure, should be provided by the customer when making application designs.

ESMT's products are not authorized for use in critical applications such as, but not limited to, life support devices or system, where failure or abnormal operation may directly affect human lives or cause physical injury or property damage. If products described here are to be used for such kinds of application, purchaser must do its own quality assurance testing appropriate to such applications.