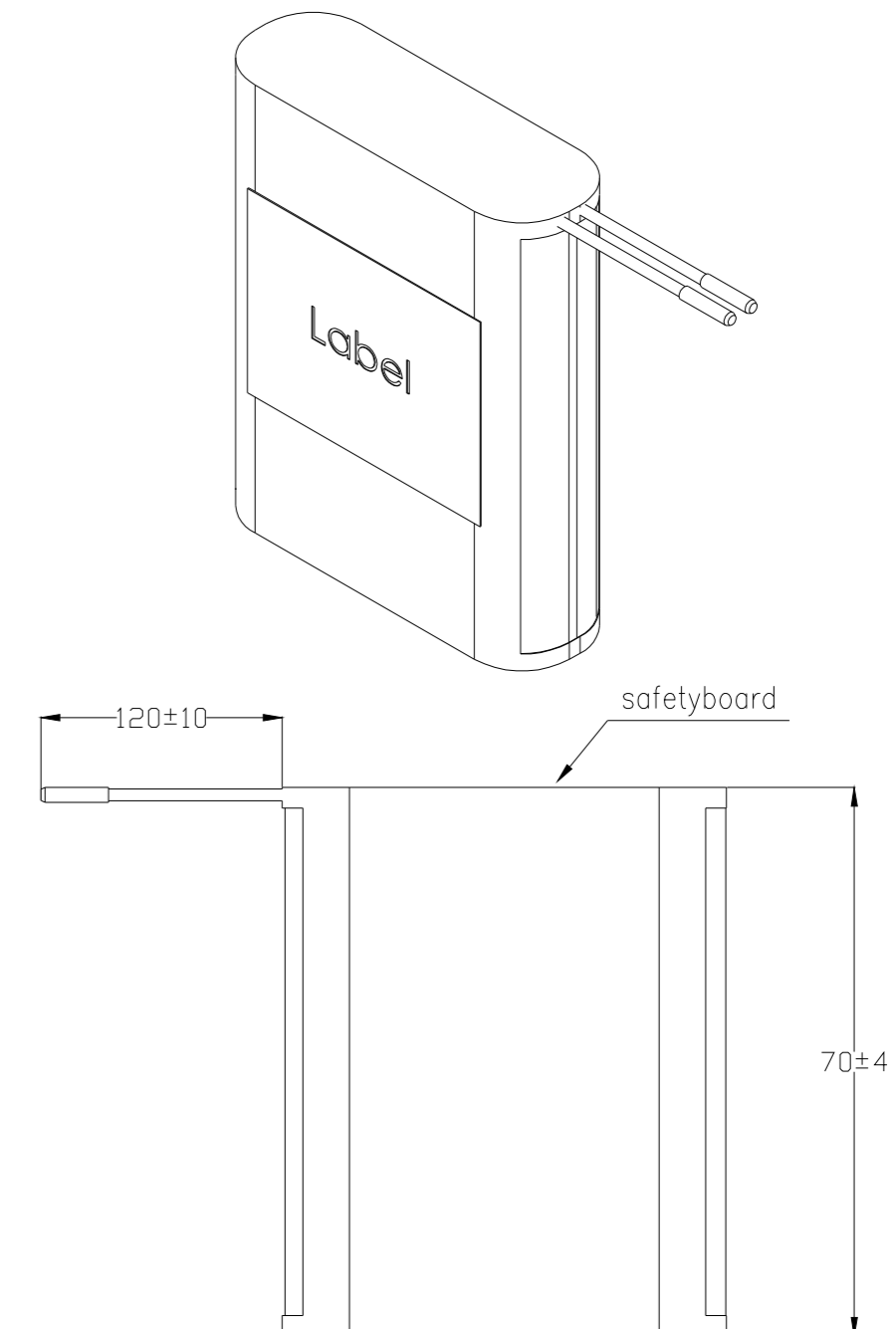
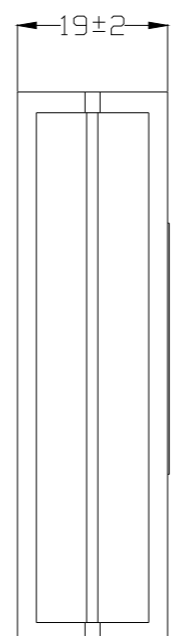
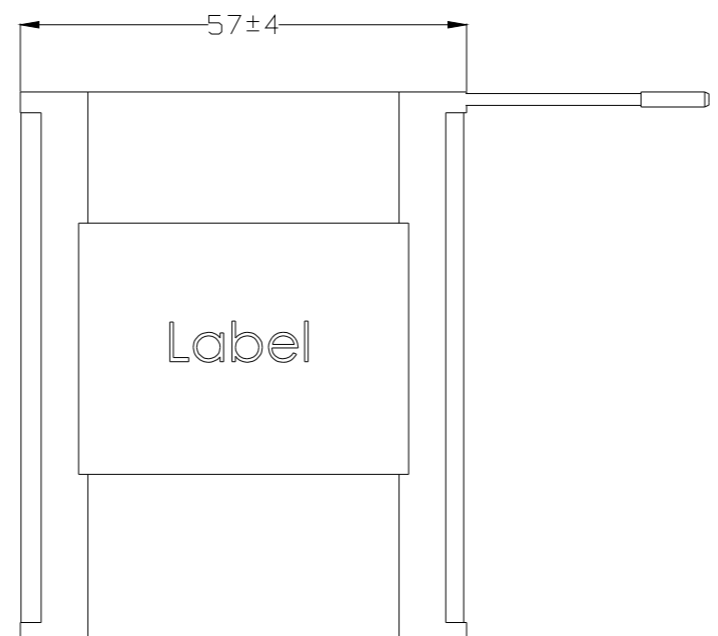
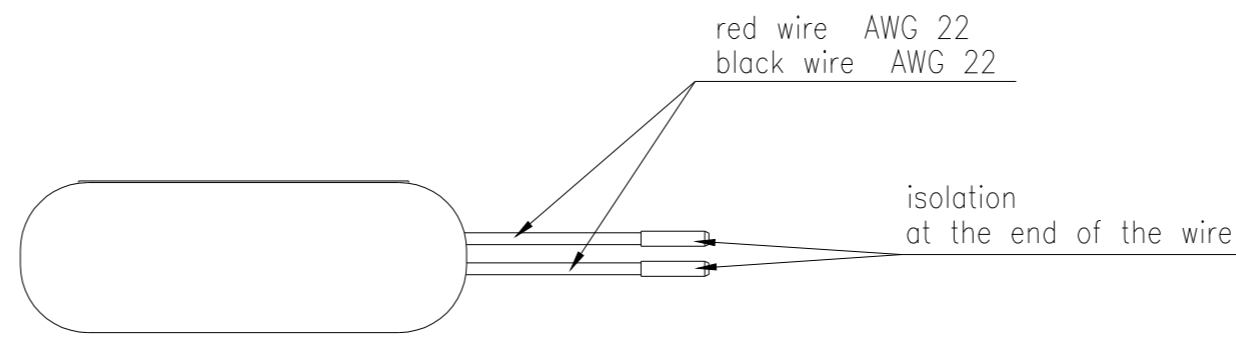


The upper annotations that, with the acceptance of this drawing, are in addition to what is stated in accordance with the drawing in reproducible form in the drawing. The lower annotations that, with the acceptance of this drawing, are in addition to what is stated in accordance with the drawing in reproducible form in the drawing. The upper annotations that, with the acceptance of this drawing, are in addition to what is stated in accordance with the drawing in reproducible form in the drawing. The lower annotations that, with the acceptance of this drawing, are in addition to what is stated in accordance with the drawing in reproducible form in the drawing.

Technische Daten/ technical data	: Akkupack/ batterypack
Chemie/ chemistry	: Lithium Ion
Zellenzahl/ no. of cells	: 3 Zellen/ cells INR18650 M26 LG ; 3S1P
Kapazität/ capacity	: nom. 2600mAh discharge at 0.2C min. 2500mAh discharge at 0.2C  ta:20°C; EV(Discharge End Voltage): 2.75V per cell
Innenwiderstand/ impedance	: < 240mOhm (battery and safetyboard)
Nominalspannung/ nominal voltage	: 10.8V
Standard Ladespannung/ standard charge voltage	: 12.6V±1%
Standard Entladespannung/ standard discharge voltage	: 8.25V
Nominaler Ladestrom/ nominal charge current	: 0.5C
Maximaler Ladestrom/ maximum charge current	: 1C
Ladeendstrom/ charge end current	: 0.01C recommended
Maximaler Entladestrom/ maximum discharge current	: 5A (limited by safety board)
Anwendungstemperaturbereich/ ambient temperature range	: 0°C...+45°C charge -20°C...+60°C discharge -20°C...+20°C storage max. 1 year -20°C...+45°C storage max. 3months
Selbstentladung/ self discharge	: ≤ 5% / month at 20°C ≤ 10% / month at 30°C ≤ 20% / month at 40°C
Standards/	: UN 3480, Subsection 38.3 All cells and batterypacks type tested according to UN manual of test and criteria subsection 38.3

Technische Daten/ technical data	: Sicherheitsschaltung/ safety board
Überladeschutzspannung/ over charge voltage detection	: 4.35V±25mV per cell
Wiedereinschaltspannung/ over charge release voltage	: 4.15V±50mV per cell
Entladeabschaltspannung/ over discharge detection voltage	: 2.4V±80mV per cell
Wiedereinschaltspannung/ over discharge release voltage	: 3V±100mV per cell
Nominaler Lade/Entladestrom / nominal operating current	: 5A
Entlade Abschaltstrom/ discharge cut off current	: 12A± 2A
Kurzschlusschutz/ short circuit protection	: gegen äußeren Kurzschluss/ against external short circuit
Temperaturumschalter/ temperature switch	: PTC: JK-P730 20V/ 7.3A at 25°C ; 6.2A at 40°C
MOSFET	: im Pluszweig in positive path
Rückstellkriterium/ release condition	: Last trennen, Aktiv nach Anladen/ cut load, release after charging up
Nettogewicht/ net weight	: 145g
Leiterplattenmaterial/ pcb material	: FR4
Standards	: CE



batterypack covered with 1 layer of blue shrinktube

Part Number	SAP Description
2447-3031-02	Li-Ion-10.8V-2600mAh-3S1P-M26
2447-3031-202	Li-Ion-10.8V-2600mAh-3S1P-M26/UK

Verwendungsbereich/Application range für Anfrage/for inquiry AN-IS-2013-00423		Zut. Abweichung/ Allowable deviation	Oberfläche/ Surface	Maßstab/Scale (DIN A2): 1:1	Gewicht/Weight
		Allgemeintoleranz DIN ISO 2768-m		Werkstoff/Work material, Modell-Nr.	
		2019 Datum/Date	Name	Zeichnungsname/Drawing name	
		Erstellt/ Drawn by	25.01.	MSt	Li-Ion Battery 10.8V 2600mAh with safetyboard
V2	change request: DE-20-5013	24.03.'20	MSt	Zeichnungsnummer/Drawing number	
V1	part number overview added	15.04.19	DS	Artikelnummer/Part number	
V0	---	XX.XX.XX	XX	2447-3031-X02	
Version	Anderung/Change	Datum/Date	Name	Ursprung/Origin Proj. IS-2013-00423	Ersatz für/Replaced by
				Ersatz durch/Replacement through	Blatt/ Sheet 1

