

The upper acknowledges that, with the acceptance of this drawing, he is in a position to manufacture the component in accordance with the drawing in reproducible quantities. The drawing is not a contract. Verbal agreements over and above that are not valid. Deviations from this rule must be written and must be signed by the purchaser.

Technische Daten/  
technical data : Akkupack/  
batterypack  
Chemie/  
chemistry : Lithium Ion  
Zellenzahl/  
no. of cells : 4 Zellen/ cells ; 2S2P  
Zellentyp/  
cell type : INR18650 M26 LG  
Kapazität/  
capacity : nom. 5200mAh discharge at 0.2C  
min. 5000mAh discharge at 0.2C  
ta:20°C; EV(Discharge End Voltage): 2.75V per cell

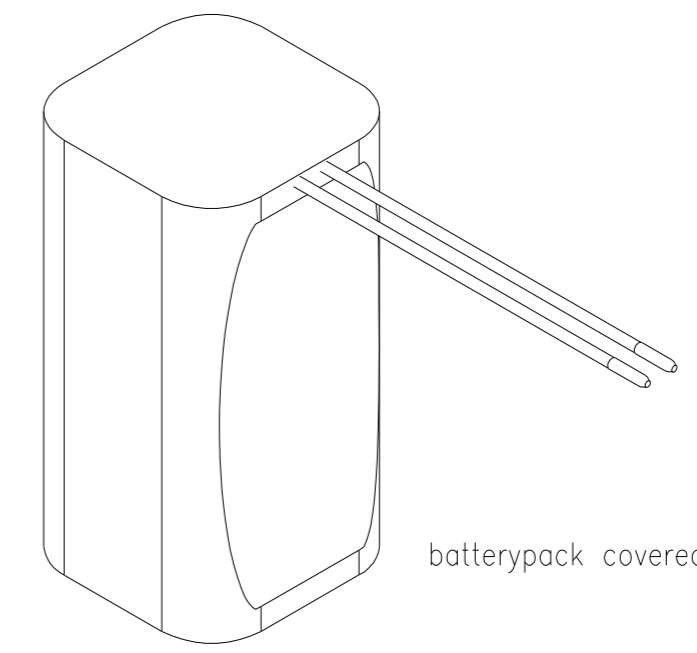
Innenwiderstand/  
impedance : < 100mOhm (battery and safetyboard)  
Nominalspannung/  
nominal voltage : 7.2V  
Standard Ladespannung/  
standard charge voltage : 8.4V±1%  
Standard Entladespannung/  
standard discharge voltage : 5.5V  
Nominaler Ladestrom/  
nominal charge current : 0.5C  
Maximaler Ladestrom/  
maximum charge current : 5000mA (limited by safetyboard)  
Ladeendstrom/  
charge end current : 0.01C recommended  
Maximaler Entladestrom/  
maximum discharge current : 5000mA (limited by safetyboard)  
Anwendungstemperaturbereich/  
ambient temperature range : 0°C...+45°C charge  
-20°C...+60°C discharge  
-20°C...+20°C storage max. 1 year  
-20°C...+45°C storage max. 3months

Selbstentladung/  
self discharge : ≤ 5% / month at20°C  
≤ 10% / month at30°C  
≤ 20% / month at40°C

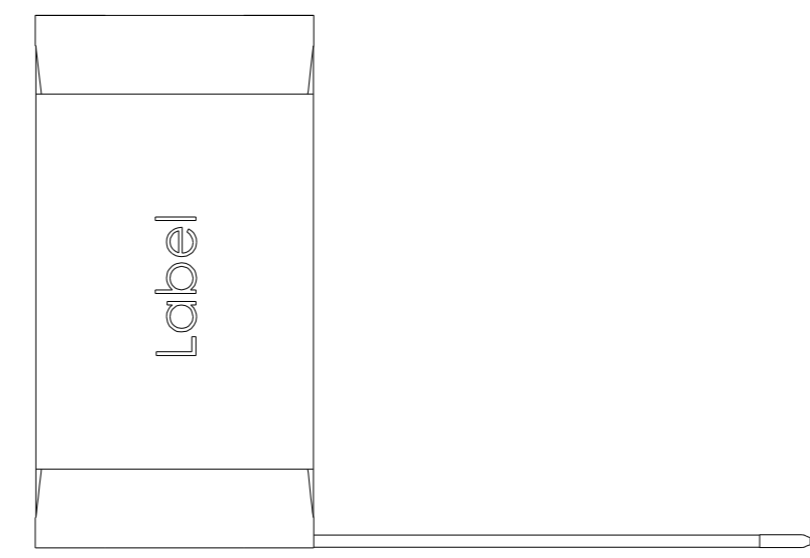
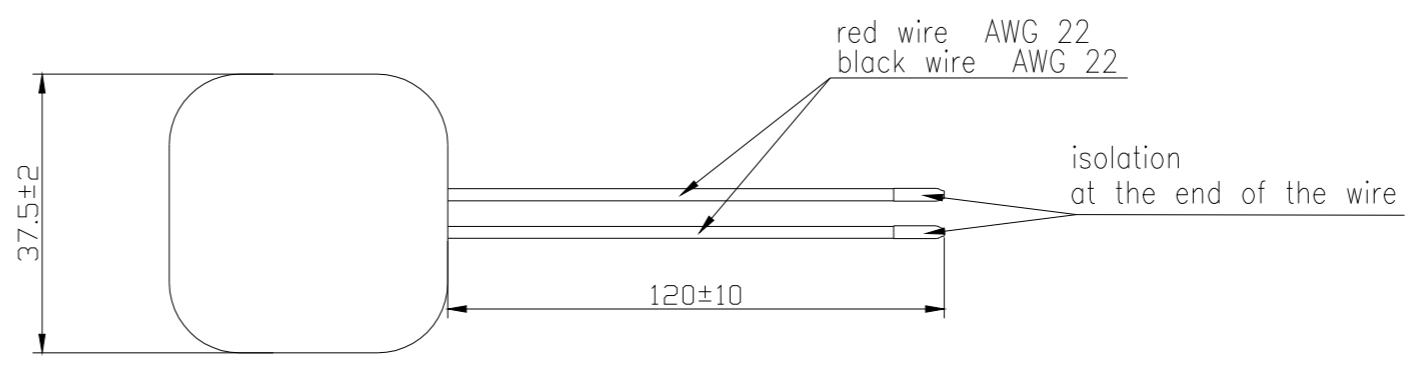
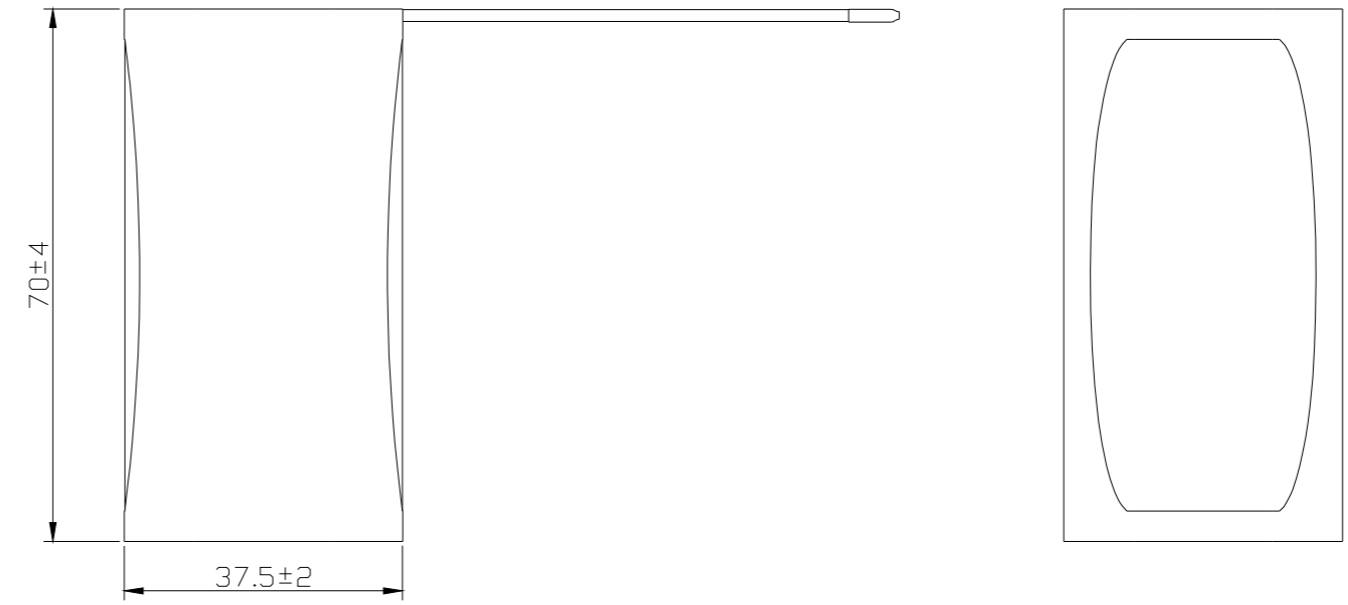
Standards/  
 : UN 3480, Subsection 38.3  
All cells and batterypacks type tested according to UN manual of test and criteria subsection 38.3

Technische Daten/  
technical data : Sicherheitsschaltung/  
safety board

Überladeschutzspannung/  
over charge voltage detection : 4.3V±25mV per cell  
Wiedereinschaltspannung/  
over charge release voltage : 4.1V±50mV per cell  
Entladeabschaltspannung/  
over discharge detection voltage : 2.4V±50mV per cell  
Wiedereinschaltspannung/  
over discharge release voltage : 3.0V±100mV per cell  
Nominaler Lade/Entladestrom/  
nominal operating current : 5A  
Entlade Abschaltstrom/  
discharge cut off current : 13A± 3A  
Kurzschlusschutz/  
short circuit protection : gegen äußeren Kurzschluss/  
against external short circuit  
Temperaturerhalter/  
temperature switch : PTC: JK-P730 20V/ 7.3A at 25°C ; 6.2A at 40°C  
MOSFET : in Masse  
in Gnd  
Rückstellkriterium/  
release condition : Last trennen, Aktiv nach Anladen/  
cut load, release after charging up  
Nettogewicht/  
net weight : 196g  
Leiterplattenmaterial/  
pcb material : FR4  
Standards : CE



batterypack covered with 2 layers of blue shrinktube



Part Number	SAP Description
2447-3049-02	Li-Ion-7.2V-5200mAh-2S2P-Block-M26
2447-3049-202	Li-Ion-7.2V-5200mAh-2S2P-Block-M26/UK

Verwendungsbereich/Application range für Anfrage/for inquiry IS-2013-001430		Zut. Abweichung/ Allowable deviation	Oberfläche/ Surface	Maßstab/Scale (DIN A2): 1:1	Gewicht/Weight
		Allgemeintoleranz DIN ISO 2768-m		Werkstoff/Work material, Modell-Nr.	
		2019	Datum/Date	Name	
		Erstellt/ Drawn by	25.01.	MSt	
		Zeichnungsname/Drawing name Li-Ion Battery 7.2V 5200mAh with safetyboard			
		Zeichnungsnummer/Drawing number Artikelnummer/Part number 2447-3049-X02			Blatt/ Sheet 1
V2	change request: DE-20-5013	24.03.20	MSt		
V1	part number overview added	15.04.19	DS		
V0	---	XX.XX.XX	XX		
Version	Anderung/Change	Datum/Date	Name	Ursprung/Origin Proj. IS-2013-00430	Ersatz für/Replaced by

